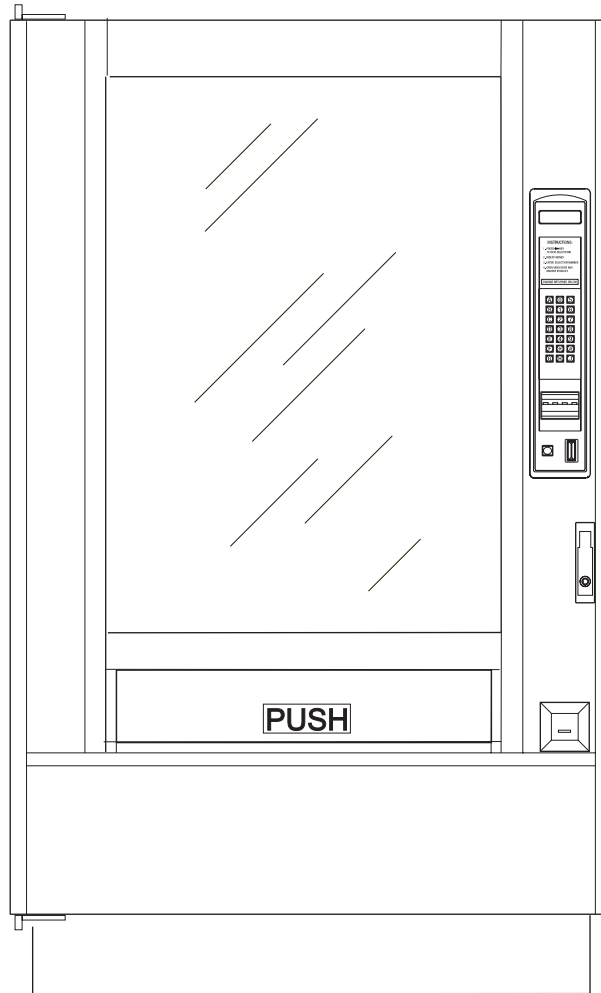


Model 490

Snackcombo II



490P0025

PARTS MANUAL

12955 Enterprise Way
Bridgeton, Missouri 63044-1200
(314) 298-3500

4900034

Copyright © 9-99

Snackcombo II Parts Manual

List of Figures

Figure	Title	Page
1.	490 Merchandiser	1
2.	Trim Style - Trim Panels	2
3.	Trim Style - Trim	4
4.	Coin Receptacle Assembly	6
5.	Standard Door Assembly	8
6.	Generation Door Assembly	10
7.	Light Assembly - Upper Door	12
8.	Door Assembly - With Refrig/Frozen Food Module	14
9.	Fluorescent Side Light Assembly	16
10.	Door Lock and Handle Assembly (Imperial Crown and Signature Styles)	18
11.	Gum and Mint Assembly	20
12.	Delivery Pan Assembly	24
13.	Delivery Pan Latch Mechanism - Part 1 of 2 (Food Module Equipped Machines Only)	28
14.	Delivery Pan Latch Mechanism - Part 2 of 2 (Food Module Equipped Machines Only)	30
20.	Base Plate Assembly	34
21.	Common Cabinet (Part 1 of 3)	36
22.	Common Cabinet (Part 2 of 3)	38
23.	Common Cabinet (Part 3 of 3)	40
24.	Leg, Leveler, and Leg and Hinge Assemblies	42
25.	Power Panel Assembly - U.S.	44
26.	Power Panel Assembly - U.K.	46
27.	Power Panel Assembly - China	48
28.	Monetary Panel Assembly (Part 1 of 3)	50
29.	Monetary Panel Assembly (Part 2 of 3)	52
30.	Monetary Panel Assembly (Part 3 of 3)	54
31.	Monetary Inserts	57
32.	Card Reader and Bill Validator Combinations	58
33.	Candy Tray Assembly (Part 1 of 2)	62
34.	Candy Tray Assembly (Part 2 of 2)	64
35.	Snack Tray Assembly (Part 1 of 2)	66
36.	Snack Tray Assembly (Part 2 of 2)	68
37.	Gum and Mint Tray Assembly (Part 1 of 2)	70
38.	Gum and Mint Tray Assembly (Part 2 of 2)	72
39.	Can and Refrigeration Module	74
42.	Can Unit Frame Assembly	78
43.	Can Compartment Assembly	80
44.	Motor and Ejector Mounting Channel Assembly	82
45.	Refrigerated Food Module and Housing Assembly	84
46.	Major Components - Refrigerated Food Module	86
48.	Food Module Door Frame Assembly	90
49.	Refrigerated and Frozen Food Module - Interior View (Part 1 of 2)	92
50.	Refrigerated and Frozen Food Module - Interior View (Part 2 of 2)	94
51.	General Tray Assemblies - Refrigerated Food Module	96
52.	Pusher Module Assembly	98
53.	Belt Module Assembly	100
54.	Spiral Module Assembly	102
55.	Door Assembly - Refrigerated Food Module	104
56.	Left Hand Drive Arm Assembly	106
57.	Right Hand Drive Arm Assembly	108

Snackcombo II Parts Manual

Figure	Title	Page
58.	Motor Mounting Bracket Assembly	110
60.	Accessories (Door Lock Guard)	112
61.	Accessories (Harnesses)	113
63.	Wiring Harnesses	115

Snackcombo II Parts Manual

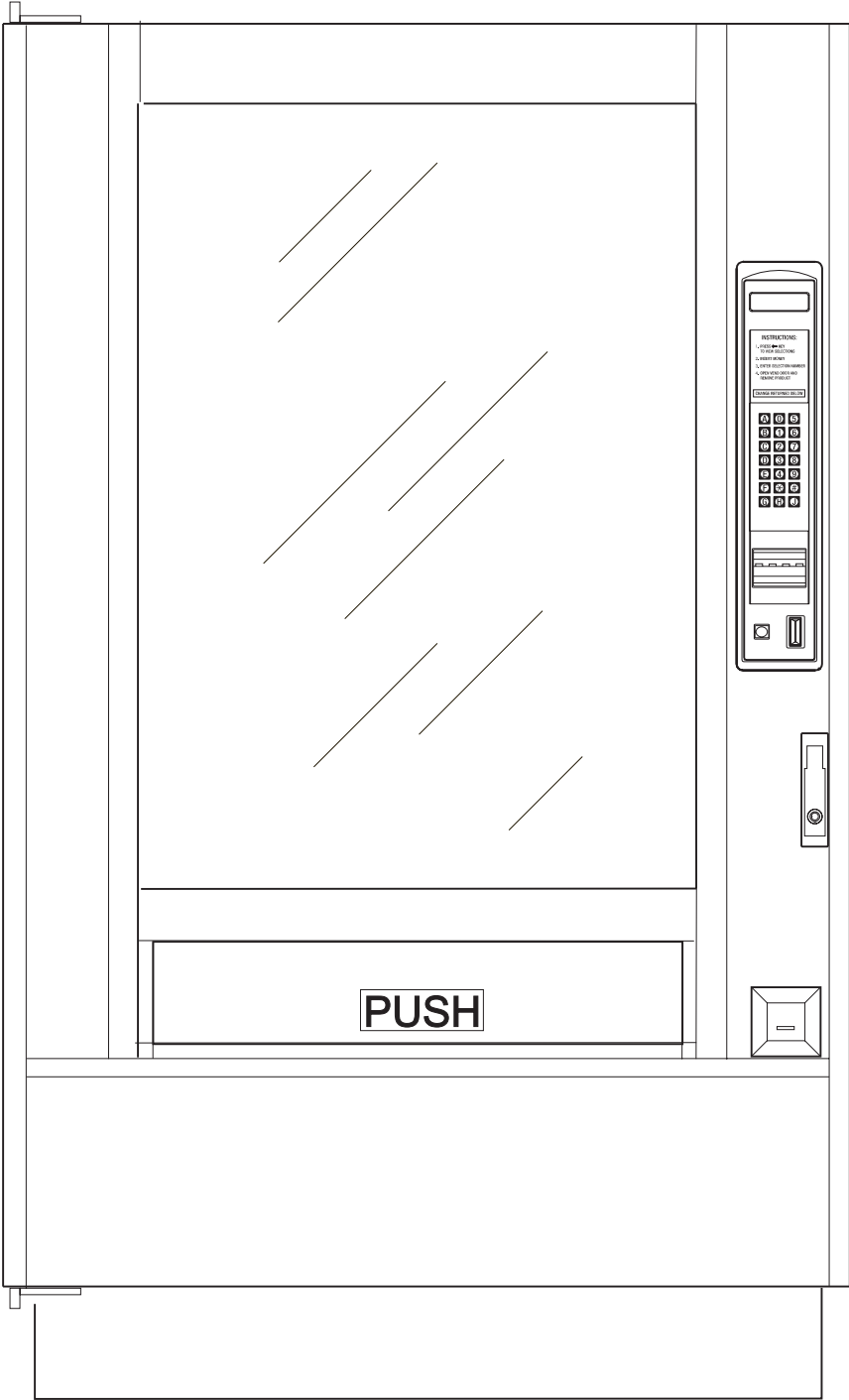
List of Tables

Table	Title	Page
2.	Trim Style - Trim Panels	3
3.	Trim Style - Trim.....	5
4.	Coin Receptacle Assembly	7
5.	Standard Door Assembly	9
6.	Generation Door Assembly	11
7.	Light Assembly - Upper Door	13
8.	Door Assembly - With Refrig/Frozen Food Module.....	15
9.	Fluorescent Side Light Assembly	17
10.	Door Lock and Handle Assembly (Imperial Crown and Signature Styles).....	19
11.	Gum and Mint Assembly	21
12.	Delivery Pan Assembly	25
13.	Delivery Pan Latch Mechanism - Part 1 of 2 (Food Module Equipped Machines Only)	29
14.	Delivery Pan Latch Mechanism - Part 2 of 2 (Food Module Equipped Machines Only)	31
15.	Bag Assembly B4900010 (U.S. Machines With Can Module).....	31
16.	Bag Assembly B4900013 (U.S. Machines With Food Module)	32
17.	Bag Assembly B4900011 (South American Machines With Can Module) - Spanish	32
18.	Bag Assembly B4900014 (South American Machines With Food Module) - Spanish	33
18.	Bag Assembly B4900012 (South American Machines With Food Module) - English.....	33
20.	Base Plate Assembly.....	35
21.	Common Cabinet (Part 1 of 3).....	37
22.	Common Cabinet (Part 2 of 3).....	39
23.	Common Cabinet (Part 3 of 3).....	41
24.	Leg, Leveler, and Leg and Hinge Assemblies	43
25.	Power Panel Assembly - U.S.	45
26.	Power Panel Assembly - U.K.	47
27.	Power Panel Assembly - China	49
28.	Monetary Panel Assembly (Part 1 of 3)	51
29.	Monetary Panel Assembly (Part 2 of 3)	53
30.	Monetary Panel Assembly (Part 3 of 3)	55
32.	Card Reader and Bill Validator Combinations.....	59
32A.	Monetary Location Options.....	59
32B.	Bill Validator Options	60
32C.	Coin Mechanism Options	61
33.	Candy Tray Assembly (Part 1 of 2).....	63
34.	Candy Tray Assembly (Part 2 of 2).....	65
35.	Snack Tray Assembly (Part 1 of 2).....	67
36.	Snack Tray Assembly (Part 2 of 2).....	69
37.	Gum and Mint Tray Assembly (Part 1 of 2).....	71
38.	Gum and Mint Tray Assembly (Part 2 of 2).....	73
38A.	Spiral Options	73
38B.	Price Rolls For Trays.....	73
39.	Can and Refrigeration Module	75
40.	Refrigeration Module Assembly - Can (110V) - No Chill.....	76
41.	Refrigeration Module Assembly - Can - Ambient - 230 V - Final.....	77
42.	Can Unit Frame Assembly.....	79
43.	Can Compartment Assembly	81
44.	Motor and Ejector Mounting Channel Assembly	83
45.	Refrigerated Food Module and Housing Assembly	85
46.	Major Components - Refrigerated Food Module	87

Snackcombo II Parts Manual

Table	Title	Page
46.	Refrigeration Module Assembly - Food (110V).....	88
47.	Refrigeration Module Assembly - Refrigerated Food - Ambient - 230 V - Final	89
48.	Food Module Door Frame Assembly	91
49.	Refrigerated and Frozen Food Module - Interior View (Part 1 of 2).....	93
50.	Refrigerated and Frozen Food Module - Interior View (Part 2 of 2).....	95
51.	General Tray Assemblies - Refrigerated Food Module	97
52.	Pusher Module Assembly	99
53.	Belt Module Assembly	101
54.	Spiral Module Assembly	103
54A.	Spiral Options (For Refrig. / Frozen Food Trays)	103
55.	Door Assembly - Refrigerated Food Module	105
56.	Left Hand Drive Arm Assembly.....	107
57.	Right Hand Drive Arm Assembly	109
58.	Motor Mounting Bracket Assembly	111
59.	Money Box Lock Assembly	111
60.	Accessories (Door Lock Guard)	112
62.	Power Cords.....	114

Snackcombo II Parts Manual



490P0025

Figure 1. 490 Merchandiser

Snackcombo II Parts Manual

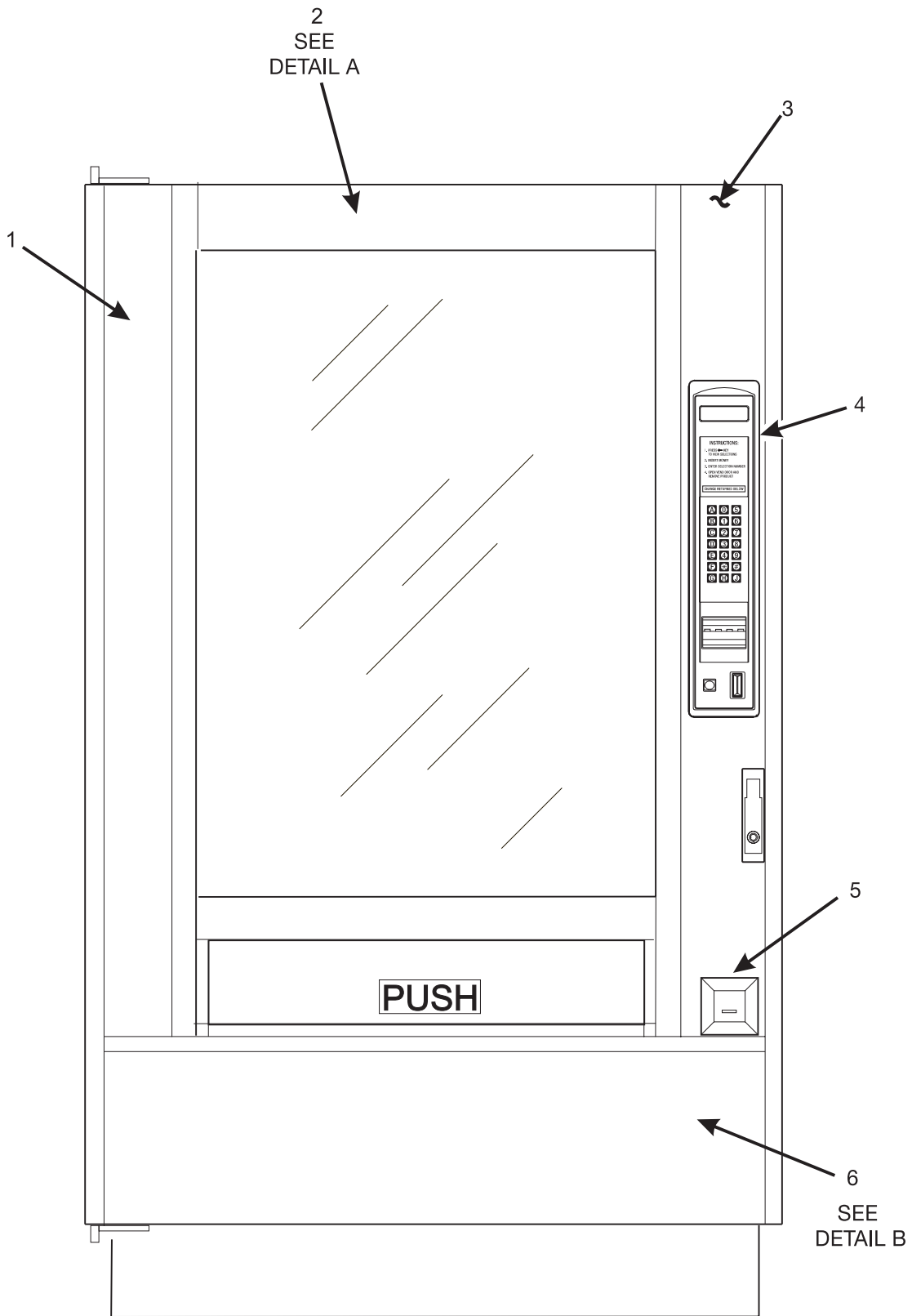
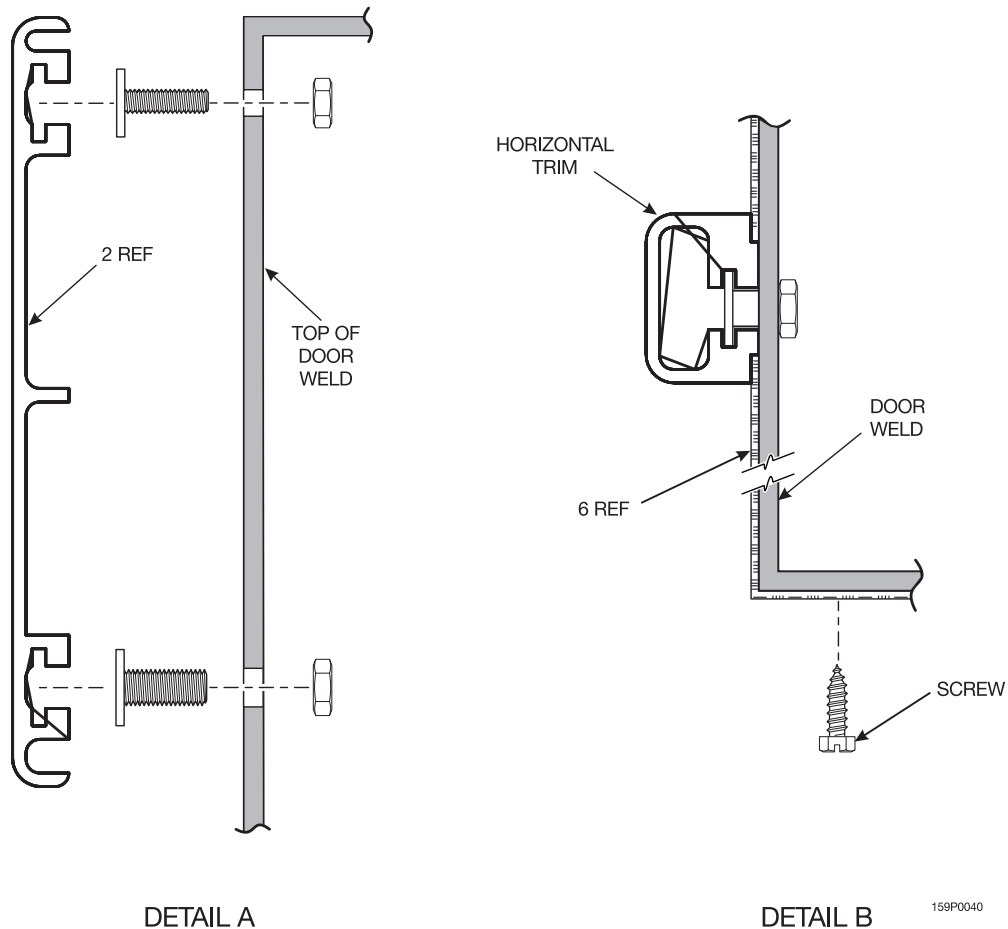


Figure 2. Trim Style - Trim Panels

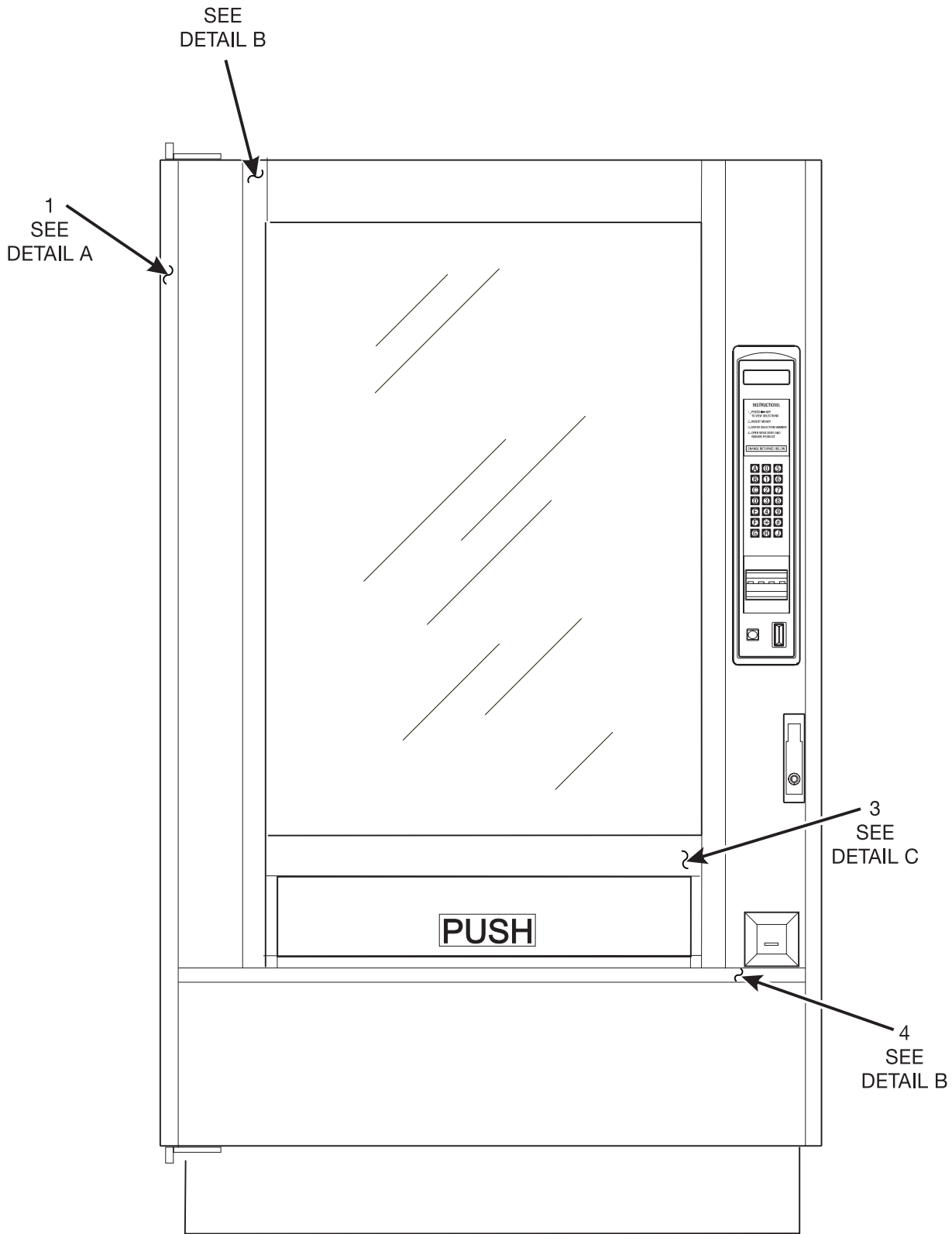
Snackcombo II Parts Manual

TABLE 2. TRIM STYLE - TRIM PANELS

INDEX	PART NUMBER	DESCRIPTION	QTY.
1	1592039	LEFT HAND TRIM PANEL - T. LIGHT GRAY	1
	1592045	LEFT HAND TRIM PANEL - T. BLACK	
	1592036	LEFT HAND TRIM PANEL - SPECIAL COLOR	
2	1602029	TOP TRIM PANEL - T. MEDIUM GRAY (160)	1
	1602040	TOP TRIM PANEL - T. BLACK (160)	
	1602028	TOP TRIM PANEL - SPECIAL COLOR (160 ONLY)	
3	1592038	RIGHT HAND TRIM PANEL - T. LIGHT GRAY	1
	1592044	RIGHT HAND TRIM PANEL - T. BLACK	
	1592035	RIGHT HAND TRIM PANEL - SPECIAL COLOR (160 ONLY)	
4	1575047	CASTING - MONETARY FRAME - BLACK	1
5	1572011	TRIM - COIN CUP - BLACK	1
6	1602036	BOTTOM TRIM PANEL - T. MEDIUM GRAY (160)	1
	1602041	BOTTOM TRIM PANEL - T. BLACK (160)	
	1602035	BOTTOM TRIM PANEL - SPECIAL COLOR (160 ONLY)	



Snackcombo II Parts Manual



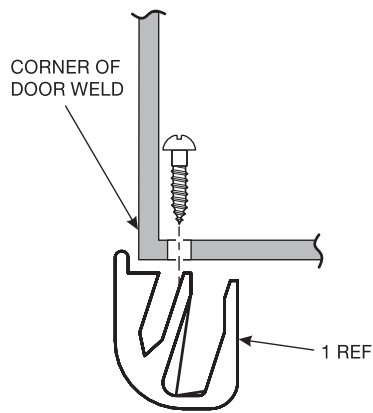
490P0023

Figure 3. Trim Style - Trim

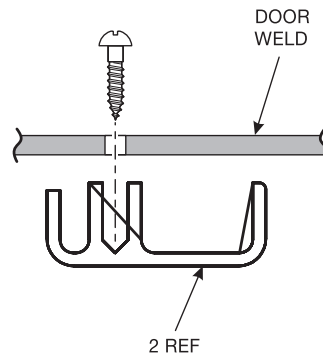
Snackcombo II Parts Manual

TABLE 3. TRIM STYLE - TRIM

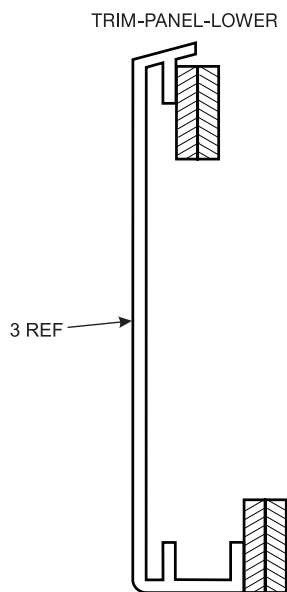
INDEX	PART NUMBER	DESCRIPTION	QTY.
1	1592032	TRIM - DOOR - SIDE - CLEAR	2
	1592069	TRIM - DOOR - SIDE - BLACK	
2	1592031	TRIM - DOOR - INSIDE - CLEAR	2
	1592068	TRIM - DOOR - INSIDE - BLACK	
3	1602037	TRIM PANEL - GLASS - LOWER - BLACK	1
4	1602030	TRIM - DOOR - HORIZONTAL - CLEAR	1
	1602016	TRIM - DOOR - HORIZ - BLACK	



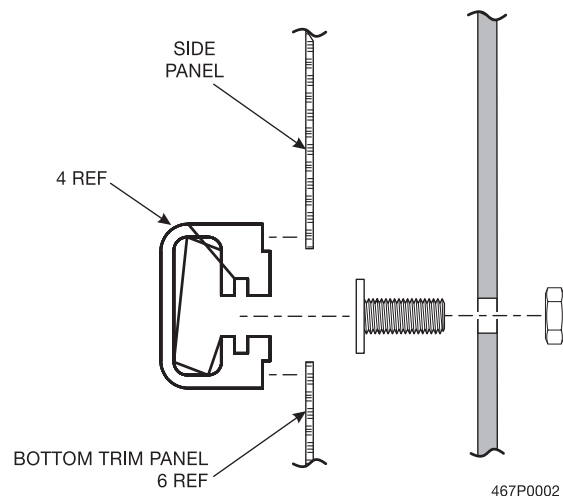
DETAIL A



DETAIL B



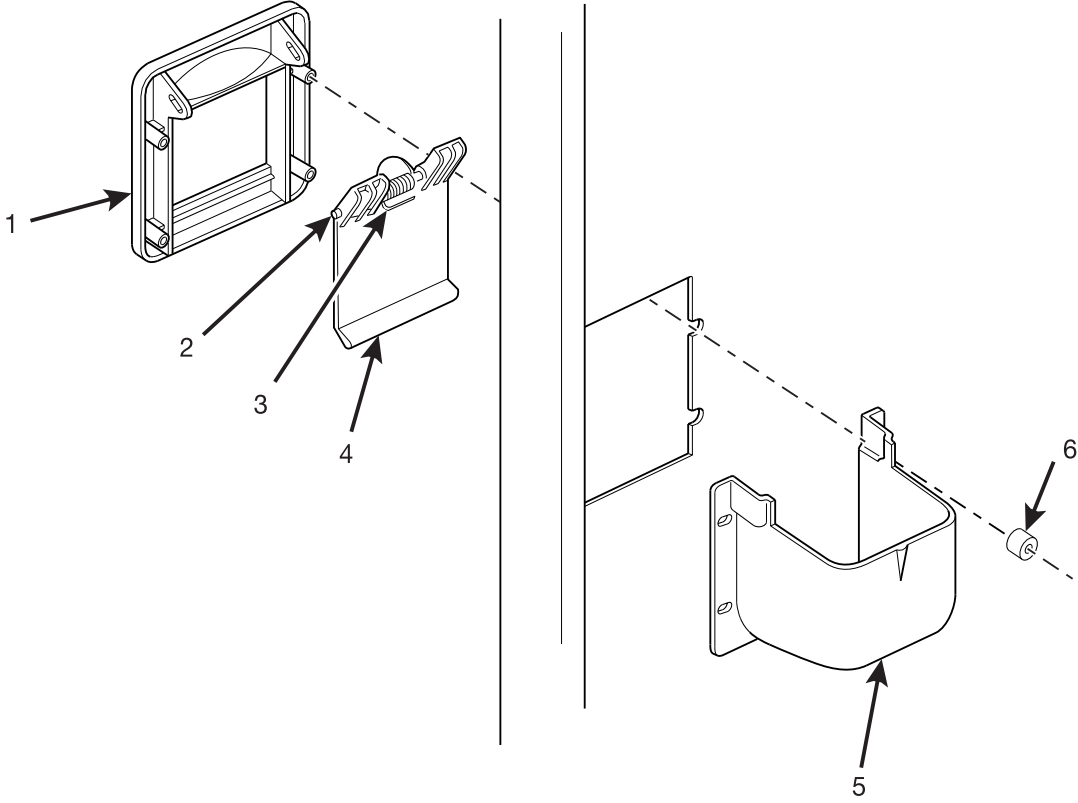
DETAIL C



DETAIL D

Figure 3A. Trim Details

Snackcombo II Parts Manual



157p0119

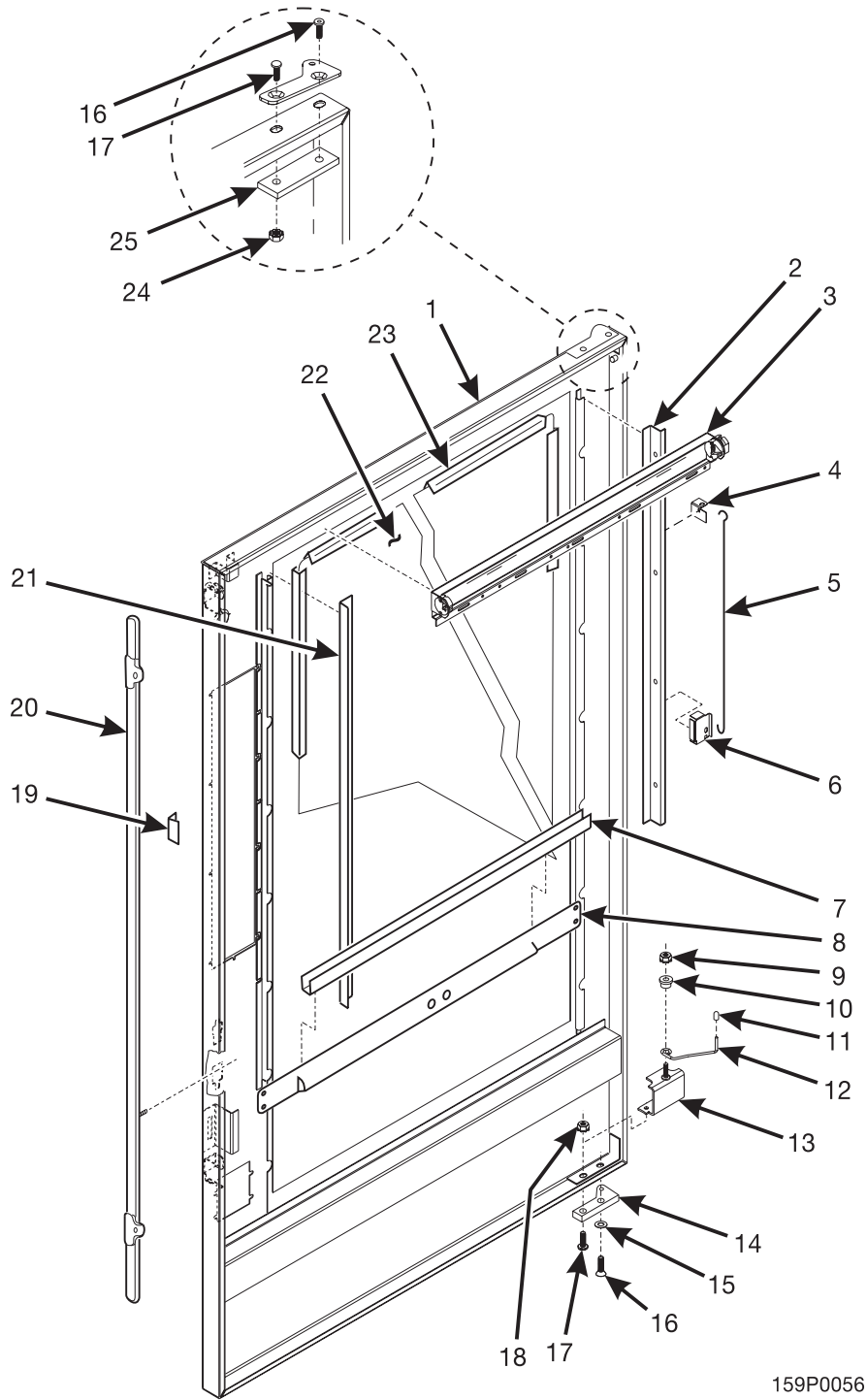
Figure 4. Coin Receptacle Assembly

Snackcombo II Parts Manual

TABLE 4. COIN RECEPTACLE ASSEMBLY

INDEX	PART NUMBER	DESCRIPTION	QTY.
1	1572011	TRIM - COIN RECEPTACLE	1
2	4245084	SHAFT - DOOR - COIN RETURN	1
3	4245083	SPRING - COIN RETURN DOOR	1
4	4245082	GATE - COIN RETURN	1
5	1572010	CUP - COIN RETURN	1
6	2302053	SPACER - CUP	4

Snackcombo II Parts Manual



159P0056

Figure 5. Standard Door Assembly

Snackcombo II Parts Manual

TABLE 5. STANDARD DOOR ASSEMBLY

INDEX	PART NUMBER	DESCRIPTION	QTY.
1	1582069	WELD ASSEMBLY - STANDARD DOOR	1
2	1582009	RETAINER - GLASS	1
3	1702003	LIGHT ASSEMBLY - UPPER - DOOR	1
4	1572028	RETAINER - ROD SUPPORT - COMMON	1
5	1479140	ROD - SUPPORT - GUM & MINT	1
6	1572027	SUPPORT - PROP ROD - COMMON	1
7	1462008	CHANNEL - GLASS - LOWER	1
8	1602026	STANDARD PANEL ASSEMBLY - GLASS - LOWER (160)	1
9	1211105	1/4-20 KEPS NUT EXT LW ZP	1
10	1142017	BUSHING - DOOR CHECK	1
11	1571037	CAP - VINYL - .281 ID X .50 LONG	1
12	1572009	ROD - DOOR CHECK	1
13	1572007	WELD ASSEMBLY - DOOR CHECK	1
14	6232031	HINGE ASSEMBLY - DOOR - LOWER	1
15	4242145	BEARING - THRUST - LOWER HINGE	1
16	6232036	SCREW - 5/16-18 X .75 FLAT HEAD SOCKET	1
17	6232208	WELD SCREW - #1/4-20 X 1" LG	1
18	1211105	1/4 - 20 KEPS NUT EXT LW ZP	1
19	1472250	GUIDE - LOCK BAR	1
20	1472178	LOCK BAR ASSEMBLY	1
21	1472048	PLATE - GLASS RETAINING	1
22	1582075	GLASS - DISPLAY	1
	1462014	LEXAN DISPLAY GLASS (AVAILABLE ACCESSORY)	OPT.
23	1412002	CHANNEL - GLASS - HOR. & VERT. - 105.25 IN. LONG	-
24	1211105	NUT	1
25	6232028	PLATE ASSEMBLY - HINGE MOUNTING	1

Snackcombo II Parts Manual

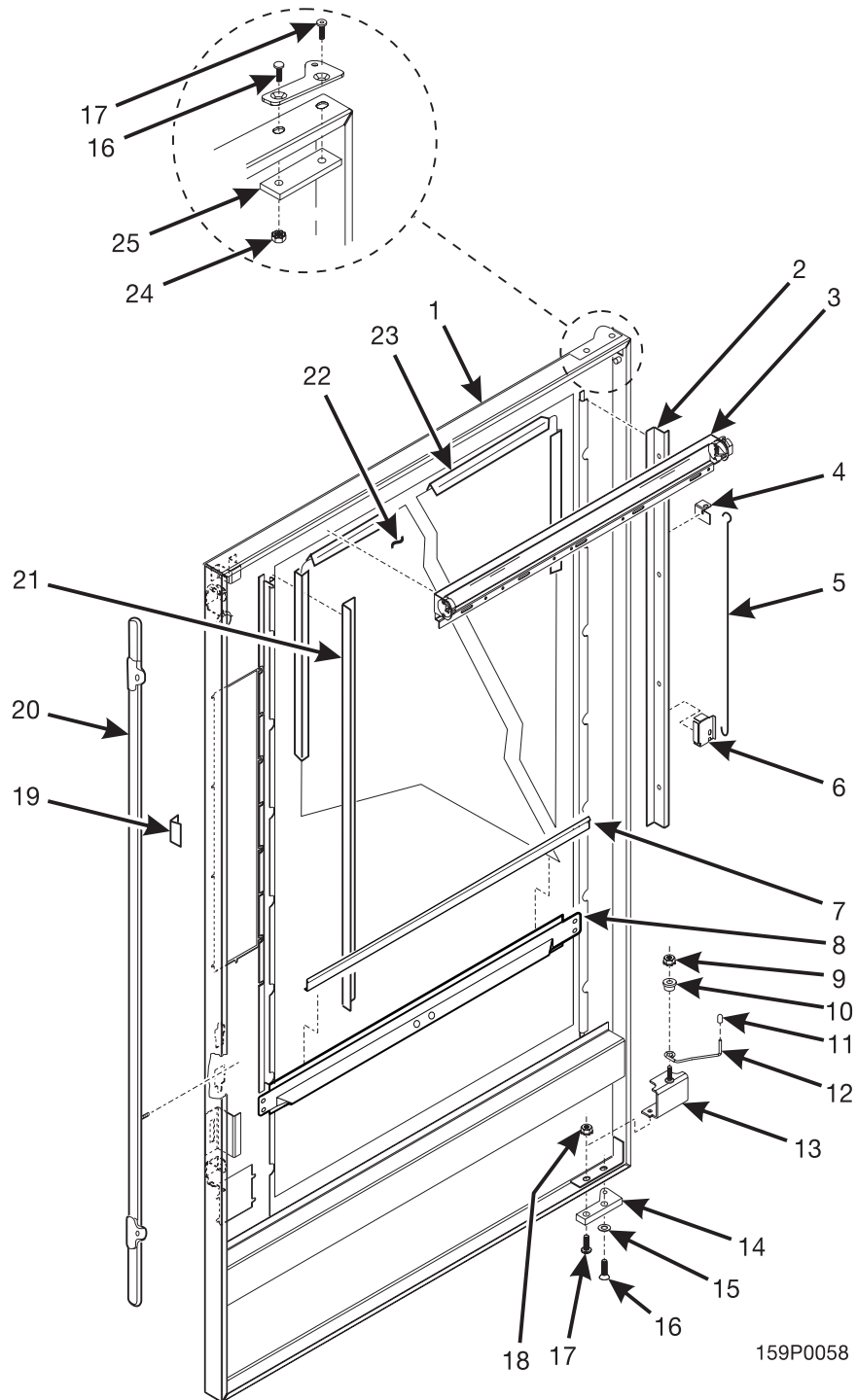


Figure 6. Generation Door Assembly

Snackcombo II Parts Manual

TABLE 6. GENERATION DOOR ASSEMBLY

INDEX	PART NUMBER	DESCRIPTON	QTY.
1	1602050	WELD ASSEMBLY - GENERATION DOOR (160)	1
2	1572020	RETAINER - GLASS	1
3	1582004	LIGHT ASSEMBLY - UPPER - DOOR (20 W)	1
4	1572028	RETAINER - ROD SUPPORT - COMMON	1
5	1479140	ROD - SUPPORT - GUM & MINT	1
6	1572027	SUPPORT - PROP ROD - COMMON	1
7	1592073	CHANNEL - GLASS - LOWER	1
8	1602053	PANEL ASSEMBLY - GLASS - LOWER	1
9	1211105	1/4-20 KEPS NUT EXT LW ZP	1
10	1142017	BUSHING - DOOR CHECK	1
11	1571037	CAP - VINYL - .281 ID X .50 LONG	1
12	1572009	ROD - DOOR CHECK	1
13	1572007	WELD ASSEMBLY - DOOR CHECK	1
14	6232031	HINGE ASSEMBLY - DOOR - LOWER	1
15	4242145	BEARING - THRUST - LOWER HINGE	1
16	6232036	SCREW - 5/16-18 X .75 FLAT HEAD SOCKET	1
17	6232208	WELD SCREW - #1/4-20 X 1" LG	1
18	1211105	1/4 - 20 KEPS NUT EXT LW ZP	1
19	1592056	GUIDE - LOCK BAR	1
20	1472178	LOCK BAR ASSEMBLY	1
21	1472048	PLATE - GLASS RETAINING	1
22	1582075	GLASS - DISPLAY	1
22	1582089	LEXAN DISPLAY GLASS (AVAILABLE ACCESSORY)	OPT.
23	2222124	CHANNEL - GLASS - HOR. & VERT. - 106.16 IN. LONG	-
24	1211105	NUT	1
25	6232028	PLATE ASSEMBLY - HINGE MOUNTING	1

Snackcombo II Parts Manual

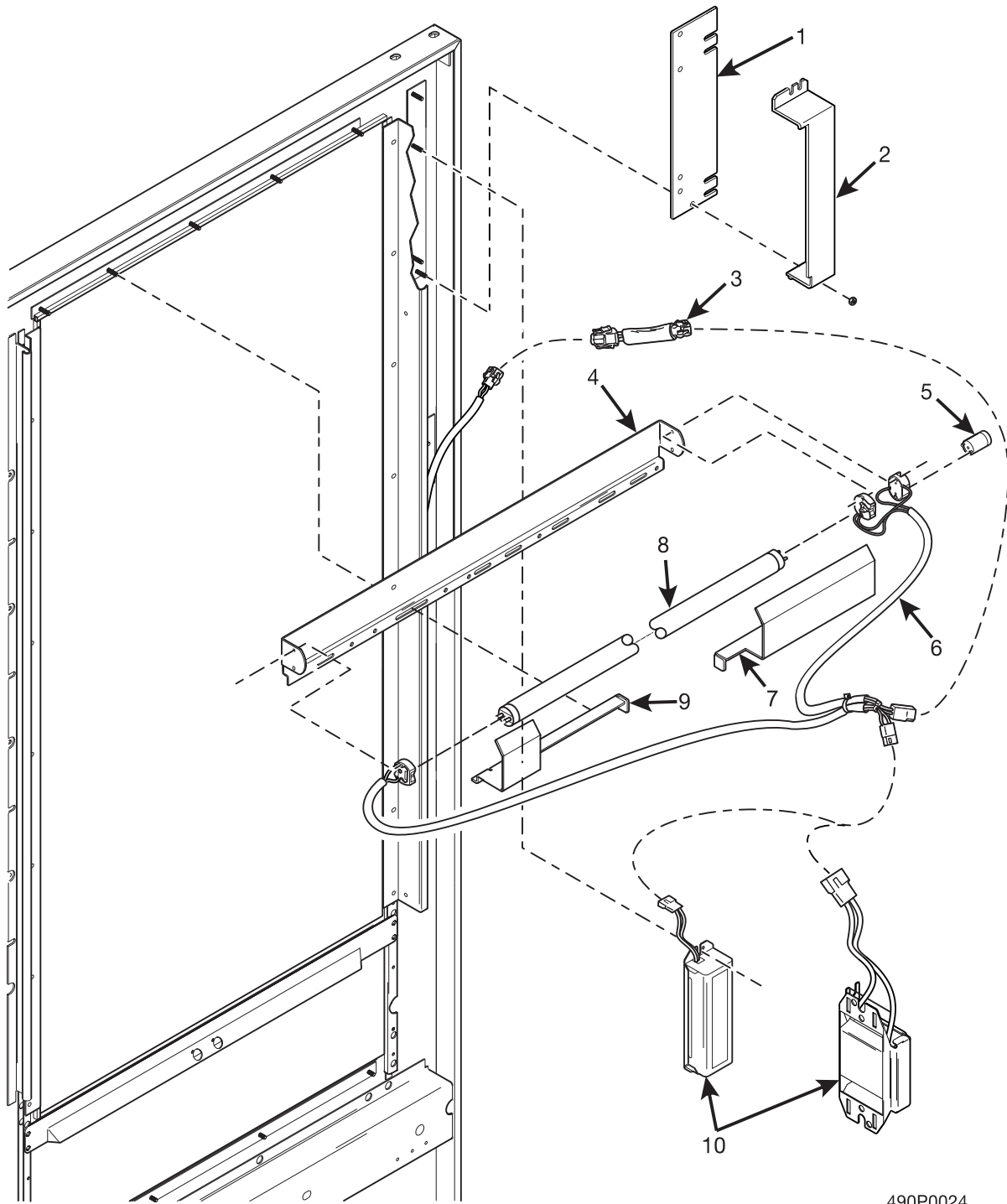


Figure 7. Light Assembly - Upper Door

Snackcombo II Parts Manual

TABLE 7. LIGHT ASSEMBLY - UPPER DOOR

INDEX	PART NUMBER	DESCRIPTION	QTY.
-	1702003	LIGHT ASSEMBLY-UPPER-DOOR (20W)	1
1	1572046	PLATE - BALLAST (USED ON 230V MODELS)	1
2	1572047	COVER - BALLAST - EUROPE (230 V MODULES)	1
3	1451124	SUPPRESSION NETWORK ASSEMBLY (ALL 120V MODELS)	1
	6332010	SUPPRESSION NETWORK ASSEMBLY (ALL 230V MODELS)	
4	1572039	BRACKET - LIGHT - COMMON - 25 W	1
	1582025	BRACKET - LIGHT - COMMON - 20W	
5	2222095	STARTER (20W)	1
6	1709015	HARNESS - DOOR - FLUOR. LIGHT	1
7	1572045	COVER - LIGHT SOCKET - LEFT (230 V MODELS)	1
8	1122138	FLUORESCENT LAMP (20W)	1
9	1572044	COVER - LIGHT SOCKET - RIGHT (230 V MODELS)	1
10	3151058	BALLAST-120V	1
	1572016	BALLAST - 230V	

Snackcombo II Parts Manual

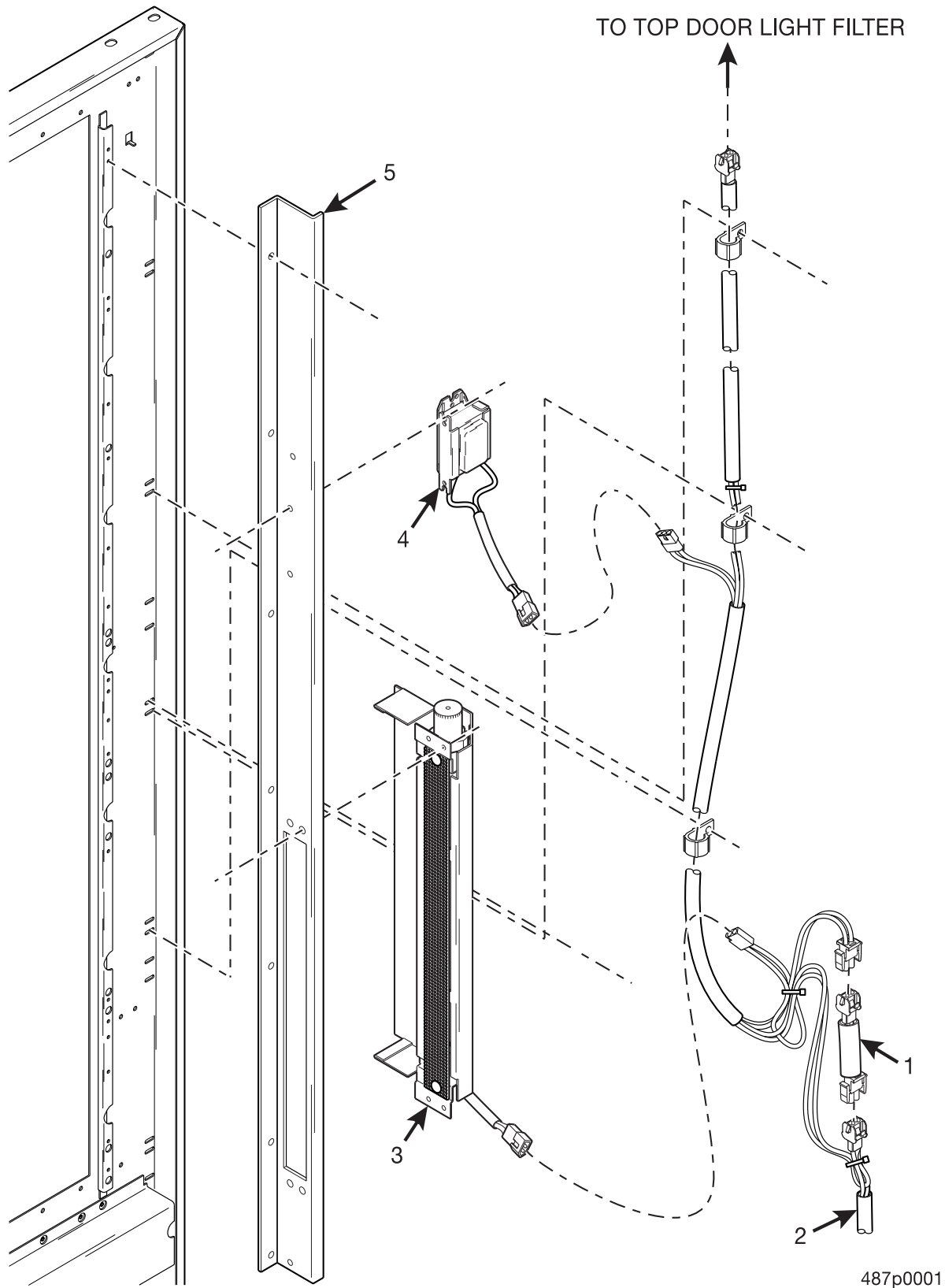


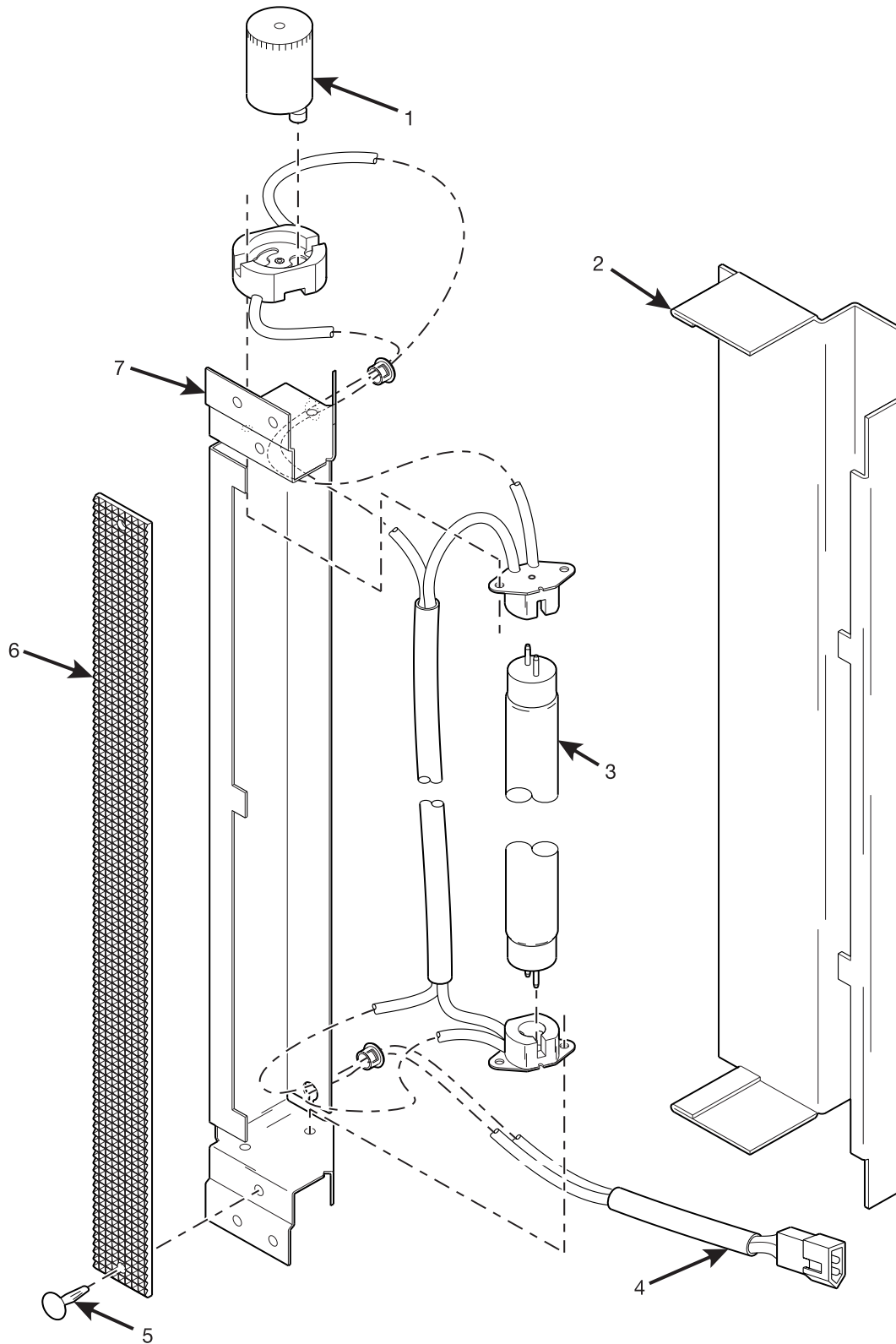
Figure 8. Door Assembly - With Refrig/Frozen Food Module

Snackcombo II Parts Manual

TABLE 8. DOOR ASSEMBLY - WITH REFRIG/FROZEN FOOD MODULE

INDEX	PART NUMBER	DESCRIPTION	QTY.
1	1451124	SUPPRESSION NETWORK ASSEMBLY (110V)	1
	6332010	SUPPRESSION NETWORK ASSEMBLY (230V)	
2	4979009	HARNESS - SIDE PANEL & DOOR FLST LIGHT (110V/230V)	1
3	1572023	FLUORESCENT SIDE LIGHT ASSEMBLY (FIGURE 9)	1
4	4401016	BALLAST (110V)	1
	4851085	BALLAST (230V)	
5	4972107	RETAINER - GLASS W/SIDE LIGHT	1

Snackcombo II Parts Manual



157p0277

Figure 9. Fluorescent Side Light Assembly

Snackcombo II Parts Manual

TABLE 9. FLUORESCENT SIDE LIGHT ASSEMBLY

INDEX	PART NUMBER	DESCRIPTION	QTY.
1	1212148	FLUORESCENT STARTER FS 5	1
2	4852049	COVER - LIGHT	1
3	2146059	LAMP - FLUORESCENT 8 WATT F8T5/CW	1
4	4849008	HARNESS - FLST. LT. - FOOD MODULE	1
5	4042556	CANOE CLIP	2
6	4842004	DIFFUSER - LIGHT	1
7	4842015	HOUSING - LIGHT - COMMON	1

Snackcombo II Parts Manual

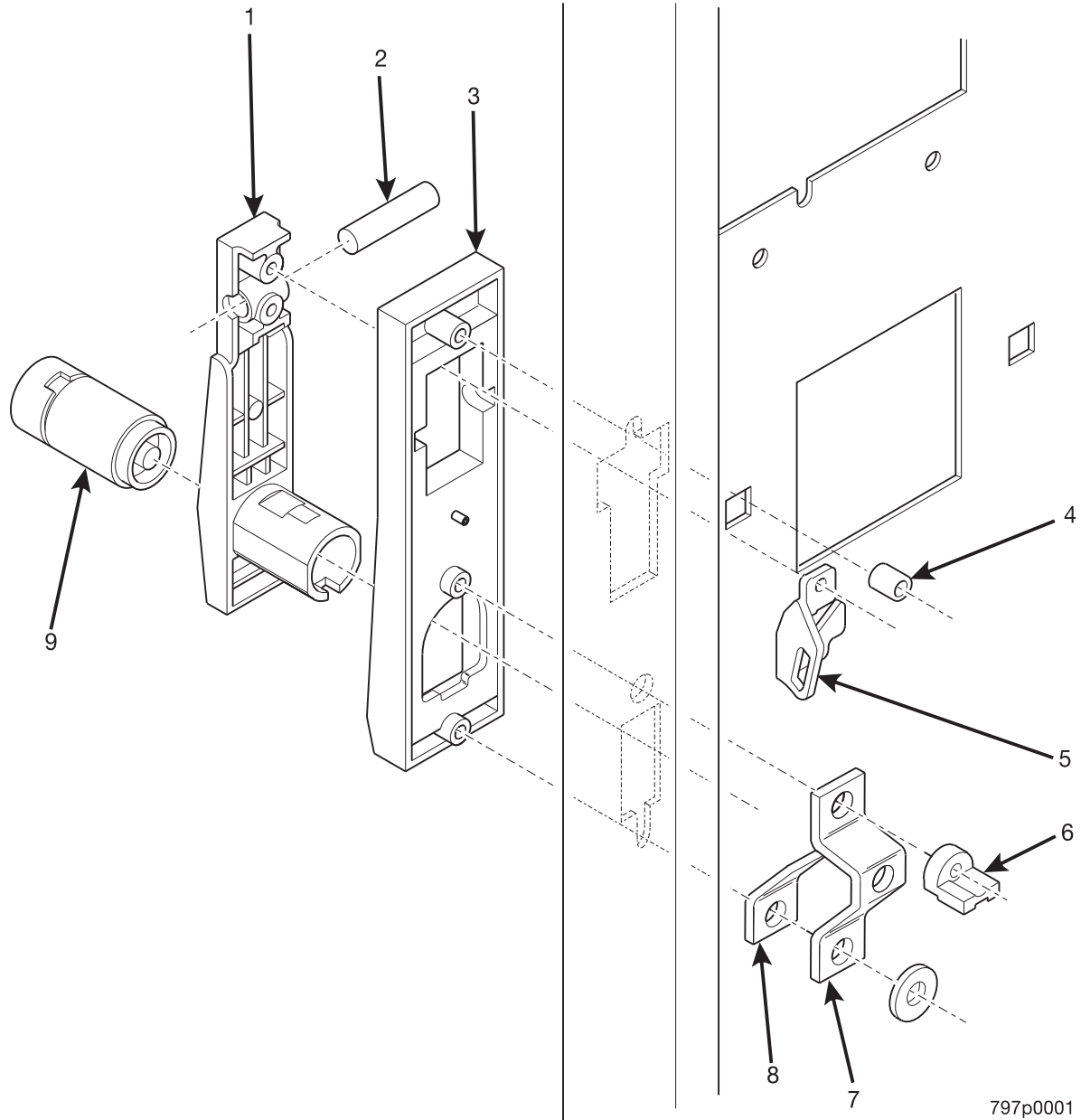


Figure 10. Door Lock and Handle Assembly (Imperial Crown and Signature Styles)

Snackcombo II Parts Manual

TABLE 10. DOOR LOCK AND HANDLE ASSEMBLY (IMPERIAL CROWN AND SIGNATURE STYLES)

INDEX	PART NUMBER	DESCRIPTION	QTY.
1	1172190	LEVER - LOCK	1
2	1302291	PIVOT - LEVER LOCK	1
3	1172191	BASE - LEVER LOCK	1
4	2272052	ACTUATOR ASSEMBLY - LOCK BAR	1
5	1302289	CUP SPACER	1
6	1302326	SHIELD - LATCH	1
7	1302324	CATCH - DOOR LATCH	1
8	1302290	LATCH - LOCK LOWER	1
9	9992400	CYLINDER - LOCK	1
	3112163	VAN LOCK	OPT
-	3112164	KEY (NOT SHOWN) VAN LOCK APPLICATION (NOT SHOWN)	1 OPT

Snackcombo II Parts Manual

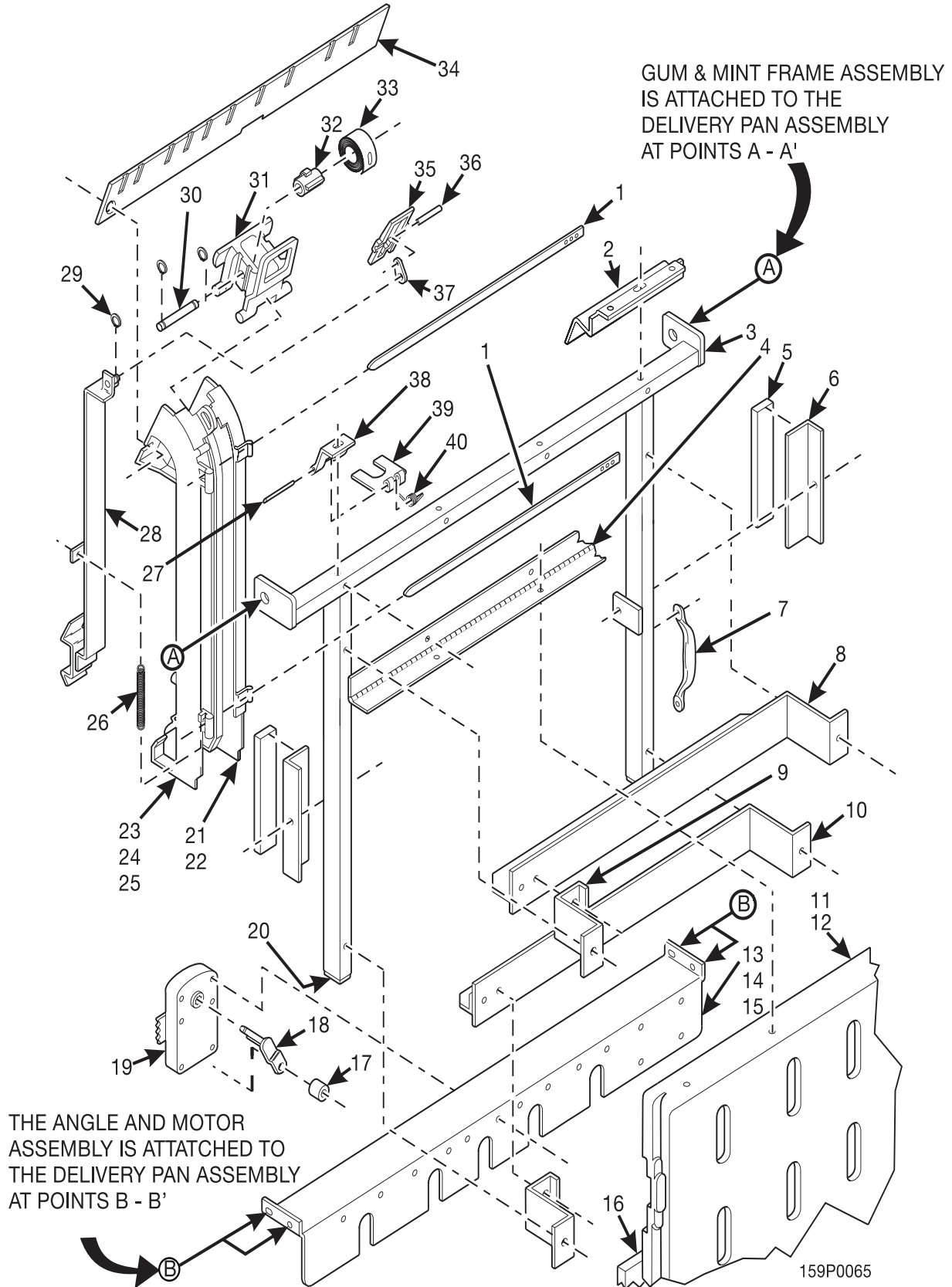


Figure 11. Gum and Mint Assembly

Snackcombo II Parts Manual

TABLE 11. GUM AND MINT ASSEMBLY

INDEX	PART NUMBER	DESCRIPTION	QTY.
-	1587000	GUM & MINT COLUMN	-
1	1479096	RETAINER	3
2	1479103	FILLER - GUM & MINT	2
3	1451097	SCREW - #8-32 X .31 HEX HD. TF - BLK	-
4	1489008	FRAME ASSEMBLY - GUM & MINT	1
5	3122056	MAGNET RETAINER - COIN CHANGER	2
6	1479117	ANGLE - MAGNET	2
7	1437027	SCREW	4
8	1479104	HINGE - COVER	1
9	1412046	8-32 NUT MF 23TW832 BLOX	2
10	9900201	SCREW #8-32 X 5/16 RHS SEMS MACH ZINC	2
11	4041053	SCREW #10-32 X 3/8 PHS T/C W/LW	2
12	1479139	PULL - DOOR	1
13	1479089	SUPPORT ASSEMBLY - MAGAZINE - UPPER	1
14	1479092	SUPPORT ASSEMBLY - MAGAZINE - LOWER	1
15	1479125	COVER ASSEMBLY	1
16	1479124	LABEL - LOADING - GUM & MINT (NOT SHOWN)	1
17	1489005	ANGLE - MOTOR	1
18	6131143	CABLE CLAMP RICHCO #KKC6	2
19	1452139	(NRI15590-6) CABLE CLIP #805-3M	1
20	1479095	BRACKET - MAGAZINE	2
21	1479119	MAGNET - RETAINER	2
22	1457027	8-32 X .81 HHSI TAPTITE Z/Y	10
23	1479062	STUD - DRIVE ARM	5
24	1479063	ROLLER - DRIVE ARM	5
25	1479145	ARM - DRIVE MOTOR	5
26	9900081	NUT #8-32 KEPS ZINC PLATE	5
27	1577035	MOTOR & PCB ASSEMBLY	5
28	1479120	CAPLUG - REC. ½ X 1	2
29	1479076	CHANNEL - GUM & MINT - RIGHT - SMALL	3
30	1479077	CHANNEL - GUM & MINT - RIGHT - LARGE	2
31	1572140	LABEL - LOADING LINE - GUM & MINT	1
32	1479075	CHANNEL - GUM & MINT - LEFT	5
33	1479064	SPACER - COLUMN - GUM & MINT	2
34	4246307	SPRING - HORIZONTAL SELECTOR ARM	5

Snackcombo II Parts Manual

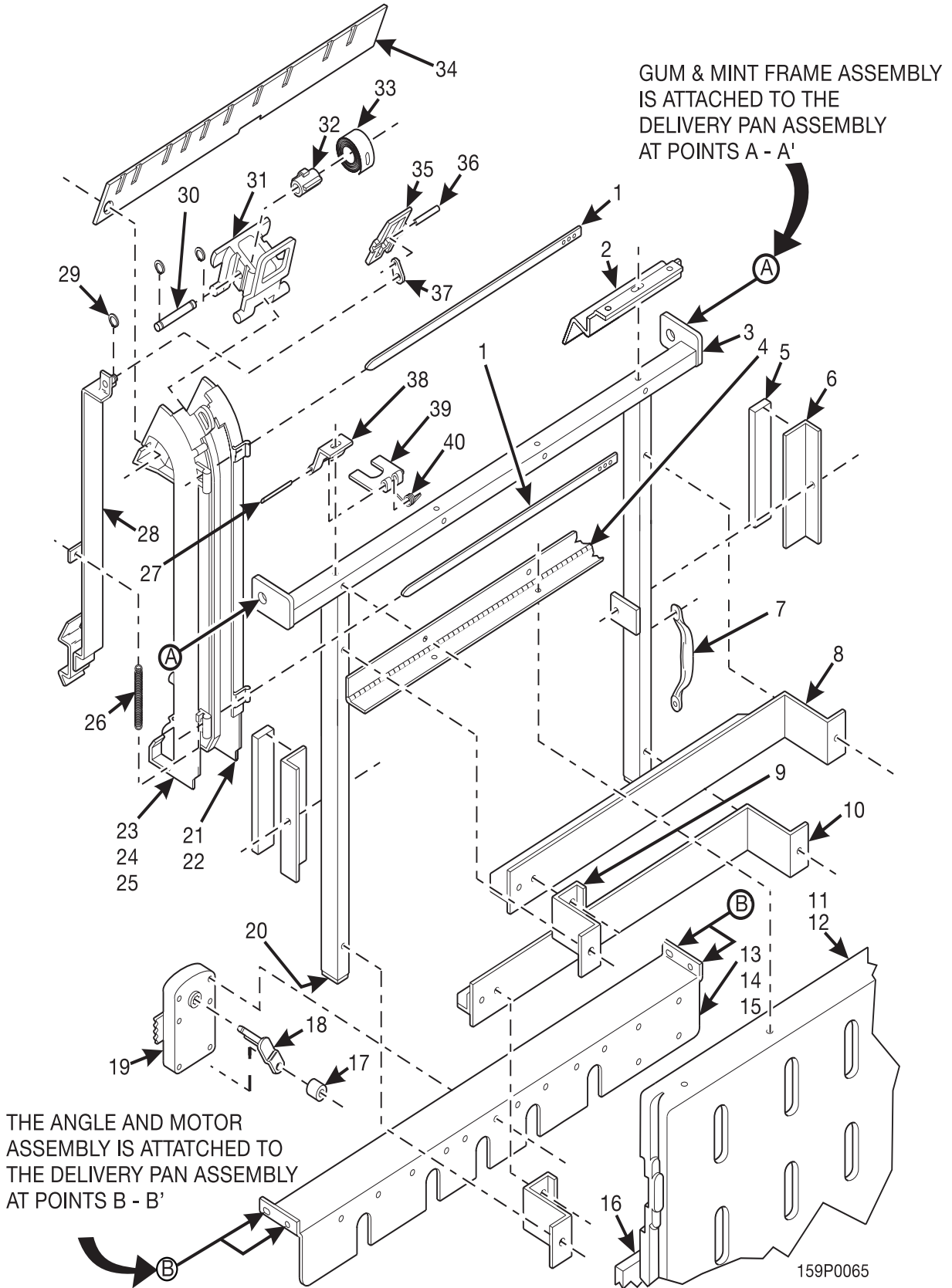


Figure 11. Gum and Mint Assembly (Continued)

Snackcombo II Parts Manual

TABLE 11. GUM AND MINT ASSEMBLY (CONTINUED)

INDEX	PART NUMBER	DESCRIPTION	QTY.
35	1479123	DRIVE BAR & STUD ASSEMBLY	5
36	9900081	NUT #8-32 KEPS ZINC PLATE	1
37	9900425	RETINING RING REINF E TYP. 250	15
38	9900020	SCREW #8-32 X ½ RHS MACH. ZINC	1
39	1479083	PIN - HINGE	5
40	1479082	HINGE - BACK	5
41	1479081	HINGE - FRONT	5
42	1479084	SPRING - HINGE	5
43	1479099	PIN - PUSHER	5
44	1479079	PUSHER	5
45	1479080	SPOOL - SPRING	5
46	1479106	SPRING - PUSHER	5
47	1479105	WINDOW - GUM & MINT	1
48	1479078	EJECTOR - GUM & MINT	5
49	1479098	PIN - EJECTOR	5
50	1479097	LINK - EJECTOR	5
-	1579012	HARNESS - GUM & MINT (NOT SHOWN)	1

THE FOLLOWING ARE AVAILABLE AS ASSEMBLIES:

1479127	ANGLE AND MOTOR ASSEMBLY (INCLUDES INDEX NUMBERS 17, 23-25, 27 & 51)
1489004	ANGLE & MOTOR ASSEMBLY (INCLUDES INDEX NUMBERS 16, 17, 21-26 & 28)
1489006	MAGAZINE ASSEMBLY - GUM & MINT (INCLUDES INDEX NUMBERS 2, 3, 5, 8, 15, 16, 20, 23, 29-50)
1479126	ARM & ROLLER ASSEMBLY (INCLUDES INDEX NUMBERS 23 - 26)

Snackcombo II Parts Manual

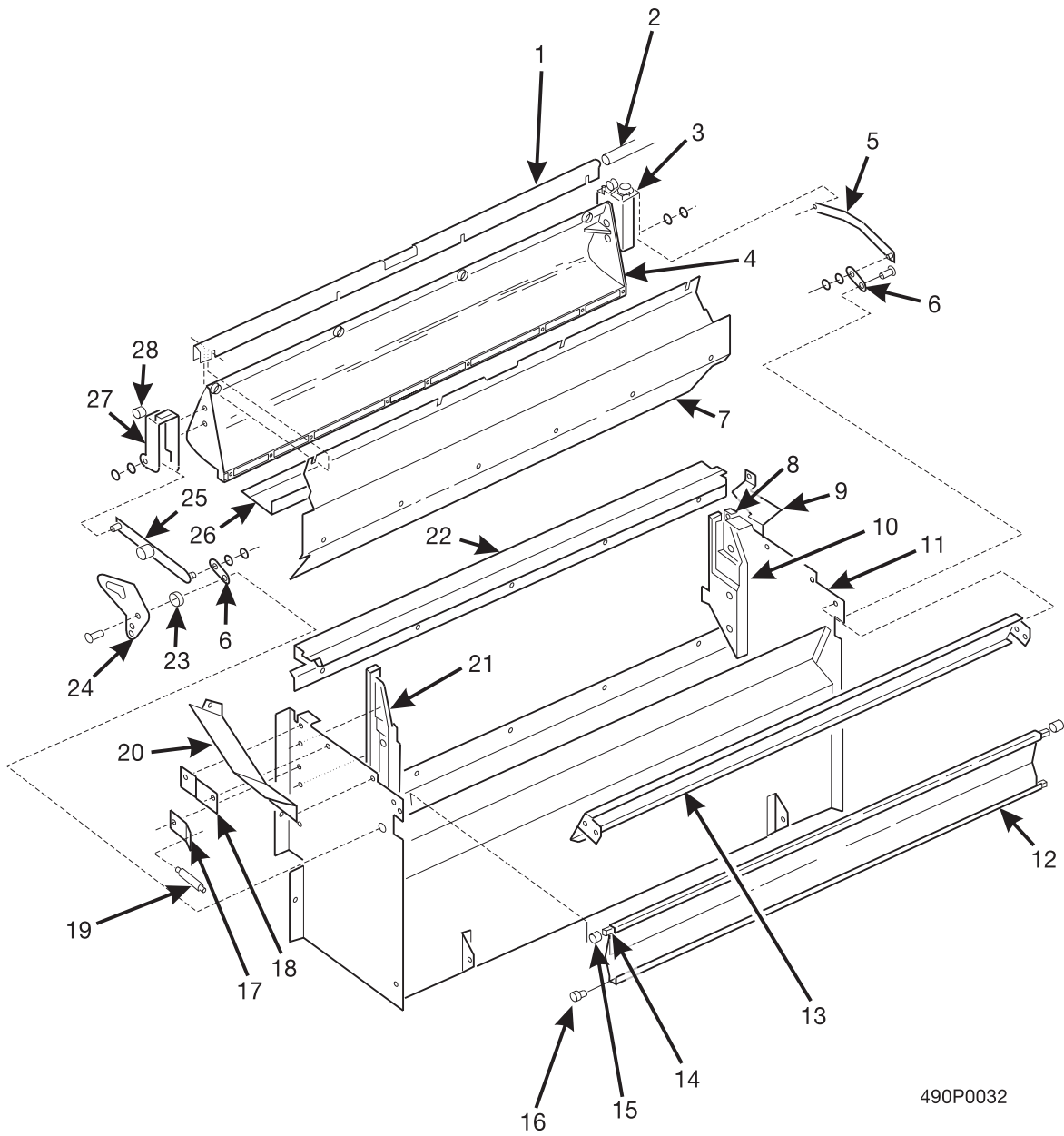


Figure 12. Delivery Pan Assembly

Snackcombo II Parts Manual

TABLE 12. DELIVERY PAN ASSEMBLY

INDEX	PART NUMBER	DESCRIPTION	QTY.
-	1602039	DELIVERY PAN ASSEMBLY	1
1	1462035	CHANNEL - DOOR	1
2	1482002	SHAFT - DOOR PIVOT	1
3	1482252	ACTUATOR - DELIVERY DOOR - L.H.	1
4	1582024	DOOR - DELIVERY - GRAY	1
5	4402017	ACTUATOR ASSEMBLY	1
6	1472145	ACTUATOR - REAR PIVOT	2
7	1472108	LINER - DOOR - PILFERAGE (157)	1
	1482163	LINER - DOOR - PILFERAGE	
8	1472069	BRACKET - DOOR PIVOT - L.H.	1
9	1602014	DEFLECTOR - L.H. - SMALL SNACK	1
10	1602034	FILLER - LEFT	1
11	1602038	WELD ASSY-DELIVERY PAN	1
12	1482171	ASSEMBLY - REAR DELIVERY DOOR	1
13	1482159	FILLER - DELIVERY PAN (NO GUM AND MINT OPTION)	1
14	1472087	WASHER - .38 I.D. X .56 O.D	2
15	1472083	SPACER	2
16	4042556	CANOE CLIP	2
17	2342110	BRACKET - SPRING	1
18	1472068	BRACKET - DOOR PIVOT-R.H.	1
19	4246044	SPRING - ELEVATOR GUIDE ARM	1
20	1572029	DEFLECTOR - PRODUCT - R.H.	1
21	1412022	FILLER - RIGHT - BLACK	1
22	1482187	PAN - DELIVERY - FRONT - BLACK	1
23	2342109	BUSHING - DELIVERY - LINKAGE	1
24	4402016	PLATE - DOOR RETENTION	1
25	1472156	ACTUATOR ASSEMBLY - RIGHT	1
26	1462073	ANGLE - DELIVERY DOOR	1
27	1482251	ACTUATOR - DELIVERY DOOR - R.H.	1
28	1472219	SPACER	2

Snackcombo II Parts Manual

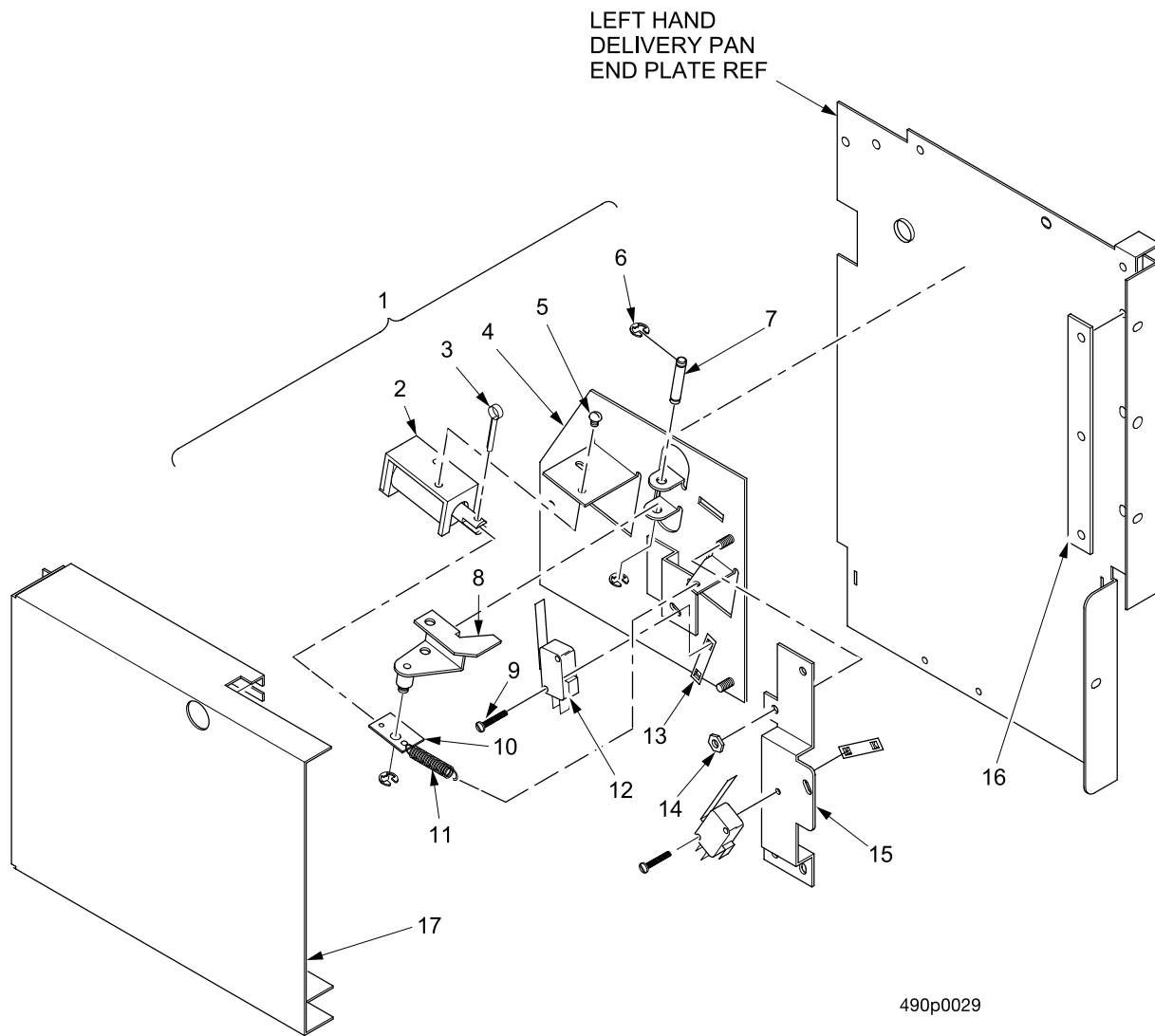


Figure 13. Delivery Pan Latch Mechanism - Part 2 of 2 (Food Module Equipped Machines Only)

Snackcombo II Parts Manual

TABLE 13. DELIVERY PAN LATCH MECHANISM - PART 2 OF 2 (FOOD MODULE EQUIPPED MACHINES ONLY)

INDEX	PART NUMBER	DESCRIPTION	QTY.
1	1572268	LATCH MOUNTING PLATE ASSEMBLY	1
2	4252030	SOLENOID - 24 VDC	1
3	9900098	COTTER PIN - 3/32 X 3/4 INCH	1
4	1572266	PLATE AND BRACKET ASSEMBLY	1
5	9900090	SCREW - #6-32 X 3/16 RHS W/LKW	2
6	9900418	RETAINING RING - REINF "E" TYPE - .187	3
7	4402022	PIN - LATCH	1
8	4402023	LATCH AND STUD ASSEMBLY	1
9	1217160	4-40 X 5/8 RMS M SCREW Z/Y	4
10	4402047	LINK - SOLENOID	1
11	1127808	SPRING - SHELF RESET	1
12	4302319	SWITCH - LEVER - 1 7/8	2
13	4302316	FASTENER - TWIN TYPE	2
14	9900081	NUT - #8-32 KEPS Z/P	2
15	1572264	BRACKET - SWITCH MOUNTING	1
16	1572265	SPACER - SOLENOID LOCK	-
17	4402027	COVER - LATCH MECHANISM	-

TABLE 14. BAG ASSEMBLY B4900010 (U.S. MACHINES WITH CAN MODULE)

PARTNUMBER	DESCRIPTION	QTY.
1472105	PRICE TAGS - GUM & MINT	
1477015	ROLL - PRICE DOLLARS	14
1477083	RETAINER - SPIRAL - WALL	10
1577047	LABEL - ITEM LETTERS - A0-A9	1
1577048	LABEL - ITEM LETTERS - B0-B9	1
1577049	LABEL - ITEM LETTERS - C0-C9	1
4747091	FLAVOR STRIPS - 10	1
4900040	DOCUMENTATION PKG - GPL	1
4900041	WD PACKAGE - 115V - DOM CAN - GPL	1

Snackcombo II Parts Manual

TABLE 15. BAG ASSEMBLY B4900013 (U.S. MACHINES WITH FOOD MODULE)

PARTNUMBER	DESCRIPTION	QTY.
1472105	PRICE TAGS - GUM & MINT	
1477015	ROLL - PRICE DOLLARS	14
1477083	RETAINER - SPIRAL - WALL	10
1577047	LABEL - ITEM LETTERS - A0 - A9	1
1577048	LABEL - ITEM LETTERS - B0 - B9	1
1577049	LABEL - ITEM LETTERS - C0 - C9	1
1577050	LABEL - ITEM LETTERS - D0 - D9	1
1577051	LABEL - ITEM LETTERS - E0 - E9	1
1577052	LABEL - ITEM LETTERS - F0 - F9	1
4900040	DOCUMENTATION PKG - GPL	1
4900042	WD PACKAGE - 115V - DOM FOOD - GPL	1

TABLE 16. BAG ASSEMBLY B4900011 (SOUTH AMERICAN MACHINES WITH CAN MODULE) - SPANISH

PARTNUMBER	DESCRIPTION	QTY.
1477083	RETAINER - SPIRAL - WALL	10
1477123	PRICE ROLL - 0 TO 25 - U.K./GER/	25
1577061	LABEL - ITEM LETTERS - A0 - A9 - U.K	1
1577062	LABEL - ITEM LETTERS - B0 - B9 - U.K	1
1577063	LABEL - ITEM LETTERS - C0 - C9 - U.K	1
4747091	FLAVOR STRIPS - 10	1
4747097	PROD. ID LBL/FLAVR STRIP INST	1
4900040	DOCUMENTATION PKG - GPL	1
4900045	WD PKG - 115V/220V - EXEC - CAN - GP	1

Snackcombo II Parts Manual

TABLE 17. BAG ASSEMBLY B4900014 (SOUTH AMERICAN MACHINES WITH FOOD MODULE) - SPANISH

PARTNUMBER	DESCRIPTION	QTY.
1477014	ROLL - PRICE CENTS	10
1477083	RETAINER - SPIRAL - WALL	10
1477123	PRICE ROLL - 0 TO 25 - U.K./GER/	25
1577061	LABEL - ITEM LETTERS - A0 - A9 - U.K	1
1577062	LABEL - ITEM LETTERS - B0 - B9 - U.K	1
1577063	LABEL - ITEM LETTERS - C0 - C9 - U.K	1
1577064	LABEL - ITEM LETTERS - D0 - D9 - U.K	1
1577065	LABEL - ITEM LETTERS - E0 - E9 - U.K	1
1577066	LABEL - ITEM LETTERS - F0 - F9 - U.K	1
4900033	LIST - BAG ASSY B4900014	1
4900040	DOCUMENTATION PKG - GPL	1
4900044	WD PKG - 115V/220V - EXEC - FOOD - G	1

TABLE 18. BAG ASSEMBLY B4900012 (SOUTH AMERICAN MACHINES WITH FOOD MODULE) - ENGLISH

PARTNUMBER	DESCRIPTION	QTY.
1477083	RETAINER - SPIRAL - WALL	10
1477123	PRICE ROLL - 0 TO 25 - U.K./GER/	24
1577047	LABEL - ITEM LETTERS - A0 - A9	1
1577048	LABEL - ITEM LETTERS - B0 - B9	1
1577049	LABEL - ITEM LETTERS - C0 - C9	1
4747091	FLAVOR STRIPS - 10	1
4747097	PROD.ID LBL/FLAVR STRIP INST	1
4900040	DOCUMENTATION PKG - GPL	1
4900043	WD PACKAGE - 220V - EXEC - CAN - GPL	1

Snackcombo II Parts Manual

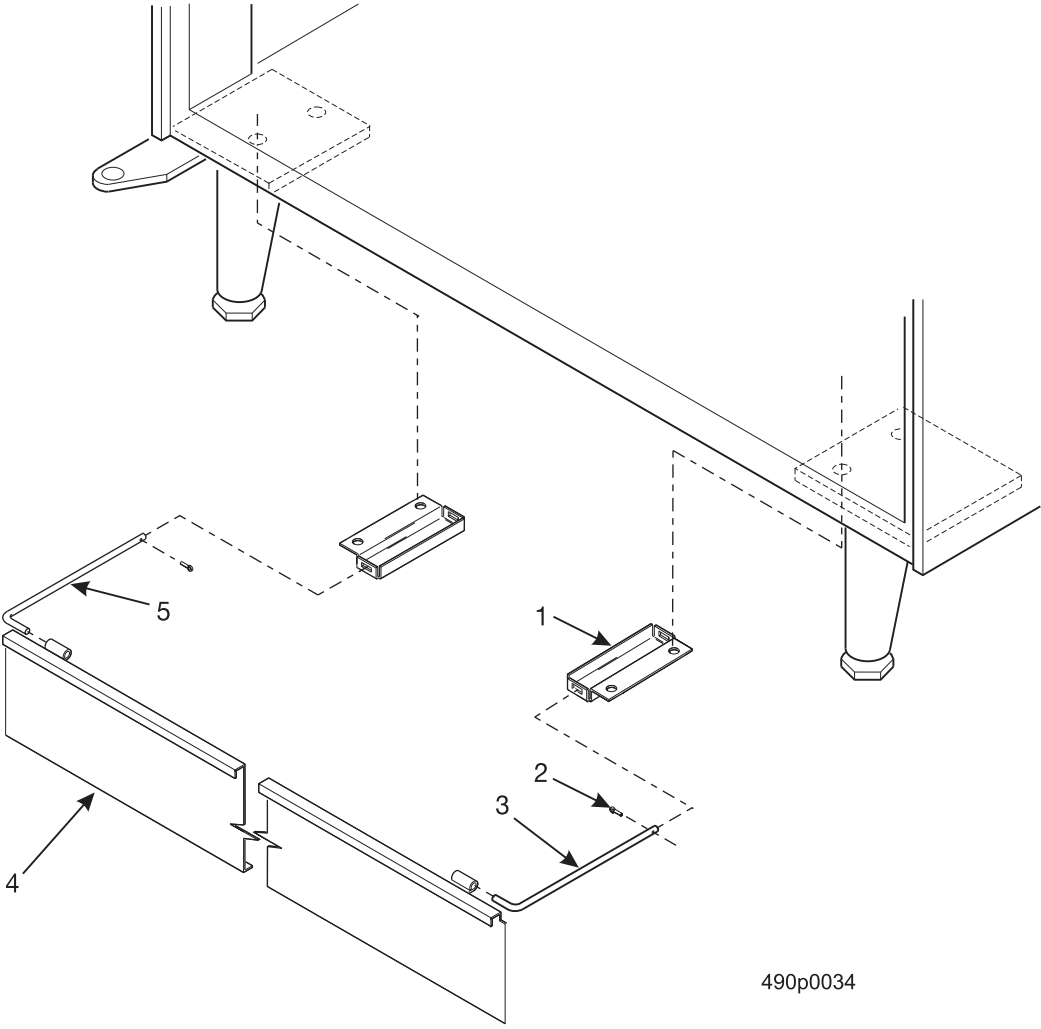


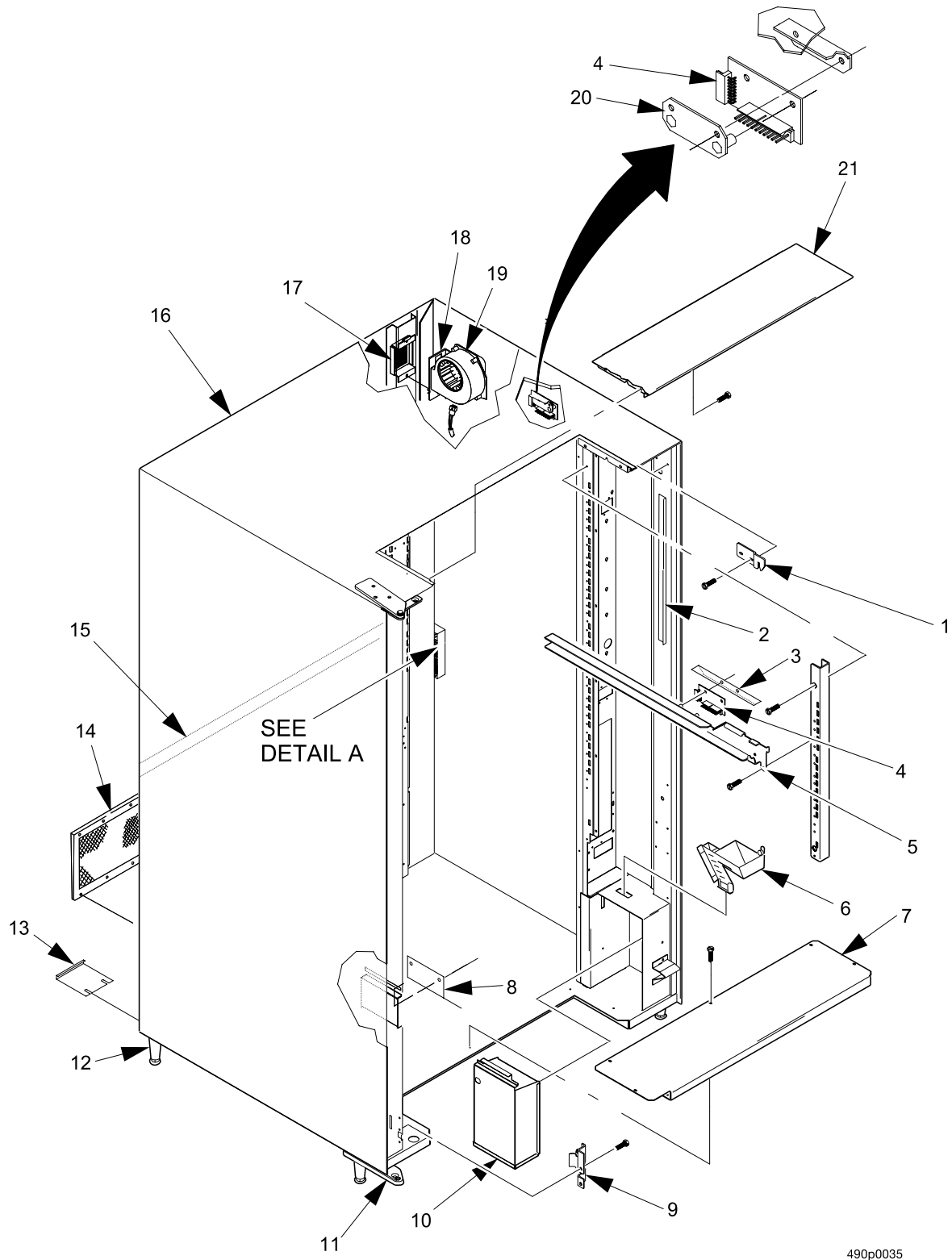
Figure 19. Base Plate Assembly

Snackcombo II Parts Manual

TABLE 19. BASE PLATE ASSEMBLY

INDEX	PART NUMBER	DESCRIPTION	QTY.
1	6231087	BRACKET - BASE PLATE	2
2	9900098	COTTER PIN, 3/32	2
3	1411194	SLIDE - BASE PLATE - RIGHT HAND	1
4	1581023	BASE PLATE ASSEMBLY	1
5	1411195	SLIDE - BASE PLATE - LEFT HAND	1

Snackcombo II Parts Manual



490p0035

Figure 20. Common Cabinet (Part 1 of 3)

Snackcombo II Parts Manual

TABLE 20. COMMON CABINET (PART 1 OF 3)

INDEX	PART NUMBER	DESCRIPTION	QTY.
1	1571074	LOCK ARM - CABINET	2
2	1571022	STOP - MONETARY PANEL	2
3	1571229	SHIELD - TRAY RAIL/PCB	*
4	1596012	PCB ASSEMBLY - TRAY	*
5	1571179	RAIL MOUNTING CHANNEL - R.H. - W/STANDOFFS	*
	1571181	TRAY GUIDE RAIL - L.H. (NOT SHOWN)	*
6	6231242	CHUTE - PAYOUT	1
7	1581057	BASE FILLER ASSEMBLY - NV BLACK	1
8	4841020	DEFLECTOR - RC2 - WITH MODULE	1
9	1571090	PLATE ASSEMBLY - DOOR CHECK	1
10	1571029	MONEY BOX ASSEMBLY	1
11	6231163	LEG, HINGE & LEVELER ASSEMBLY (FIGURE 23)	1
12	1471237	LEG & LEVELER ASSEMBLY - CABINET (FIGURE 23)	3
13	4741065	STANDOFF - MACHINE CABINET	2
14	4521021	SCREEN ASSEMBLY - VENT	1
15	1481057	ANGLE - RECEPTACLE MOUNTING (CAN OPTION)	1
	4401026	ANGLE - RECEPTACLE MOUNTING (FOOD OPTION)	
16	1581068	CABINET ASSEMBLY - NV BLACK	1
17	1471054	BRACKET AND SCREEN ASSEMBLY - EXHAUST (FAN OPTION - SHOWN)	1
	1471090	COVER - FAN HOLE (NO FAN OPTION - NOT SHOWN)	
18	1471398	BRACKET - EXHAUST FAN (FAN OPTION)	1
19	6231548	BLOWER ASSEMBLY - 120 V (FAN OPTION)	1
	6401088	BLOWER ASSEMBLY - 230 V (FAN OPTION)	
20	1571175	PLATE - PCB RAIL - MOUNTING	1
21	1581056	TOP FILLER ASSEMBLY - NV BLACK	1

THE FOLLOWING ARE AVAILABLE AS ASSEMBLIES

1571235	TRAY GUIDE RAIL ASSEMBLY - R.H. (ALL EXCEPT BOTTOM POSITION) - INCLUDES INDEX NUMBERS 3, 4, AND 5 PLUS ATTACHING HARDWARE FOR ITEM NUMBERS 3 AND 4.
1571236	TRAY GUIDE RAIL ASSEMBLY - R.H. - BOTTOM (BOTTOM POSITION ONLY) - INCLUDES INDEX NUMBERS 3 AND 5, PLUS ATTACHING HARDWARE FOR ITEM NUMBER 3.

Snackcombo II Parts Manual

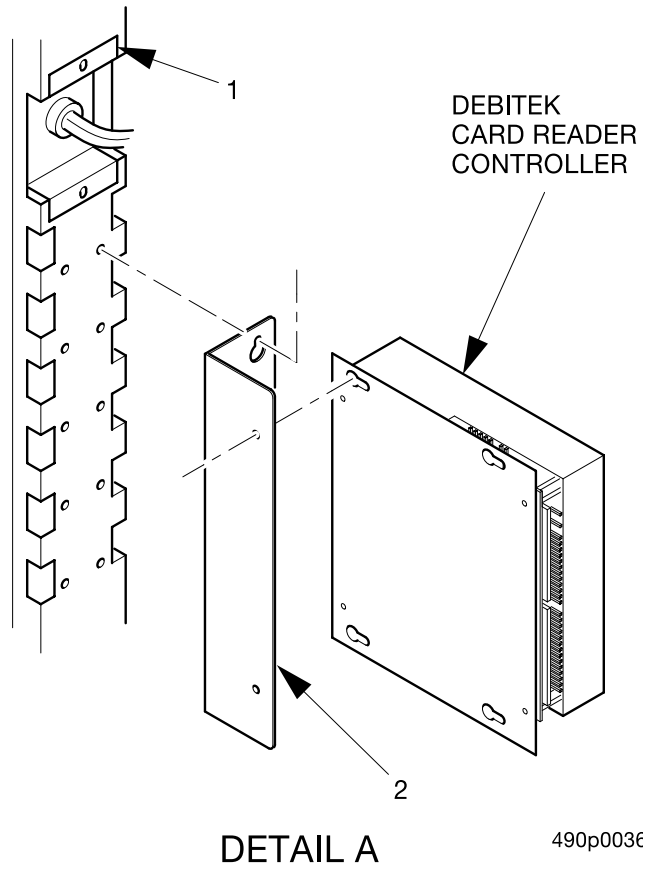


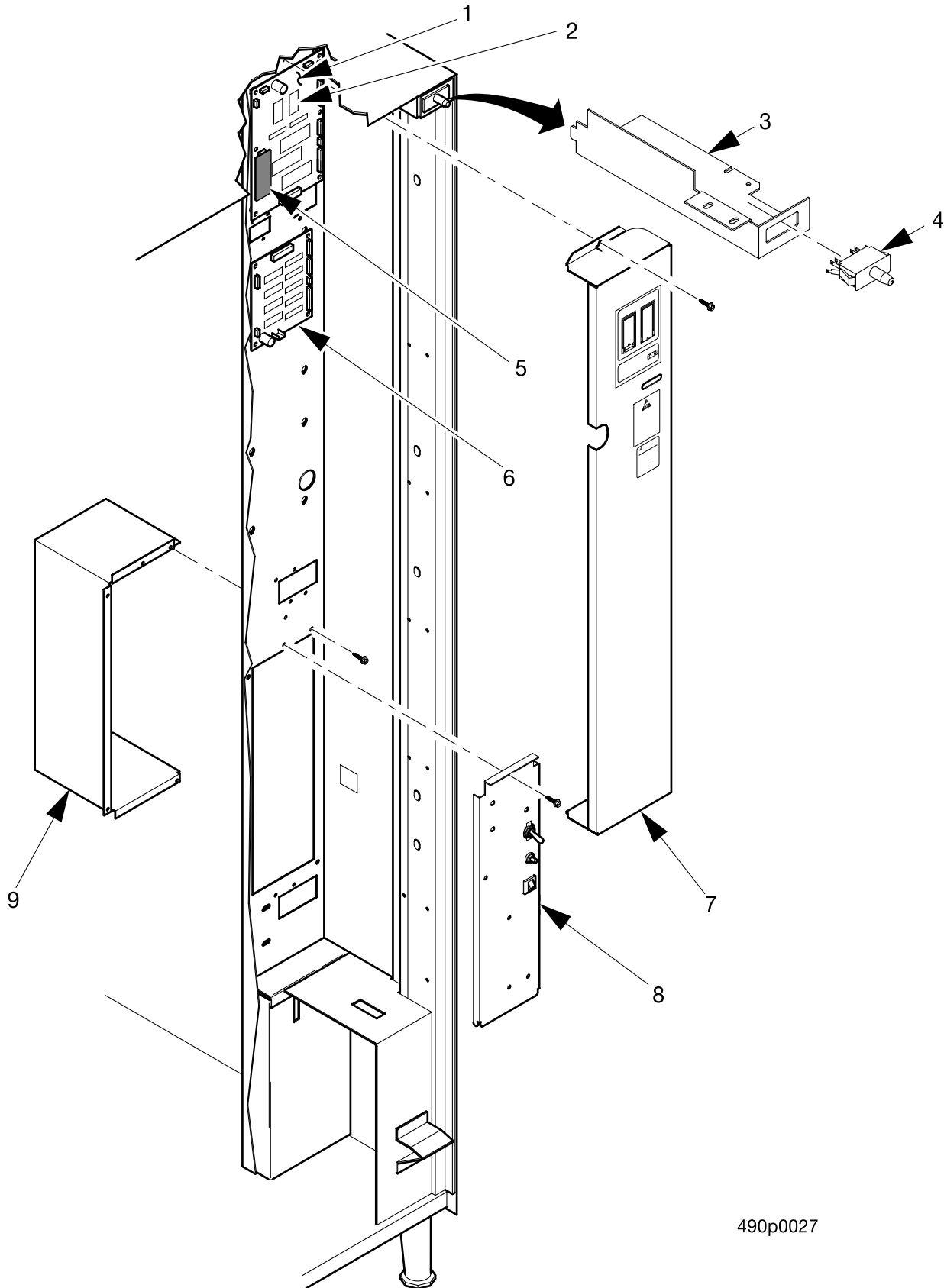
Figure 21. Common Cabinet (Part 2 of 3)

Snackcombo II Parts Manual

TABLE 21. COMMON CABINET (PART 2 OF 3)

INDEX	PART NUMBER	DESCRIPTION	QTY.
1	1471065	BRACKET - MOUNTING - POWER CORD	1
2	1575050	BRACKET - DEBITEK CONTROLLER	OPT.

Snackcombo II Parts Manual



490p0027

Figure 22. Common Cabinet (Part 3 of 3)

Snackcombo II Parts Manual

TABLE 22. COMMON CABINET (PART 3 OF 3)

INDEX	PART NUMBER	DESCRIPTION	QTY.
-	1606005	MAIN CONTROLLER WITH EPROM (INCLUDES ITEMS 1 AND 2)	1
1	9989755	PCB ASSEMBLY - MAIN CONTROLLER	1
2	SEE LABEL	IC ASSEMBLY	1
3	1571021	BRACKET - SWITCH INTERLOCK (ONLY USED ON 230V MACHINES WITH REFRIGERATED FOOD)	1
4	2366135	SWITCH INTERLOCK (ONLY USED ON 230V MACHINES WITH REFRIGERATED FOOD)	1
5	9989687	PCB ASSEMBLY - EXECUTIVE INTERFACE (USED WITH EXEC COIN MECH. OPTION)	1
6	1576008	PCB ASSEMBLY - SNACK INTERFACE	1
7	1571112	COVER - CONTROL/INTERFACE PCB	1
8	4841012	POWER PANEL ASSEMBLY - 115V	1
	4521020	POWER PANEL ASSEMBLY - U.K. - 230 V	
9	1571032	HOUSING - POWER PANEL	1

Snackcombo II Parts Manual

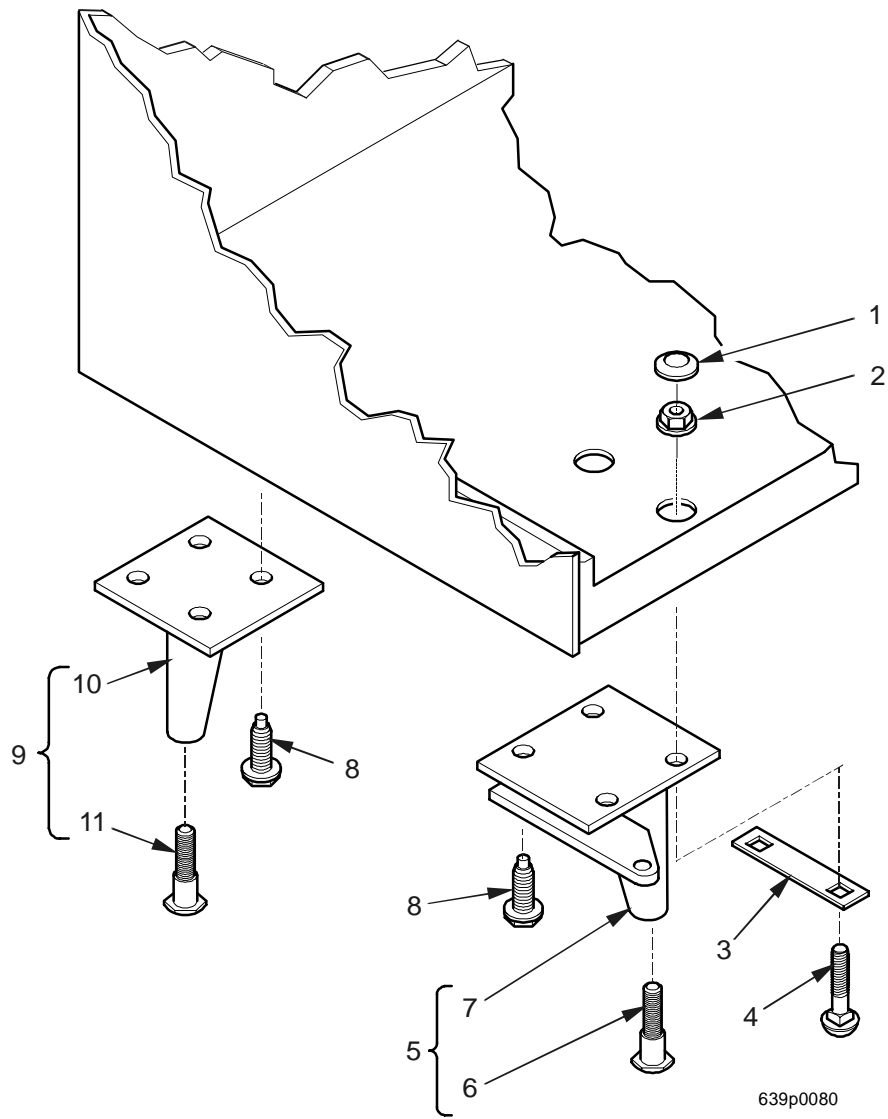


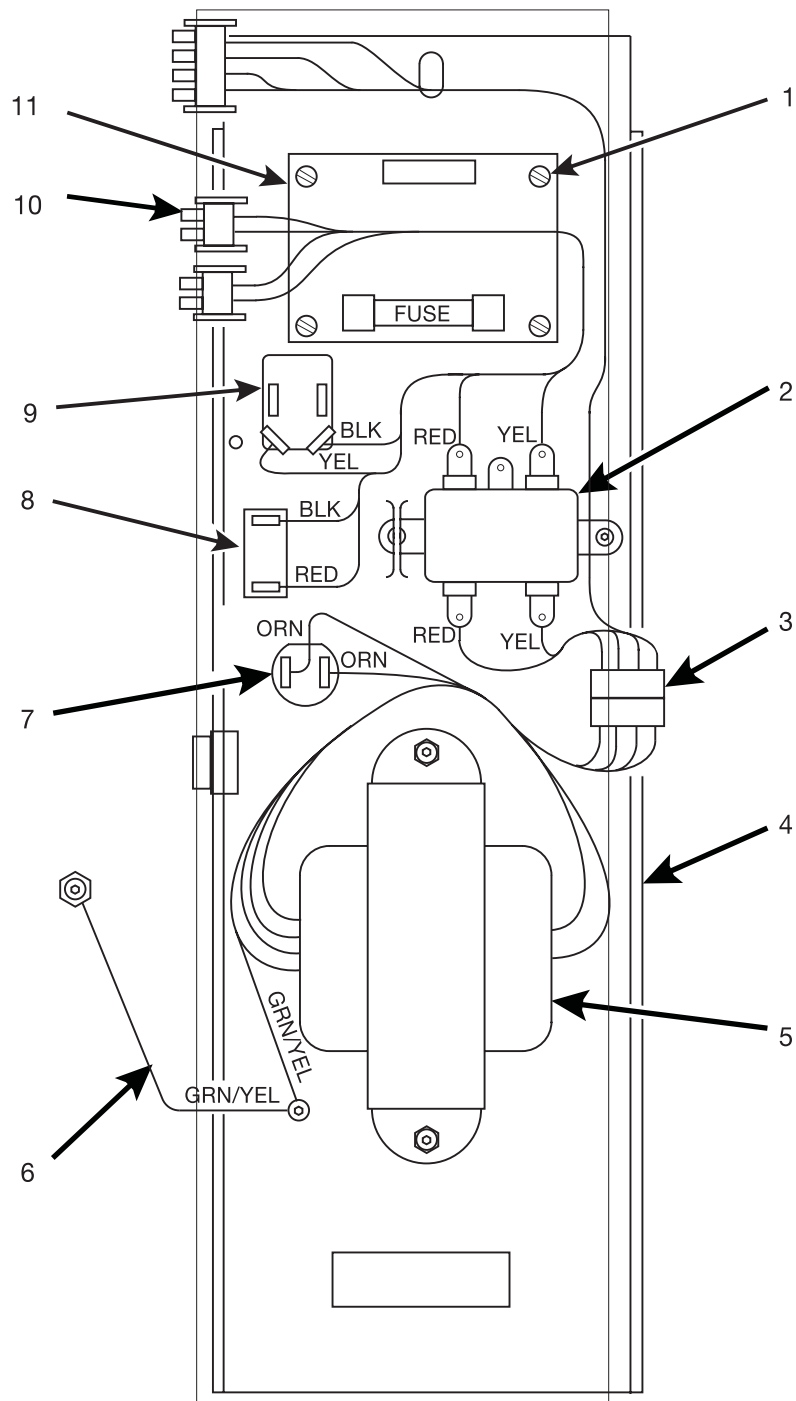
Figure 23. Leg, Leveler, and Leg and Hinge Assemblies

Snackcombo II Parts Manual

TABLE 23. LEG, LEVELER, AND LEG AND HINGE ASSEMBLIES

INDEX	PART NUMBER	DESCRIPTION	QTY.
1	6231034	PLUG - HOLE (NOT USED IN ALL APPLICATIONS)	2
2	1172021	NUT - 1/4-20 WHIZ-LOCK	2
3	6231203	PLATE - HINGE LEG BOLT	1
4	1211112	TRAY BOLT	2
5	6231163	LEG, HINGE, AND LEVELER ASSEMBLY	1
6	1471098	LEVELER - CABINET	1
7	1571115	LEG AND HINGE ASSEMBLY	1
8	9900218	SCREW - # 5/16 X 1 W/LOCKING RING	14
9	1471237	LEG AND LEVELER ASSEMBLY - CABINET	3
10	1571127	LEG ASSEMBLY - CABINET	1
11	1471098	LEVELER - CABINET	1

Snackcombo II Parts Manual



157p0268

Figure 24. Power Panel Assembly - U.S.

Snackcombo II Parts Manual

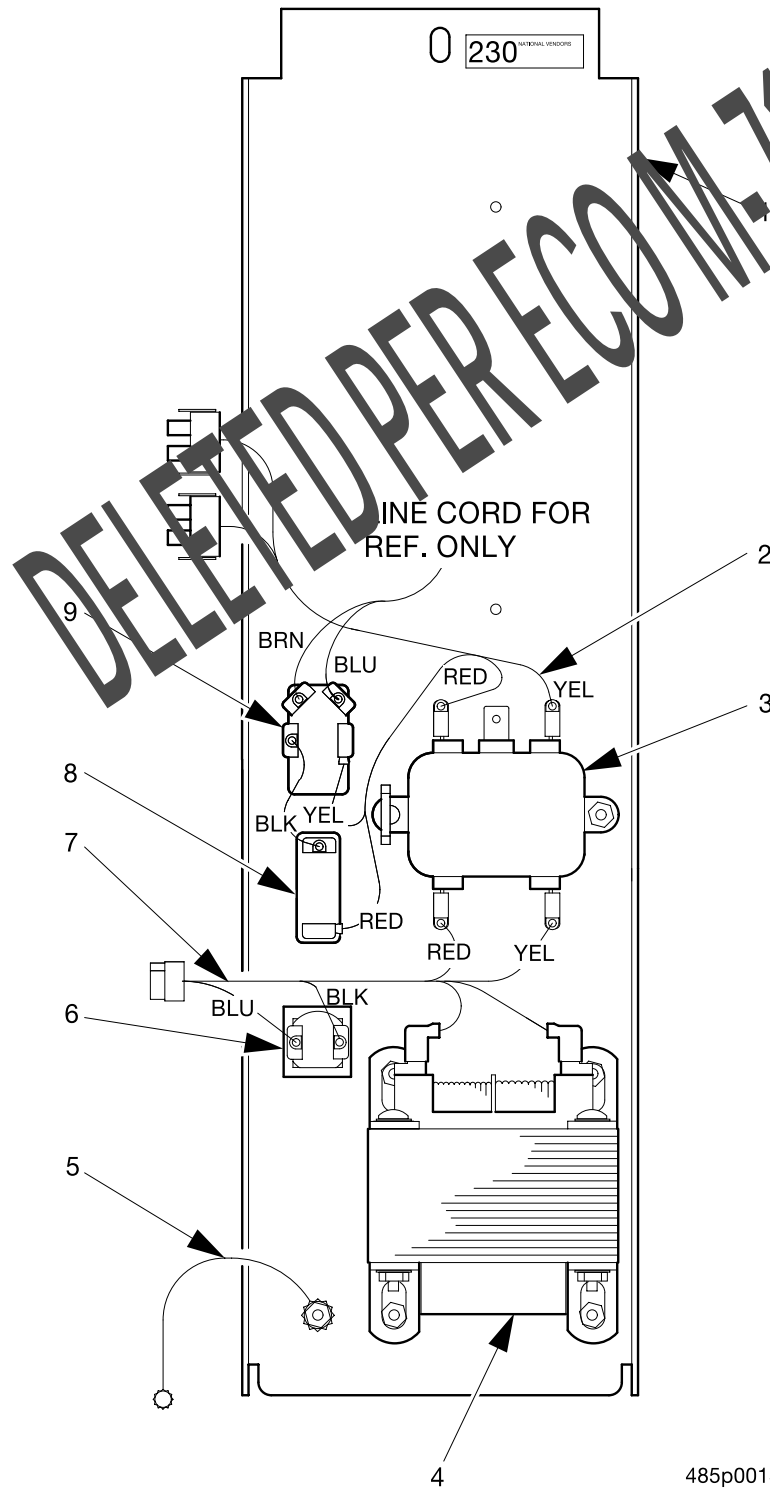


Figure 25. Power Panel Assembly - U.K.

Snackcombo II Parts Manual

TABLE 25. POWER PANEL ASSEMBLY - U.K.

INDEX	PART NUMBER	DESCRIPTION	QTY.
-	4522020	POWER ASSEMBLY - UK - 230V - W/O FILTER	1
1	1701025	PLATE - HOUSING - PANEL	1
2	1709000	HARNESS - POWER PANEL - INTERNATIONAL	1
3	9989100	INTERFERENCE FILTER	1
4	9989046	24V XFMR - DUAL PIR. - .187 TERM.	1
5	9984165	JUMPER - GROUND WIRE	1
6	9989674	CIRCUIT BREAKER - 4 AMP	1
7	1709001	JUMPER - TRANSFORMER - INTERNATIONAL	1
8	9989672	BREAKER - 15A	1
9	9984629	SWITCH - TOGGLE - DIST - 20 AMP	1
-	1709006	JUMPER - MAIN SWITCH TO BREAKER (NOT SHOWN)	1
-	4279001	JUMPER - 230V - XFMR PRI (NOT SHOWN)	1

DELETED.PDF.COM-1110

Snackcombo II Parts Manual

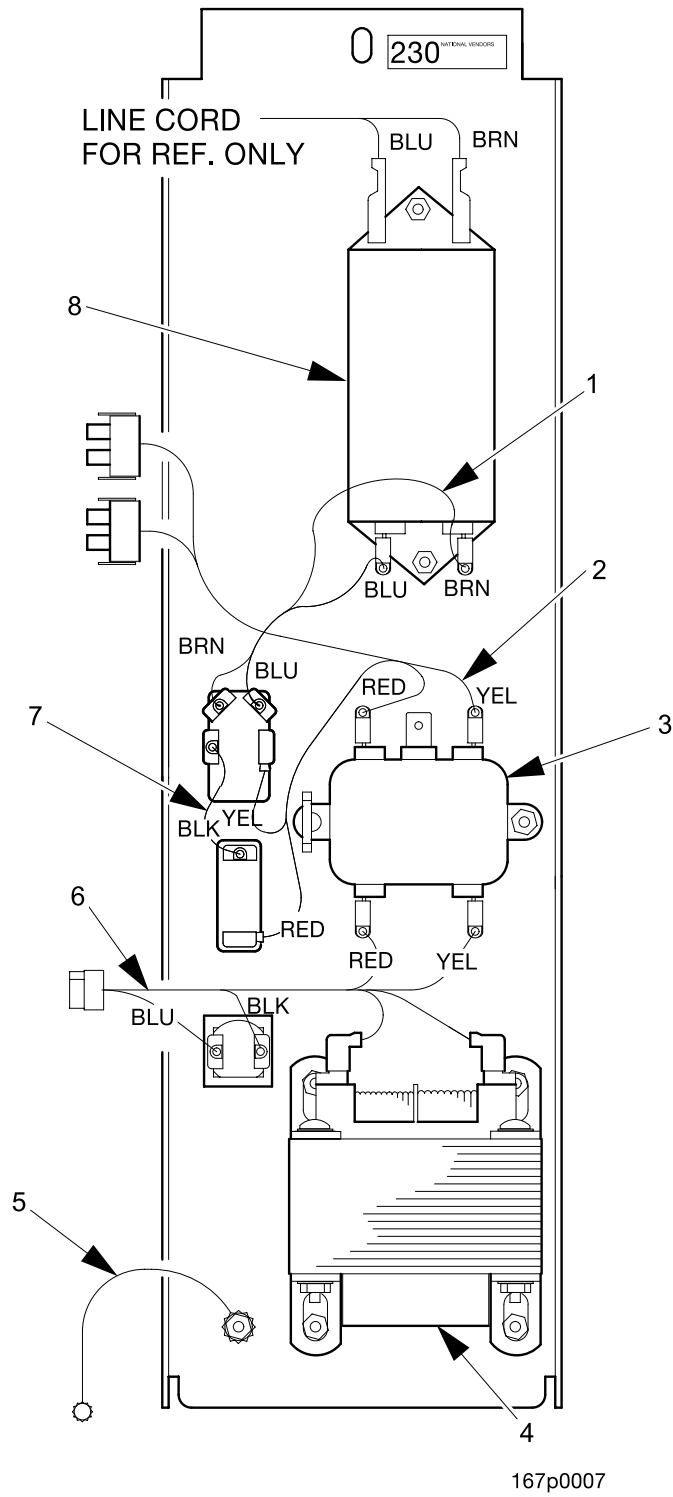


Figure 26. Power Panel Assembly - 230 V

Snackcombo II Parts Manual

TABLE 26. POWER PANEL ASSEMBLY - 230 V

INDEX	PART NUMBER	DESCRIPTION	QTY
-	4521020	POWER PANEL ASSEMBLY - 230V	REF
1	1709002	JUMPER - MAIN LINE FILTER	1
2	1709000	HARNESS - POWER PANEL - FOREIGN	1
3	9989100	INTERFERENCE FILTER	1
4	9989046	TRANSFORMER - 24V - DUAL PIR. - .187 TERM.	1
5	9984165	JUMPER - GROUND WIRE	1
6	1709001	JUMPER - TRANSFORMER - FOREIGN	1
7	1709006	JUMPER - MAIN SWITCH TO BREAKER	1
8	9989672	CIRCUIT BREAKER - 15 AMP	1

Snackcombo II Parts Manual

TABLE 26. POWER PANEL ASSEMBLY - CHINA

INDEX	PART NUMBER	DESCRIPTION	QTY
-	4521020	POWER PANEL ASSEMBLY - 230V	REF
1	1709002	JUMPER - MAIN LINE FILTER	1
2	1709000	HARNESS - POWER PANEL - FOREIGN	1
3	9989100	INTERFERENCE FILTER	1
4	9989046	TRANSFORMER - 24V - DUAL PIR. - .187 TERM.	1
5	9984165	JUMPER - GROUND WIRE	1
6	1709001	JUMPER - TRANSFORMER - FOREIGN	1
7	1709006	JUMPER - MAIN SWITCH TO BREAKER	1
8	9989672	CIRCUIT BREAKER - 15 AMP	1

Snackcombo II Parts Manual

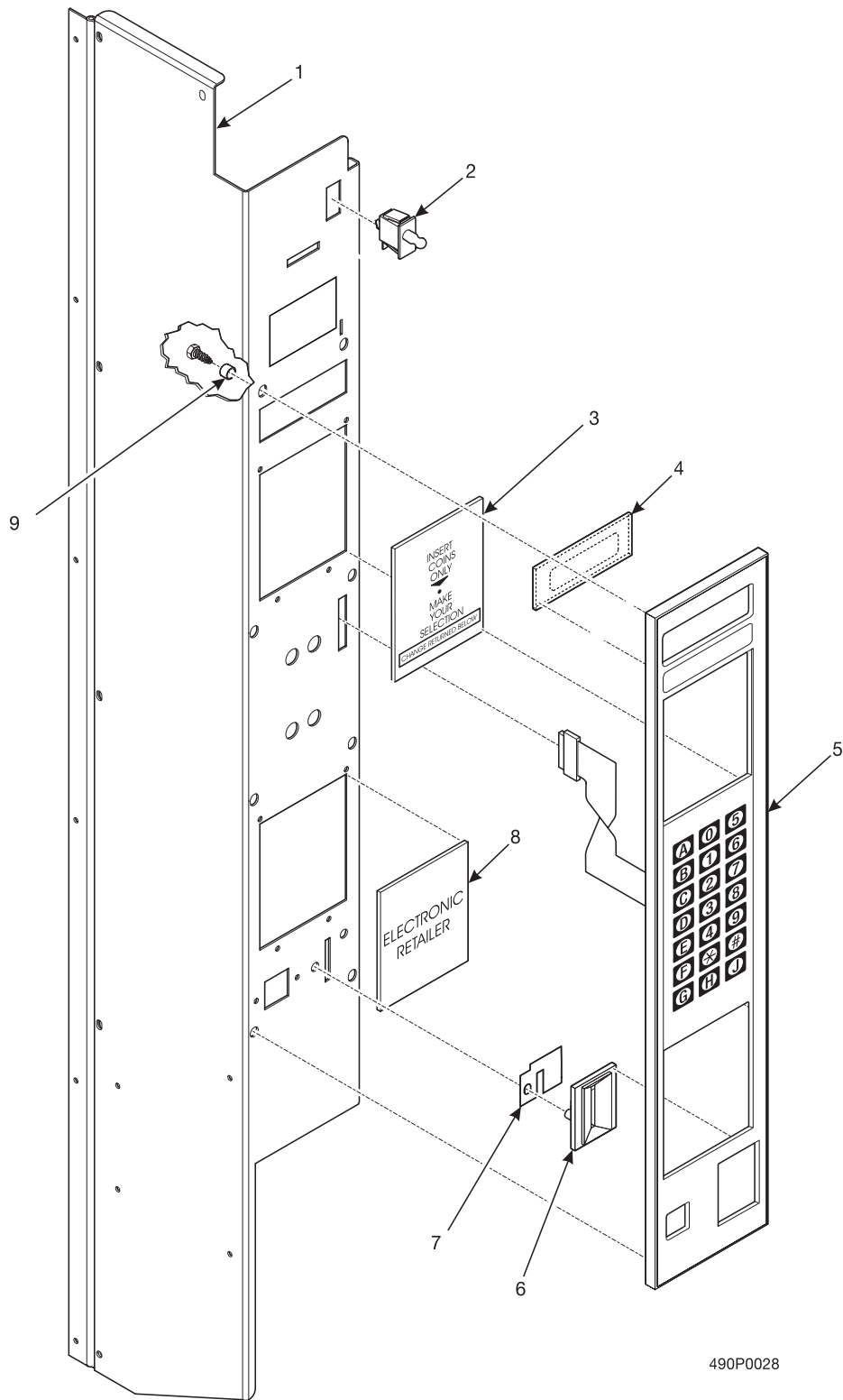


Figure 27. Monetary Panel Assembly (Part 1 of 3)

Snackcombo II Parts Manual

TABLE 27. MONETARY PANEL ASSEMBLY (PART 1 OF 3)

INDEX	PART NUMBER	DESCRIPTION	QTY.
1	1575094	MONETARY PANEL WELD ASSEMBLY - NV BLACK	1
	1575097	PANEL - WELD ASSEMBLY - CASH CODE BLACK (CHINA MDB)	
2	1401110	SWITCH	1
3	-	UPPER MONETARY POSITION	-
4	1595014	LENS - DISPLAY	1
5	1595016	FACEPLATE ASSEMBLY (WITH COIN OPTION)	1
6	1472223	COIN INSERT (WITH COIN OPTION)	1
7	1472222	COIN BLOCK (WITH COIN OPTION)	1
8	-	LOWER MONETARY POSITION	-
9	2302053	CUP SPACER	-

Snackcombo II Parts Manual

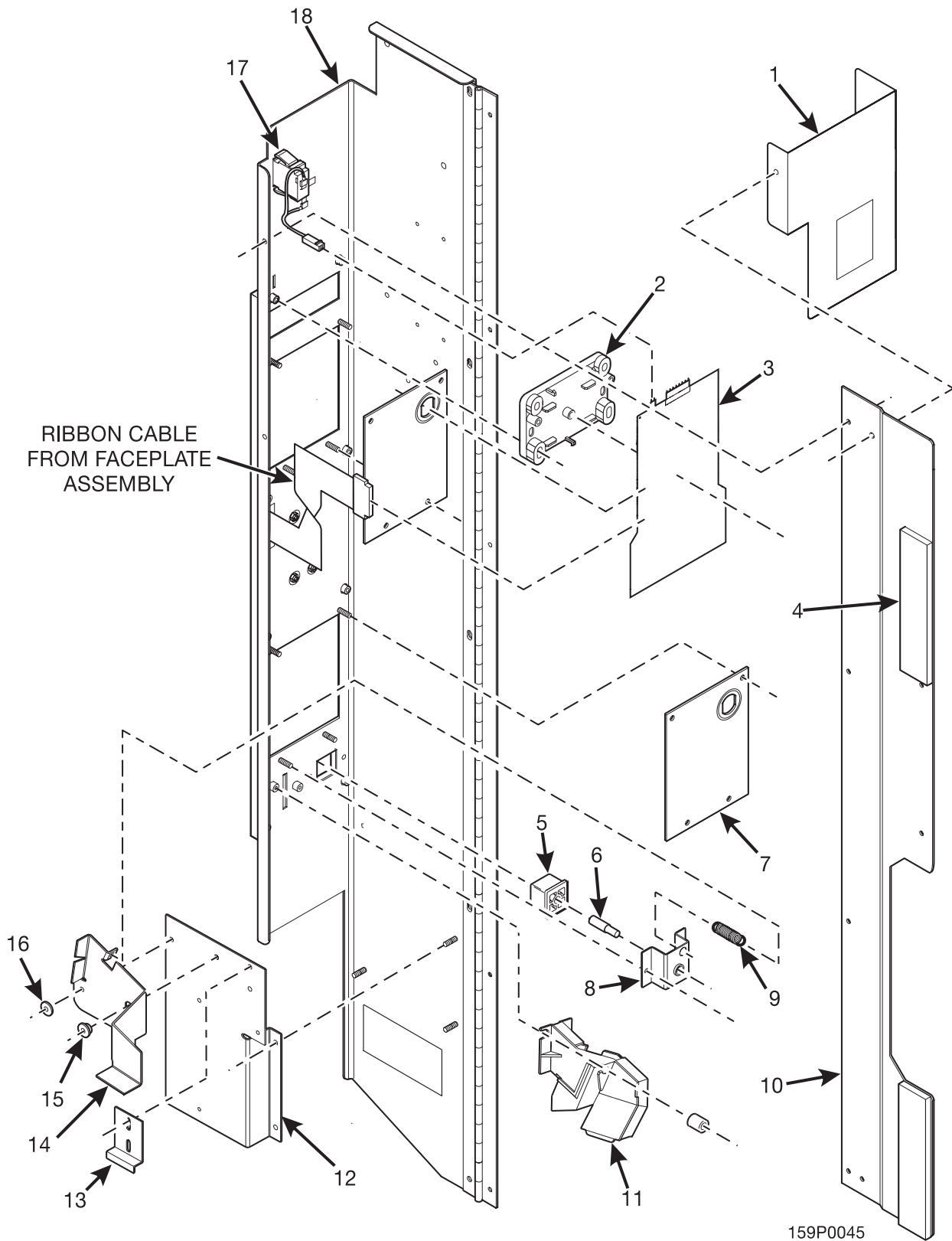


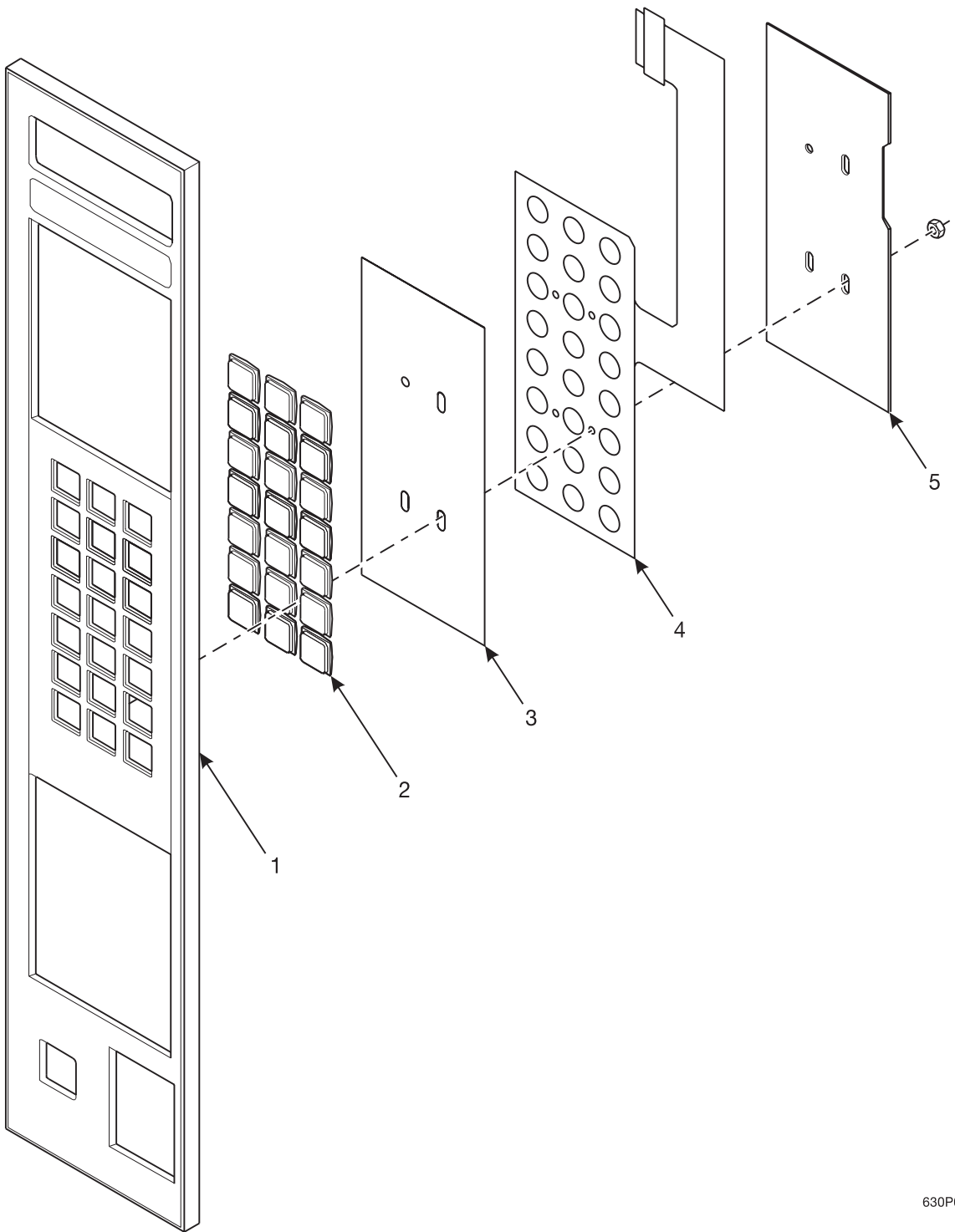
Figure 28. Monetary Panel Assembly (Part 2 of 3)

Snackcombo II Parts Manual

TABLE 28. MONETARY PANEL ASSEMBLY (PART 2 OF 3)

INDEX	PART NUMBER	DESCRIPTION	QTY.
1	1595029	COVER - DISPLAY	1
2	1475099	BRACKET - PCB DISPLAY	1
3	9989685	PCB ASEMBLY - DISPLAY	1
4	3122056	MAGNET - COIN CHANGER RETAINER	1
5	1475026	BUTTON - COIN RETURN	2
6	1475072	SHAFT - RETURN BUTTON	1
7	1575048	PLATE - INSERT BACKING (FIGURE 30)	-
8	1571079	BRACKET - COIN RETURN BUTTON	1
9	1127808	SPRING - SHELF RESET	1
10	1575057	PLATE - MAGNET MOUNTING	1
	1575080	MAGNET MOUNTING PLATE - CASHCODE	
11	1575003	COIN CHUTE ASSEMBLY	1
12	1571078	BRACKET - COIN MECHANISM	1
13	6231037	CLAMP - CABLE	1
14	1571113	ARM - SCAVENGER	1
15	2228011	SPACER - RELEASE ARM	1
16	2204093	WASHER - SCAVENGER BAR	1
17	9989594	SWITCH - PUSH/PULL - PANEL MOUNTING	REF.
18	1575094	MONETARY PANEL WELD ASSEMBLY	REF.
	1575097	PANEL WELD ASSEMBLY - CASHCODE - BLACK	

Snackcombo II Parts Manual



630P0021

Figure 29. Monetary Panel Assembly (Part 3 of 3)

Snackcombo II Parts Manual

TABLE 29. MONETARY PANEL ASSEMBLY (PART 3 OF 3)

INDEX	PART NUMBER	DESCRIPTION	QTY.
1	1595013	SELECTION PANEL-MONETARY	1
2	1472251	LENS-PUSH BUTTON	21
3	1595002	LETTER SHEET-SELECT SWITCH - GLASCO	1
4	9984625	MEMBRANE SWITCH ASSY-SELECT	1
5	1575009	PLATE-SELECT SWITCH-BACK UP	1

Snackcombo II Parts Manual

MONETARY INSERTS - UPPER POSITION



1575012

COINS & BILLS:
U.S.A.,
CANADA,
CHINA



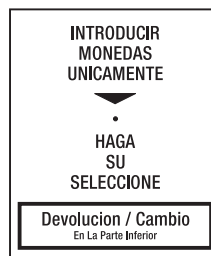
1575013

COINS ONLY:
U.S.A.,
CANADA



1595007

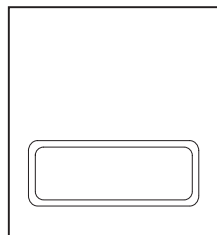
COINS & BILLS:
LATIN AMERICA



1595005

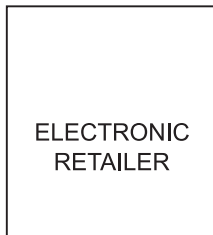
COINS ONLY:
LATIN AMERICA

MONETARY INSERTS - LOWER POSITION



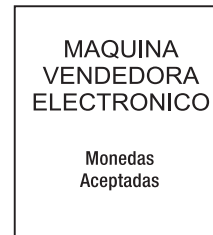
1575077

CASH CODE:
CHINA



1575035

COINS ONLY:
U.S.A.,
CANADA



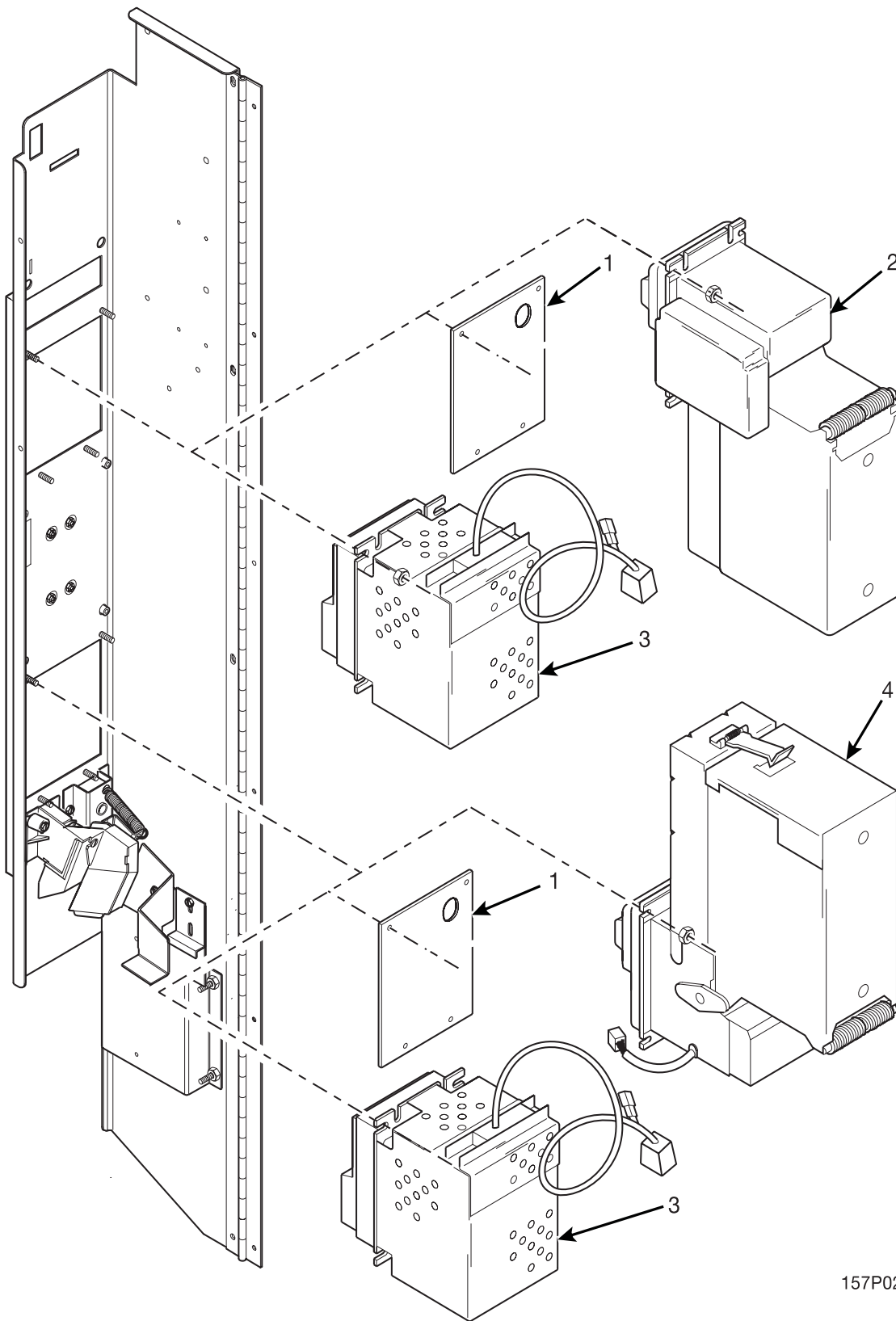
1595012

COINS ONLY:
LATIN AMERICA

490p0037

Figure 30. Monetary Inserts

Snackcombo II Parts Manual



157P0285

Figure 31. Card Reader and Bill Validator Combinations

Snackcombo II Parts Manual

TABLE 31. CARD READER AND BILL VALIDATOR COMBINATIONS

INDEX	PART NUMBER	DESCRIPTION	QTY.
	-	MONETARY PANEL WELD ASSEMBLY (REF)	1
1	1575048	PLATE - INSERT BACKING	1
2	-	DOWNSTACK BILL VALIDATOR	OPT
3	-	DEBIT CARD READER	OPT
4	-	UPSTACK BILL VALIDATOR	OPT

TABLE 31A. MONETARY LOCATION OPTIONS

MONETARY CAPABILITY	MONETARY PANEL LOCATION		WITH COIN?
	UPPER	LOWER	
COIN - VAL - CARD	CARD READER	UPSTACK VALIDATOR	YES
COIN - VAL - CARD	DOWNSTACK VALIDATOR	CARD READER	YES
COIN - VAL	INSERT INSTRUCTIONS BACK-UP PLATE (1575048)	UPSTACK VALIDATOR	YES
COIN - VAL	DOWNSTACK VALIDATOR	INSERT INSTRUCTIONS BACK-UP PLATE (1575048)	YES
COIN - CARD	INSERT INSTRUCTIONS BACK-UP PLATE (1575048)	CARD READER	YES
COIN - CARD	CARD READER	INSERT INSTRUCTIONS BACK-UP PLATE (1575048)	YES
VAL - CARD	DOWNSTACK VALIDATOR	CARD READER	NO
VAL - CARD	CARD READER	DOWNSTACK VALIDATOR	NO
COIN ONLY	INSERT INSTRUCTIONS BACK-UP PLATE (1575048)	INSERT INSTRUCTIONS BACK-UP PLATE (1575048)	YES
VAL ONLY	INSERT INSTRUCTIONS BACK-UP PLATE (1575048)	UPSTACK VALIDATOR	NO
VAL ONLY	DOWNSTACK VALIDATOR	INSERT INSTRUCTIONS BACK-UP PLATE (1575048)	NO
CARD ONLY	CARD READER	INSERT INSTRUCTIONS BACK-UP PLATE (1575048)	NO
CARD ONLY	INSERT INSTRUCTIONS BACK-UP PLATE (1575048)	CARD READER	NO

NOTES:
ALL ITEMS ARE SECURED WITH FOUR NUTS (P/N 9900081).
SHADED ITEMS REPRESENT ALTERNATE CONFIGURATIONS

Snackcombo II Parts Manual

TABLE 31B. BILL VALIDATOR OPTIONS

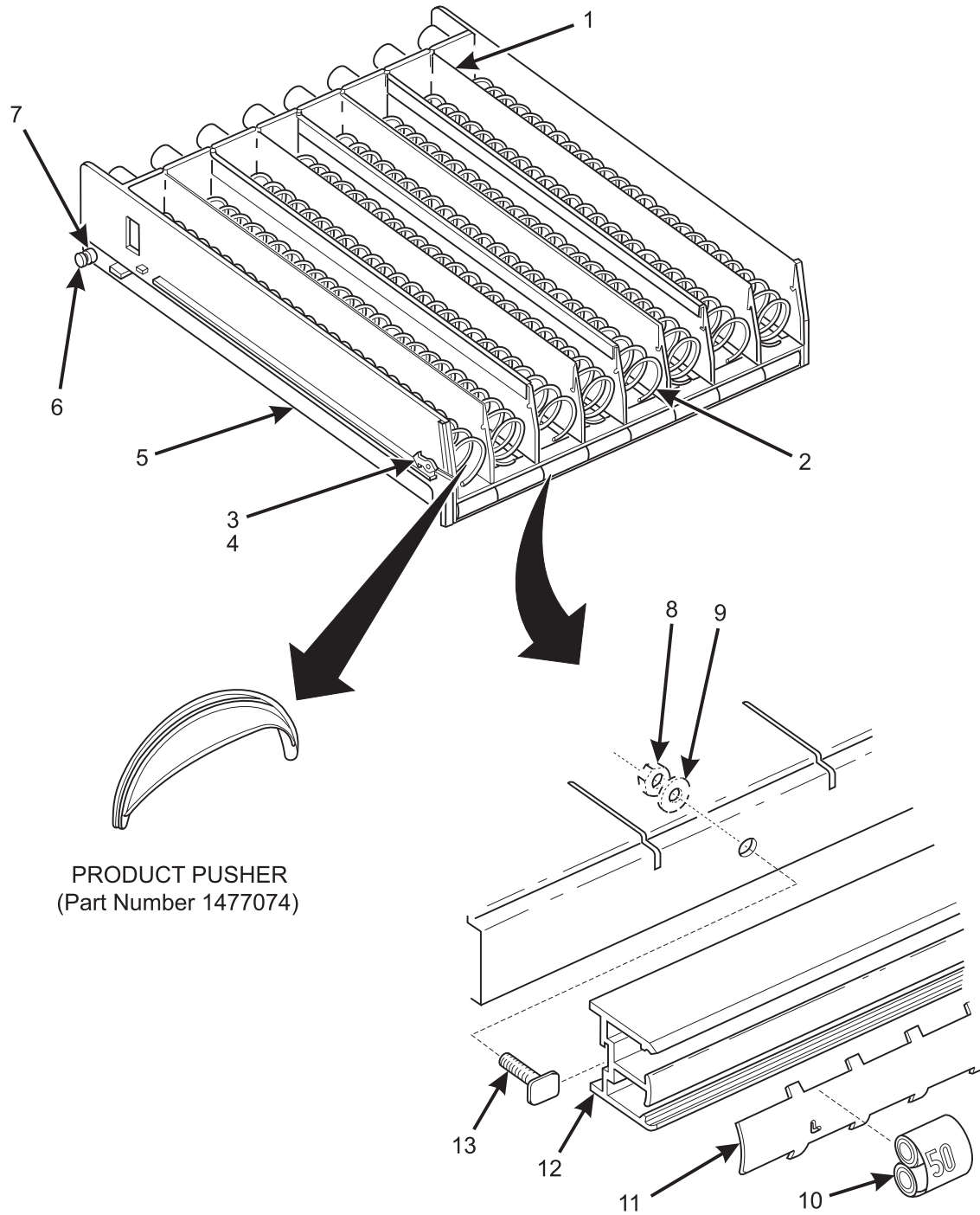
PART NUMBER	DESCRIPTION	HARNESS PART NUMBER
5900198	VALIDATOR - MARS - S2000 - VN2311 - U5E	1579005
5900182	VALIDATOR - COINCO - BA305A	1579028
5900193	VALIDATOR - MARS - S2000 - VN2511 - U5E -CN5	1579028
5900233	VALIDATOR - CONLUX MKA 2152-12B 120V	1579028
5900205	VALIDATOR - MARS - VN2512-U5E - 24V	1579032 (HAR- NESS) 9989718 (JUMPER)
5900221	VALIDATOR - COINCO - BA32SA - 24V	
5900234	VALIDATOR - CONLUX - 2162 - 24V - 300	
1475053	VALIDATOR - MAKA - NB - 1KB - 400 WITH MASK "K" INSTALLED	1579006
3152444	VALIDATOR - MARS - VFM1 - S1 - U4C -CNSMT	1579005
3152391	VALIDATOR - MARS VFM3 - S1 - U4C -CNSMT	1579028
MDB VALIDATOR OPTIONS		
5900182	VALIDATOR - COINCO - BA 30SA	1579034
5900210	VALIDATOR - MARS - VN2512 - USM/500 -MDB	-
5900234	VALIDATOR - COINLUX - 2162 - 24V - 300	1579050
5900242	VALIDATOR - CASHCODE - MDB - CHINA	-
5900245	STACKER - CASHCODE - 400 BILL - WITH LOCK	-

Snackcombo II Parts Manual

TABLE 31C. COIN MECHANISM OPTIONS

PART NUMBER	DESCRIPTION
5900116	MARS TRC6000 COIN UNIT
5307321	COINTRON 3000 - US COIN VAL
5900096	COINCO 9340L COIN UNIT
5900112	MARS MC5000 COIN UNIT
6400002	COIN CHANGER - MARS #TRC 6010XV
6000003	COIN CHANGER - COINCO # 9302LF-24
5900094	COINCO 9300L COIN UNIT
5900192	COIN UNIT - COINLUX USLX00401F
5900213	COIN UNIT - COINCO - 9302 - GX - MDB
5900209	COIN UNIT - CONLUX - USLZ - 001 - MDB
5900214	COIN UNIT - MARS - VN 4510 - MDB
5900216	COIN UNIT - MARS - VN 4000, 110V
5900217	COIN UNIT - MARS - VN 4010 XV - 24V
5900192	COIN UNIT - CONLUX - USLX 00401F
5900237	COIN UNIT - CONLUX - USLX - 001 120V
5900244	COIN UNIT - COINCO USD - 6701 - MDB
5900243	COIN UNIT - TRC 65 12 MDB - CNSINM

Snackcombo II Parts Manual



157P0269

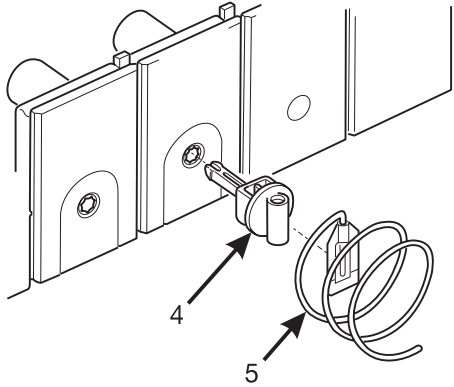
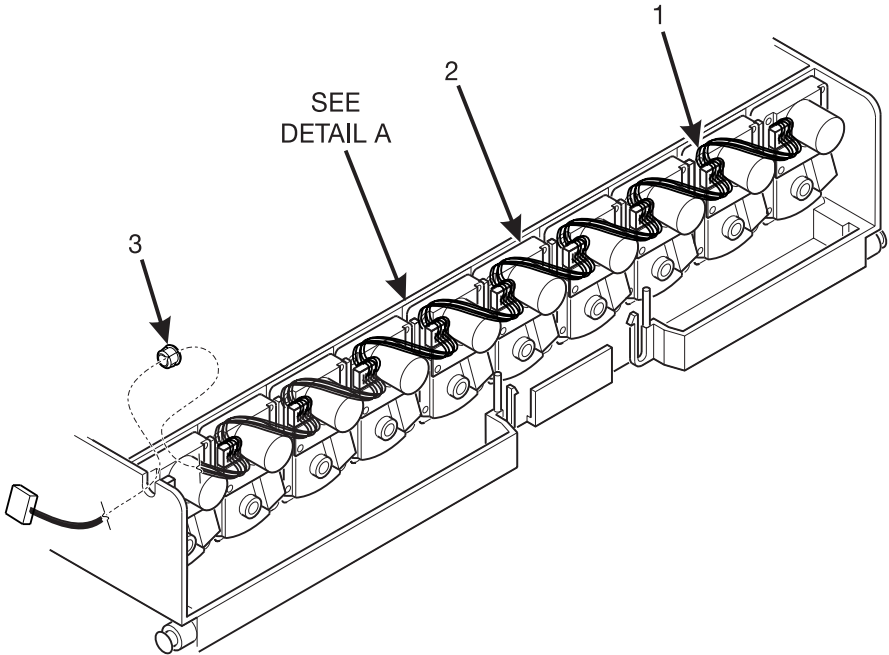
Figure 32. Candy Tray Assembly (Part 1 of 2)

Snackcombo II Parts Manual

TABLE 32. CANDY TRAY ASSEMBLY (PART 1 OF 2)

ITEM	PART NUMBER	DESCRIPTION	QTY.
-	1607002	TRAY ASSEMBLY - 8 CANDY	1
1	1477175	WALL - TRAY	7
2	-	SPIRAL (OPTIONAL) (FIGURE 37A)	-
3	1477017	LATCH	2
4	5201267	PUSH-ON RETAINER - .312	2
5	1587003	TRAY - 4 & 8 DIVISION	1
6	1477097	AXLE - TRAY ROLLER	2
7	1477148	ROLLER - TRAY	2
8	9900030	NUT #8-32 SELF-LOCKING	2
9	5560113	WASHER - HOPPER RELEASE	2
10	1477014	ROLL - PRICE - CENTS	8
11	1487016	HOLDER - PRICE & SELECTION	1
12	1487009	RAIL - PRICE & SELECTION	1
13	2222031	TEE BOLT - TRIM	2

Snackcombo II Parts Manual



159PO025

DETAIL A

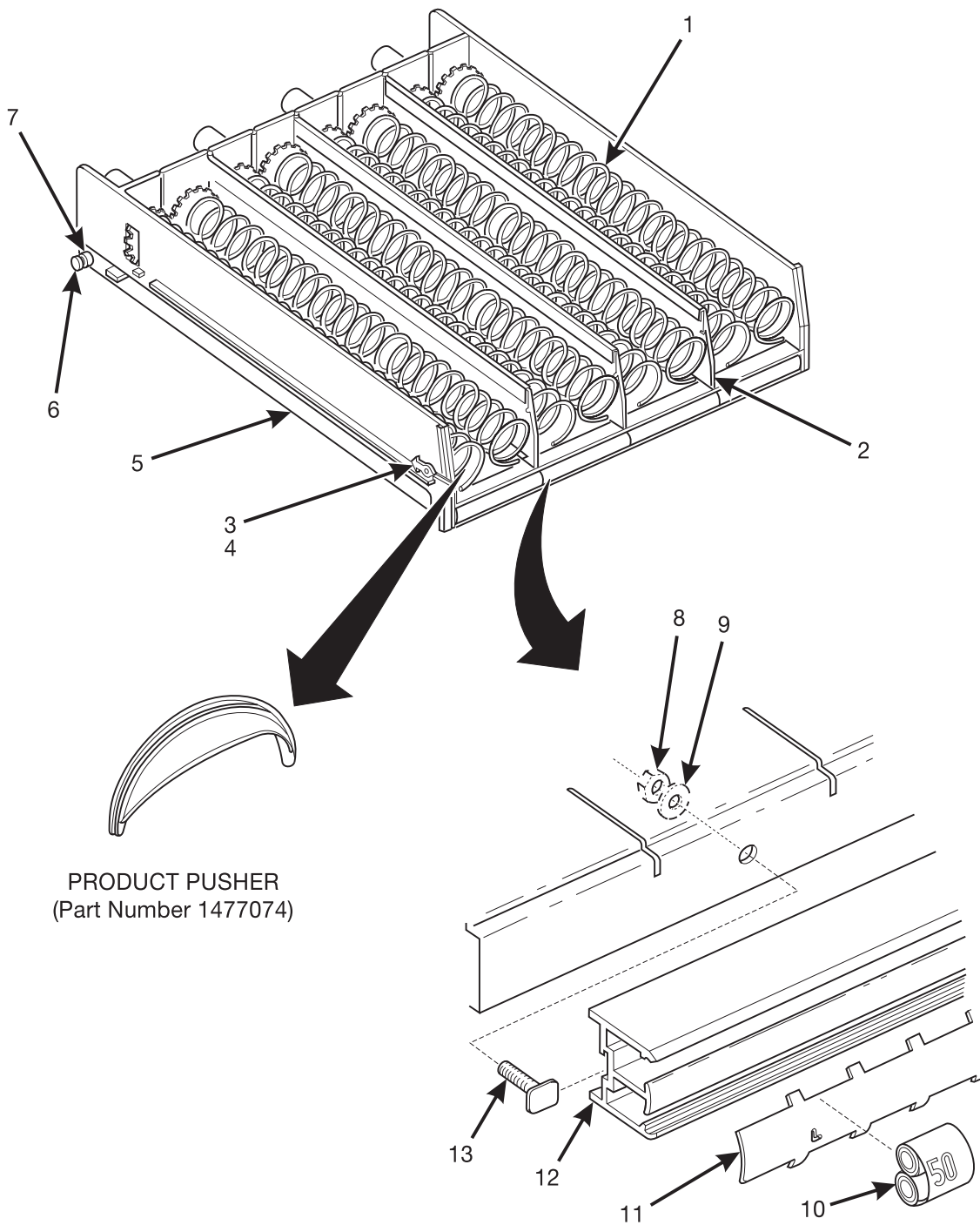
Figure 33. Candy Tray Assembly (Part 2 of 2)

Snackcombo II Parts Manual

TABLE 33. CANDY TRAY ASSEMBLY (PART 2 OF 2)

INDEX	PART NUMBER	DESCRIPTION	QTY.
1	1599018	HARNESS - 8 MOTOR TRAY (10 MOTOR TRAY SHOWN)	1
2	1577035	MOTOR & PCB ASSEMBLY (8 MOTOR TRAY)	8
3	3502097	BUSHING	1
4	1477113	COUPLING - SPIRAL (8 MOTOR TRAY)	8
5	-	SPIRALS (FIGURE 37A)	-

Snackcombo II Parts Manual



485P0017

Figure 34. Snack Tray Assembly (Part 1 of 2)

Snackcombo II Parts Manual

TABLE 34. SNACK TRAY ASSEMBLY (PART 1 OF 2)

ITEM	PART NUMBER	DESCRIPTION	QTY.
-	1607001	TRAY ASSEMBLY - 4 SNACK	1
1	-	SPIRAL (FIGURE 37A)	-
2	1477175	WALL - TRAY	3
3	1477017	LATCH	2
4	5201267	PUSH ON RETAINER - .312	2
5	1587003	TRAY - 4 & 8 DIVISION	1
6	1477097	AXLE - TRAY ROLLER	2
7	1477148	ROLLER - TRAY	2
8	9900030	NUT #8-32 SELF - LOCKING	2
9	5560113	WASHER - HOPPER RELEASE	2
10	1477014	ROLL - PRICE - CENTS	4
11	1487016	HOLDER - PRICE & SELECTION	1
12	1487009	RAIL - PRICE & SELECTION	1
13	2222031	TEE BOLT - TRIM	2

Snackcombo II Parts Manual

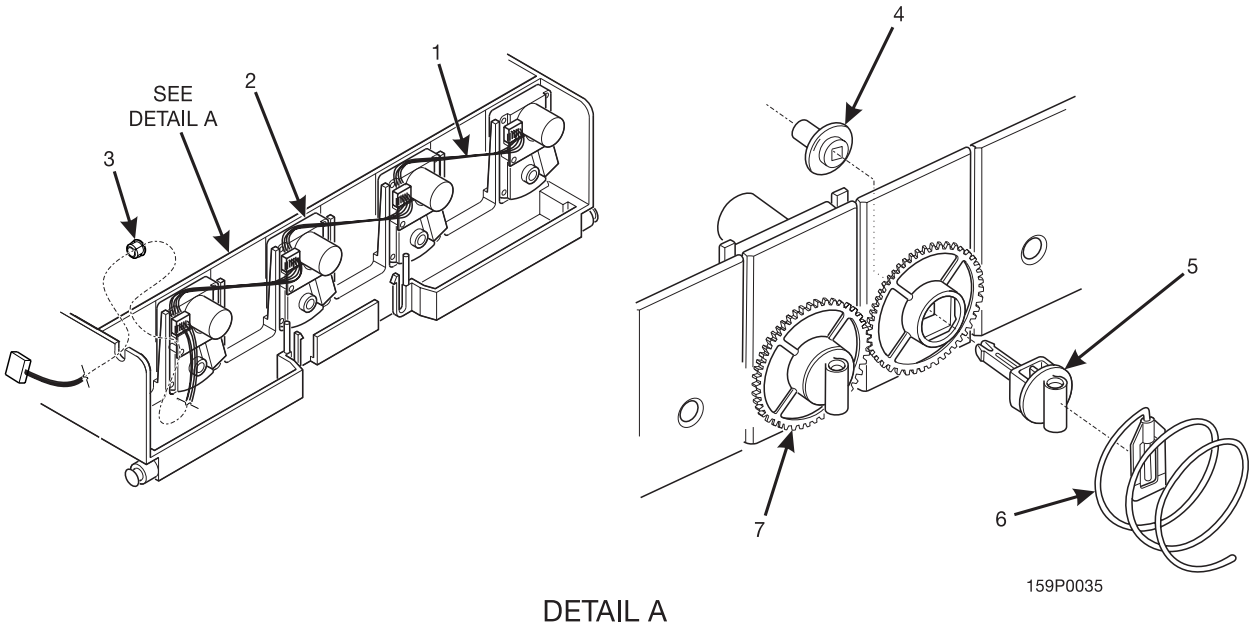


Figure 35. Snack Tray Assembly (Part 2 of 2)

Snackcombo II Parts Manual

TABLE 35. SNACK TRAY ASSEMBLY (PART 2 OF 2)

INDEX	PART NUMBER	DESCRIPTION	QTY.
1	1599016	HARNESS - 4 MOTOR TRAY	1
2	1577035	MOTOR & PCB ASSEMBLY (4 MOTOR TRAY)	4
3	3502097	BUSHING	1
4	1477022	BEARING - COUPLER (4 MOTOR TRAY)	4
5	1477113	COUPLING - SPIRAL (4 MOTOR TRAY)	8
6	-	SPIRALS (FIGURE 37A)	-
7	1477020	GEAR - TRAY (4 MOTOR TRAY)	8

Snackcombo II Parts Manual

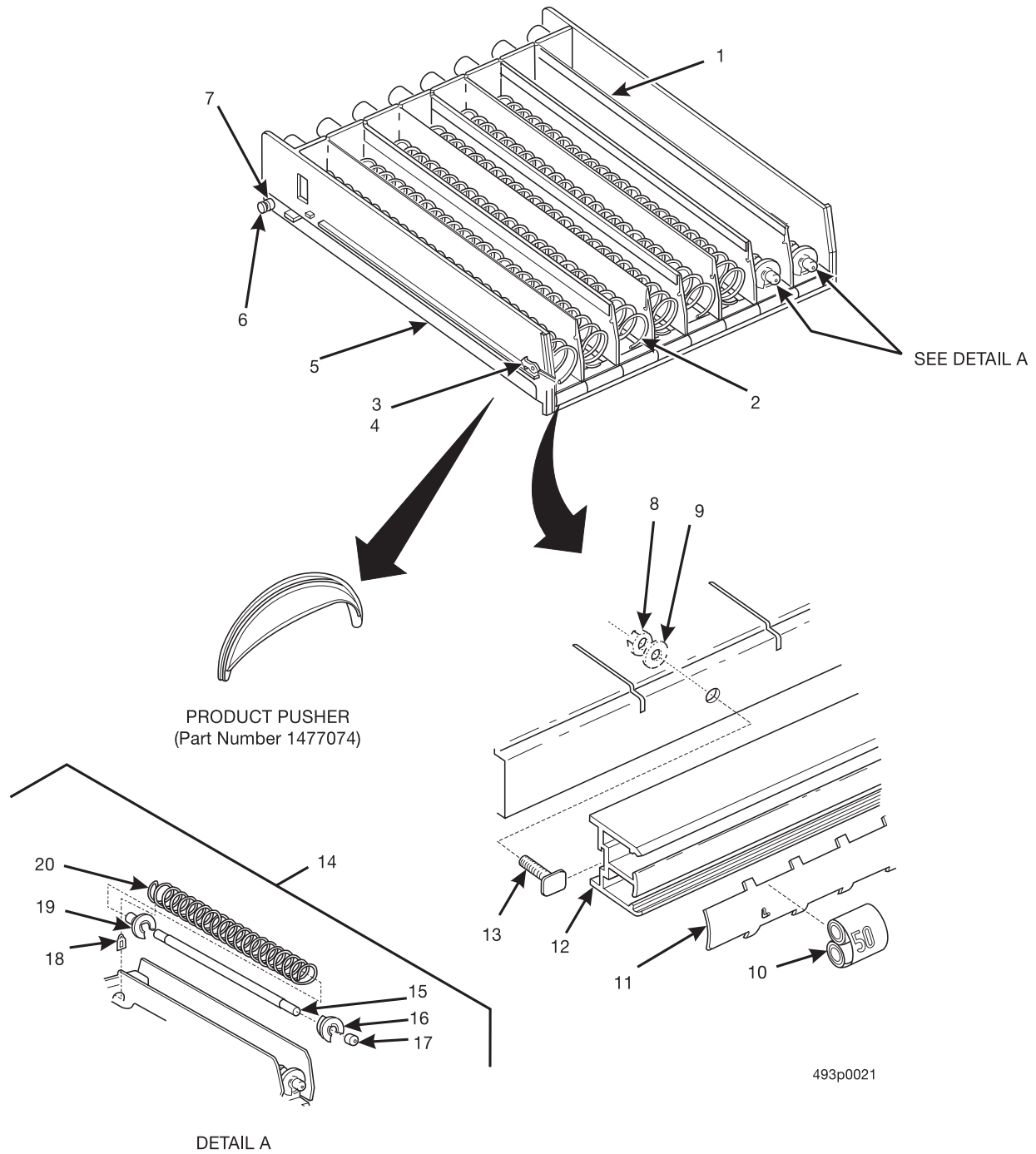


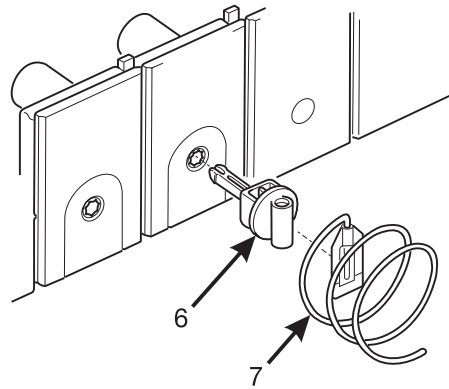
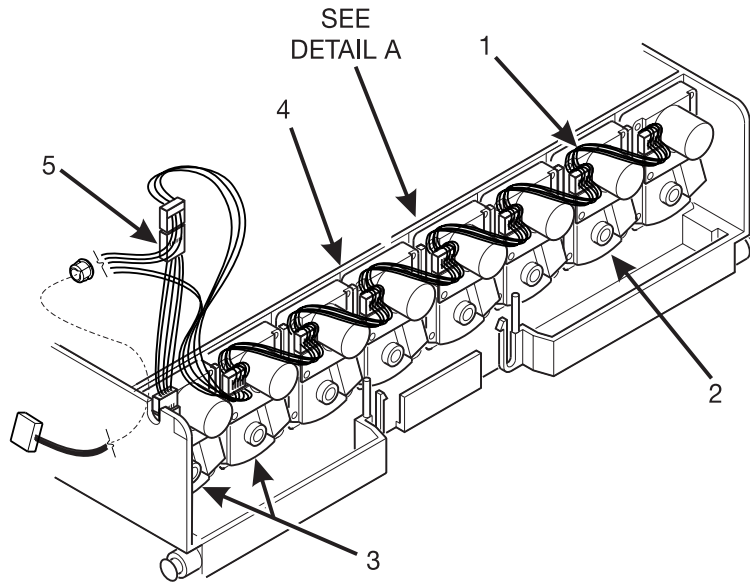
Figure 36. Gum and Mint Tray Assembly (Part 1 of 2)

Snackcombo II Parts Manual

TABLE 36. GUM AND MINT TRAY ASSEMBLY (PART 1 OF 2)

ITEM	PART NUMBER	DESCRIPTION	QTY.
-	1607003	TRAY ASSEMBLY - 6 CANDY - 2 GUM	1
1	1477175	WALL - TRAY	7
2	-	SPIRAL (FIGURE 37A)	-
3	1477017	LATCH	2
4	5201267	PUSH ON RETAINER - .312	2
5	1587003	TRAY - 4 & 8 DIVISION	2
6	1477097	AXLE - TRAY ROLLER	2
7	1477148	ROLLER - TRAY	2
8	9900030	NUT #8-32 SELF-LOCKING	2
9	5560113	WASHER - HOPPER RELEASE	2
10	1477014	ROLL - PRICE - CENTS	8
11	1487016	HOLDER - PRICE & SELECTION	1
12	1487009	RAIL - PRICE & SELECTION	1
13	2222031	TEE BOLT - TRIM	2
14	1467127	SPIRAL ASSEMBLY - DUAL GUM & MINT (INCLUDES INDEX NUMBERS 16 - 21)	2
15	1467131	SPIRAL INSERT ASSEMBLY	1
16	1467129	DISC - SPIRAL INSERT	1
17	1467136	CAP - SPIRAL INSERT	2
18	1467130	DISC - SPIRAL INSERT	1
19	1467137	RETAINER - SPIRAL - ORANGE	1
20	1467128	SPIRAL - 2.65 DIAMETER - DUAL GUM & MINT	1

Snackcombo II Parts Manual



159P0038

Figure 37. Gum and Mint Tray Assembly (Part 2 of 2)

Snackcombo II Parts Manual

TABLE 37. GUM AND MINT TRAY ASSEMBLY (PART 2 OF 2)

ITEM	PART NUMBER	DESCRIPTION	QTY.
1	1599018	HARNESS - 8 MOTOR TRAY (10 MOTOR HARNESS SHOWN)	1
2	1577035	MOTOR & PCB ASSEMBLY	6
3	1477114	MOTOR & PCB ASSEMBLY	2
4	3502097	BUSHING	1
5	1477156	JUMPER ASSEMBLY - MOTOR REVERSING	1
6	1477113	COUPLING - SPIRAL	8
7	-	SPIRAL (FIGURE 37A)	-

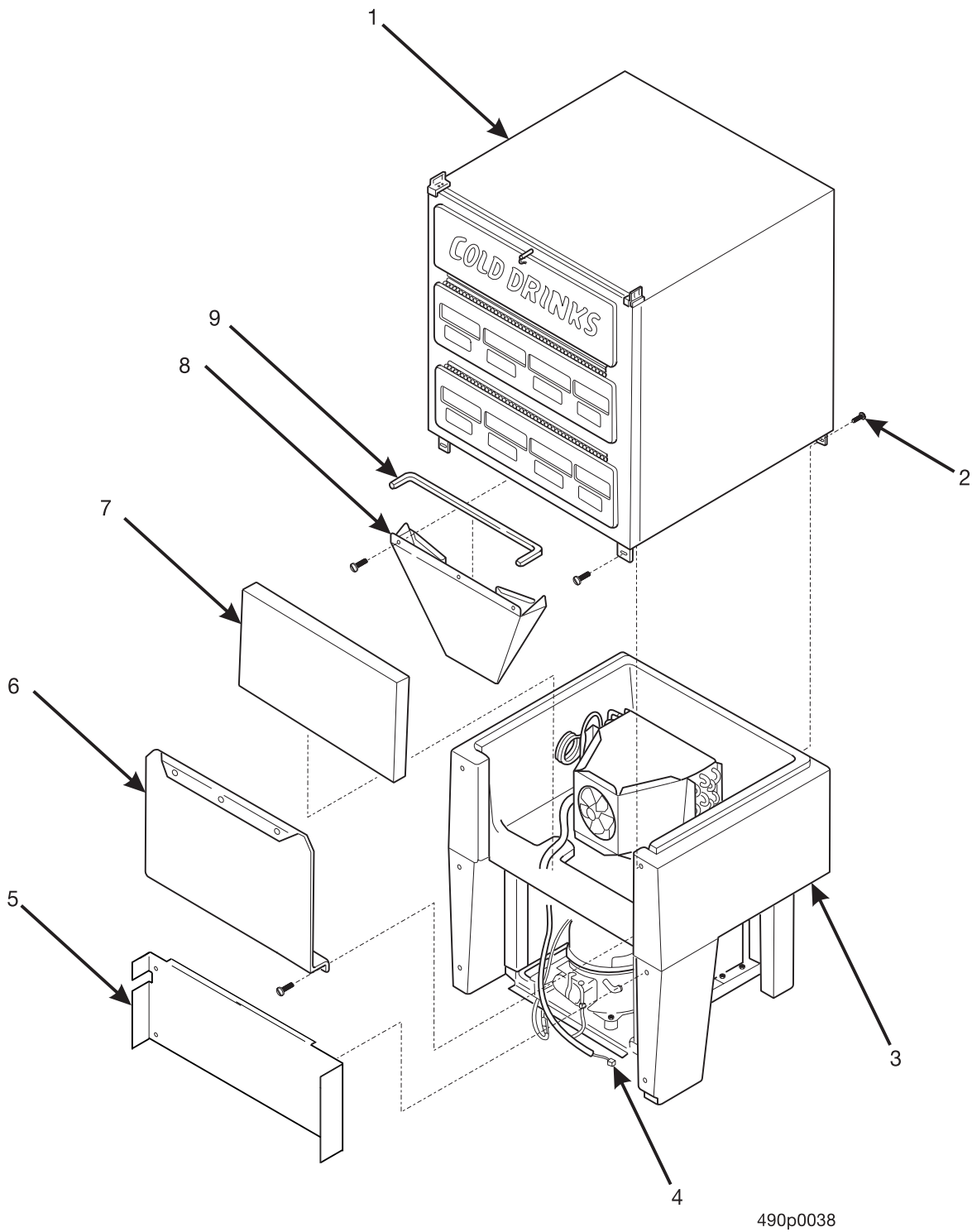
TABLE 37A. SPIRAL OPTIONS

			PART NUMBERS			
			LEFT HAND		RIGHT HAND	
Spiral Count	Retainer Color	Retainer	Assembly	Spiral	Assembly	Spiral
6	PURPLE	1477107	1477103	1477102	1477105	1477104
9	GRAY	1477155	1477149	1477150	1477152	1477153
11	BLUE	1457061	1477023	1477024	1477026	1477027
13	YELLOW	1457062	1477029	1477030	1477032	1477033
15	RED	1457063	1477035	1477063	1477038	1477039
17	BROWN	1477106	1477101	1477100	1477099	1477098
20	WHITE	1457064	1477041	1477042	1477044	1477045
25	GREEN	1457065	1477047	1477048	1477050	1477051
30	BLACK	1477073	1477053	1477054	1477056	1477057

TABLE 37B. PRICE ROLLS FOR TRAYS

PART NUMBER	DESCRIPTION
1477014	ROLL - PRICE - CENTS
1477015	ROLL - PRICE - DOLLARS

Snackcombo II Parts Manual



490p0038

Figure 38. Can and Refrigeration Module

Snackcombo II Parts Manual

TABLE 38. CAN AND REFRIGERATION MODULE

INDEX	PART NUMBER	DESCRIPTION	QTY.
1	4847001	CAN MODULE ASSY - 8 SELECT (110V)	1
	4877000	CAN MODULE ASSY - 8 SELECT (220V)	
2	4727144	SCREW - #8-18 X .62 HEX HEAD	4
3	4844005	REFRIGERATION MODULE ASSEMBLY - FINAL - R134A -CAN (110V)	1
	4854002	REFRIGERATION MODULE ASSEMBLY - FINAL - CAN (230 VOLT)	
4	4849025	HARNESS - CAN/CHILLER COMPRESSOR	1
5	1581028	COVER & SEAL ASSEMBLY - COMPRESSOR (MODEL 484) (SHOWN)	1
6	4744042	DOOR - RETAINER	1
7	4744027	DOOR - REFRIGERATION MODULE	1
8	4744024	DUCT ASSEMBLY - AIR DISTRIBUTION	1
9	4744028	GASKET - DUCT DISTRIBUTION	1

THE FOLLOWING IS AVAILABLE AS AN ASSEMBLY

4744023	DUCT & GASKET ASSEMBLY (INCLUDES INDEX NUMBERS 8 & 9)
---------	---

Snackcombo II Parts Manual

TABLE 39. REFRIGERATION MODULE ASSEMBLY - CAN (110V) - NO CHILL

PART NUMBER	DESCRIPTION	QTY.
4844005	REFRIGERATION MODULE ASSEMBLY FINAL - R134A -CAN	1
4744045	SHROUD - EVAPORATOR FAN	1
4724124	FAN - EVAPORATOR	1
4744020	SHROUD - TOP	1
4119013	PROBE - TEMPERATURE SENSOR	1
4774013	BUSHING - OPEN/CLOSED - .38	1
4744030	PLATE - TEMPERATURE SENSOR	1
4744017	GASKET - REFRIGERATION MODULE	1
4844026	EVAPORATOR AND TUBE ASSEMBLY - TECUMSEH	1
3128063	DRAIN - WATER BATH	1
4744002	HOUSING - REFRIGERATION MODULE	1
4644008	TRIAC & SUPPORT ASSEMBLY - CAN/CHILL	1
3608149	BLADE - CONDENSER FAN FV-700CW20P	1
4043121	SILENCER - FAN - MORRIL S-5847-1	1
4744112	MOTOR - CONDENSER FAN	1
4744009	BRACKET - CONDENSER MOTOR	1
4724070	SLEEVE - 23/32" LENGTH	4
4724066	GROMMET - 11/16 HIGH	4
4844002	BASE & STUD ASSEMBLY - CONDENSER	1
4304192	LABEL - R134A - SMALL	1
4744022	PAN - CONDENSATE	1
4744108	COMPRESSOR - AZ037OY - R134A	1
3608146	SHROUD - CONDENSER FAN	1
4744109	CONDENSER - W/PROCESS TUBE	1
4849025	HARNESS - CAN/CHILLER COMPRESSOR	1
2204513	WIRE TIE #PLT 1.5IM (NOT SHOWN)	1
4301152	DRAIN - CONDENSATE	1

Snackcombo II Parts Manual

TABLE 40. REFRIGERATION MODULE ASSEMBLY - CAN - AMBIENT - 230 V - FINAL

PART NUMBER	DESCRIPTION	QTY.
4644008	TRIAC AND SUPPORT ASSEMBLY - CHILLED/CAN	1
.4844001	EVAPORATOR FAN - 230 V	1
4119013	TEMPERATURE SENSOR PROBE	1
4854004	REFRIGERATION MODULE ASSEMBLY - R134A (INCLUDES BUT NOT LIMITED TO THE FOLLOWING):	1
3608149	CONDENSER FAN BLADE	1
3618157	CONDENSER FAN MOTOR - 230 V	1
4304194	DRIER	1
4744022	CONDENSATE PAN	1
4744109	CONDENSER WITH PROCESS TUBE	1
4844014	COMPRESSOR - 220V	1
4844015	BAG - COMPRESSOR COMPONENTS - 220 V (INCLUDES RELAY, OVERLOAD, COVER, GROMMETS, AND SLEEVES)	1
4844026	EVAPORATOR AND TUBE ASSEMBLY	1
4849025	HARNESS - CAN/CHILLER - COMPRESSOR	1

Snackcombo II Parts Manual

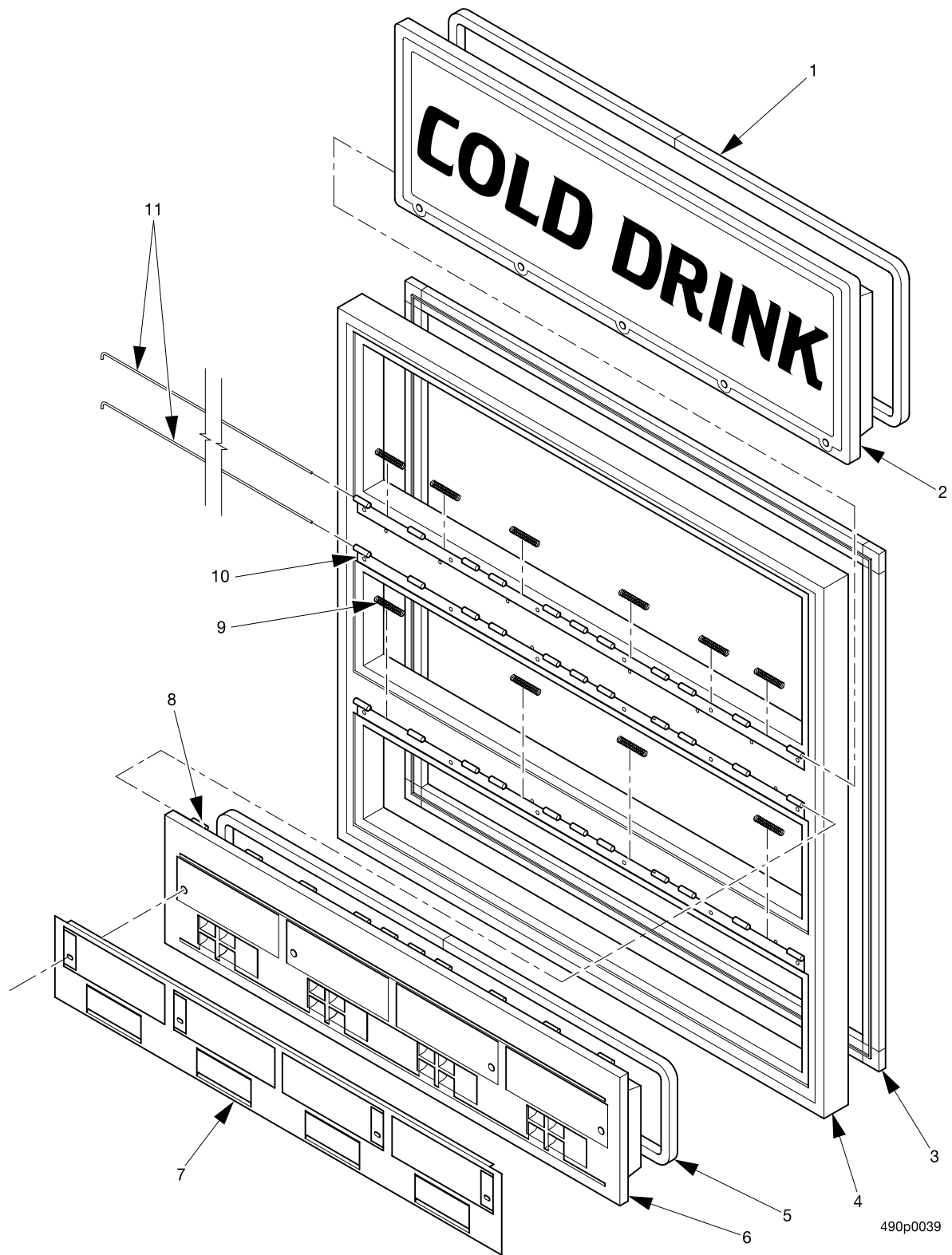


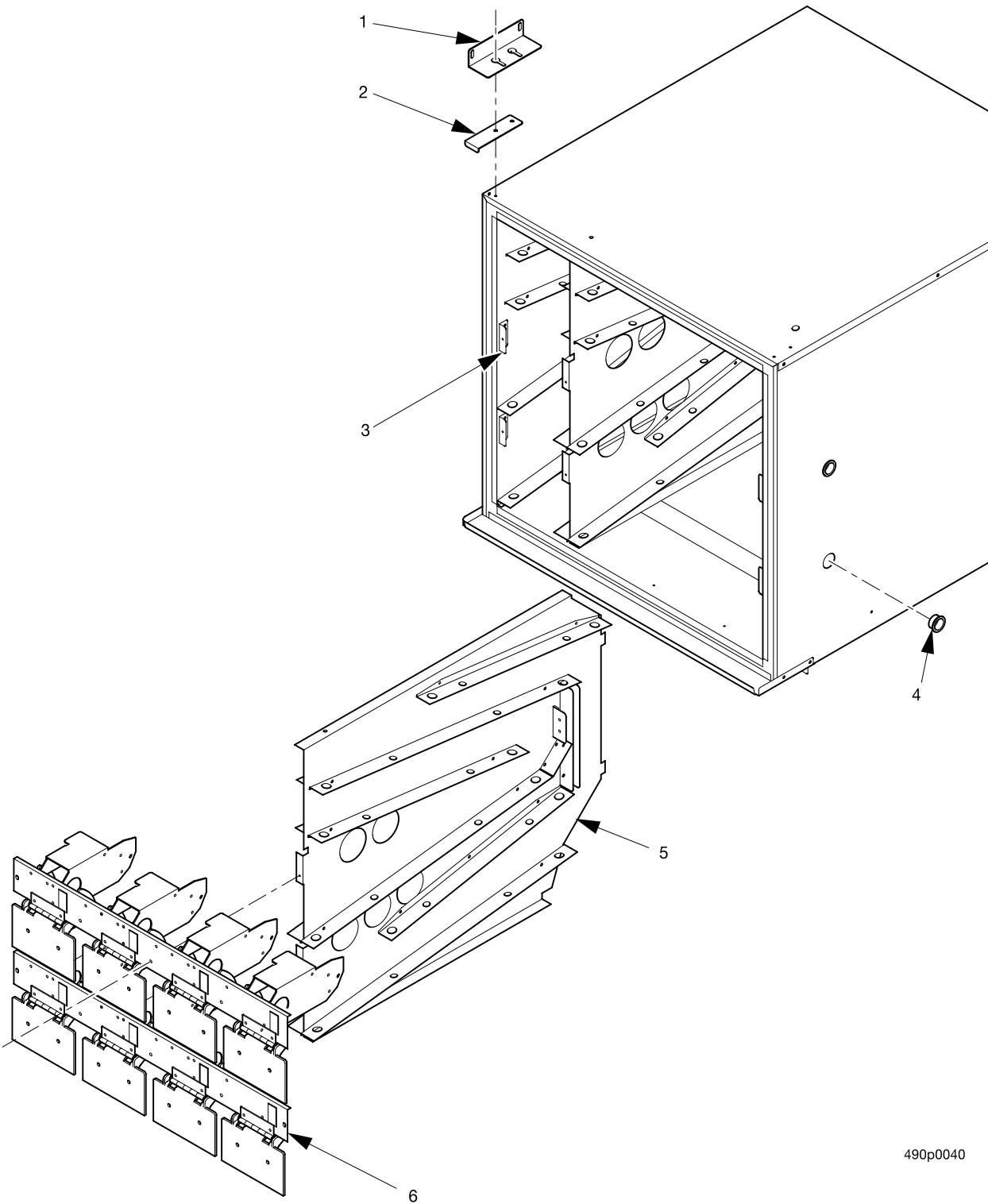
Figure 41. Can Unit Frame Assembly

Snackcombo II Parts Manual

TABLE 41. CAN UNIT FRAME ASSEMBLY

INDEX	PART NUMBER	DESCRIPTION	QTY.
-	4747065	FRAME ASSEMBLY - 8 SELECT	-
1	4747014	GASKET - LOADING DOOR	1
2	4747133	DOOR - LOADING	1
3	4747003	GASKET - FRAME - 8 SELECT	1
4	4747127	FRAME - CAN MODULE - 8 SELECT	1
5	4747009	GASKET - DELIVERY DOOR	2
6	4747134	DOOR - DELIVERY	2
7	4747111	RETAINER - LABEL	2
8	7847004	HINGE - DOOR	3
9	4747064	SPRING - DOOR RETURN	14
10	7847003	HINGE - DELIVERY DOOR	3
11	4747135	PIN - HINGE	3
-	4747159	LOADING DOOR PHOTO "P.O.P." (NOT SHOWN)	OPT.

Snackcombo II Parts Manual



490p0040

Figure 42. Can Compartment Assembly

Snackcombo II Parts Manual

TABLE 42. CAN COMPARTMENT ASSEMBLY

INDEX	PART NUMBER	DESCRIPTION	QTY.
-	4747001	CAN MODULE ASSEMBLY - 8 SELECT	-
1	4741022	RETAINER - CAN MODULE	2
2	4747089	RETAINER - FRAME - UPPER	2
3	4747044	ANGLE - EJECTOR MOUNTING CHANNEL	4
4	4747042	BUSHING - OPEN/CLOSED	4
5	4747110	DIVIDER AND RAIL ASSEMBLY	3
6	4847002	MOTOR & EJECT MTG. CHANNEL ASSEMBLY (FIGURE 43)	2

Snackcombo II Parts Manual

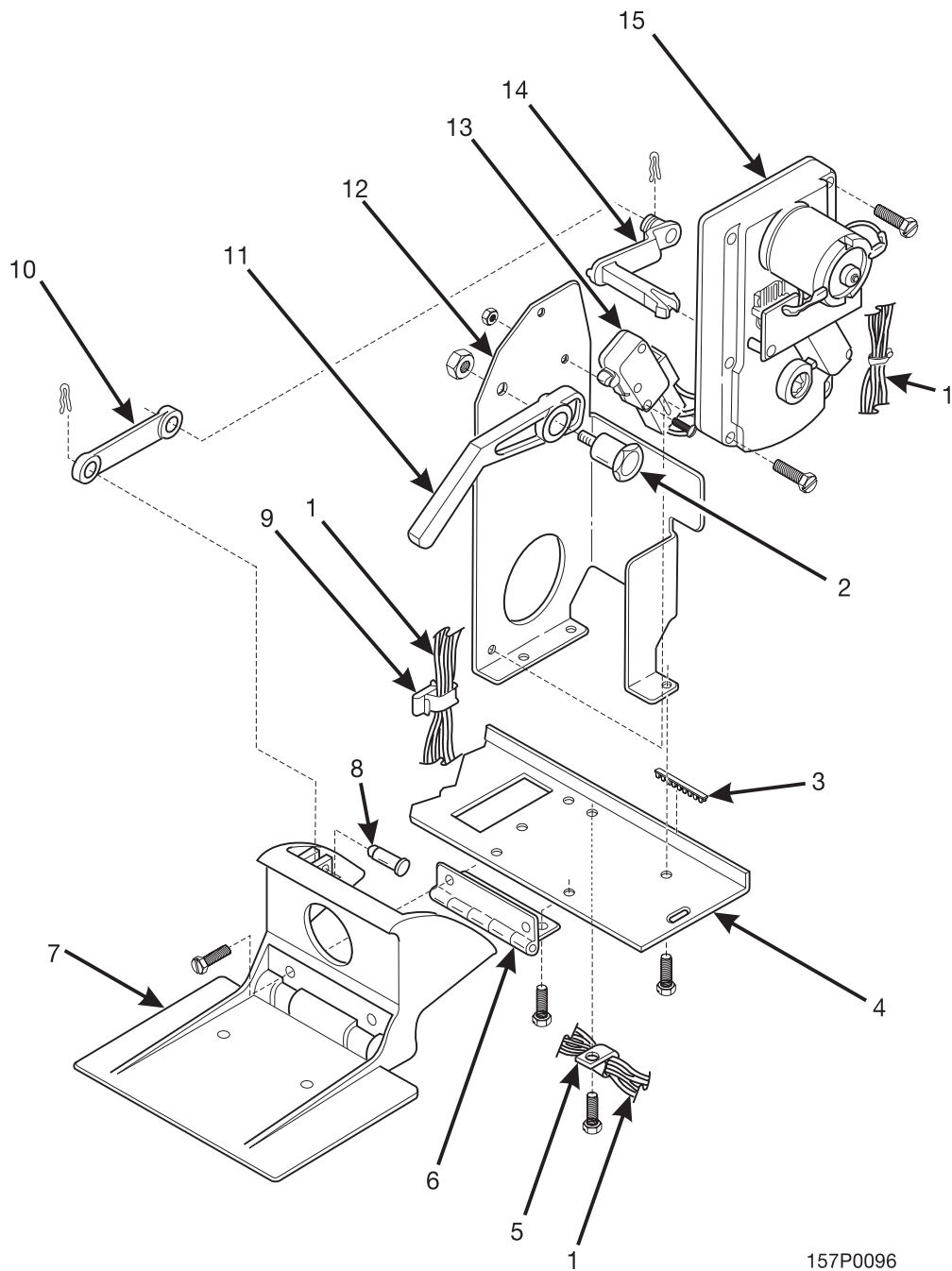


Figure 43. Motor and Ejector Mounting Channel Assembly

Snackcombo II Parts Manual

TABLE 43. MOTOR AND EJECTOR MOUNTING CHANNEL ASSEMBLY

INDEX	PART NUMBER	DESCRIPTION	QTY.
-	4847002	MOUNTING CHANNEL ASSEMBLY - MOTOR AND EJECTOR	-
1	4849028	HARNESS - CAM EJECTORS	1
2	1457099	STUD - TRAY ROLLER	4
3	4712002	EDGING - NYLON - LONG - 1 INCH	4
4	4747029	CHANNEL - MOTOR AND EJECTOR MOUNTING	1
5	2342315	CLIP - WIRE HARNESS	8
6	4747038	HINGE - EJECTOR	1
7	4747606	CAM - EJECTOR	1
8	4747031	PIVOT PIN - EJECTOR CAM	4
9	1212159	CLIP - WIRE	1
10	4747030	ARM - EJECTOR DRIVE	4
11	4747036	SWITCH - ACTUATOR - SOLD OUT	1
12	4747034	BRACKET - MOTOR MOUNTING	1
13	2366091	SWITCH - ROLLER - LEVER	1
14	4747035	CAM - EJECTOR DRIVE	1
15	1577035	PCB AND MOTOR ASSEMBLY	1

Snackcombo II Parts Manual

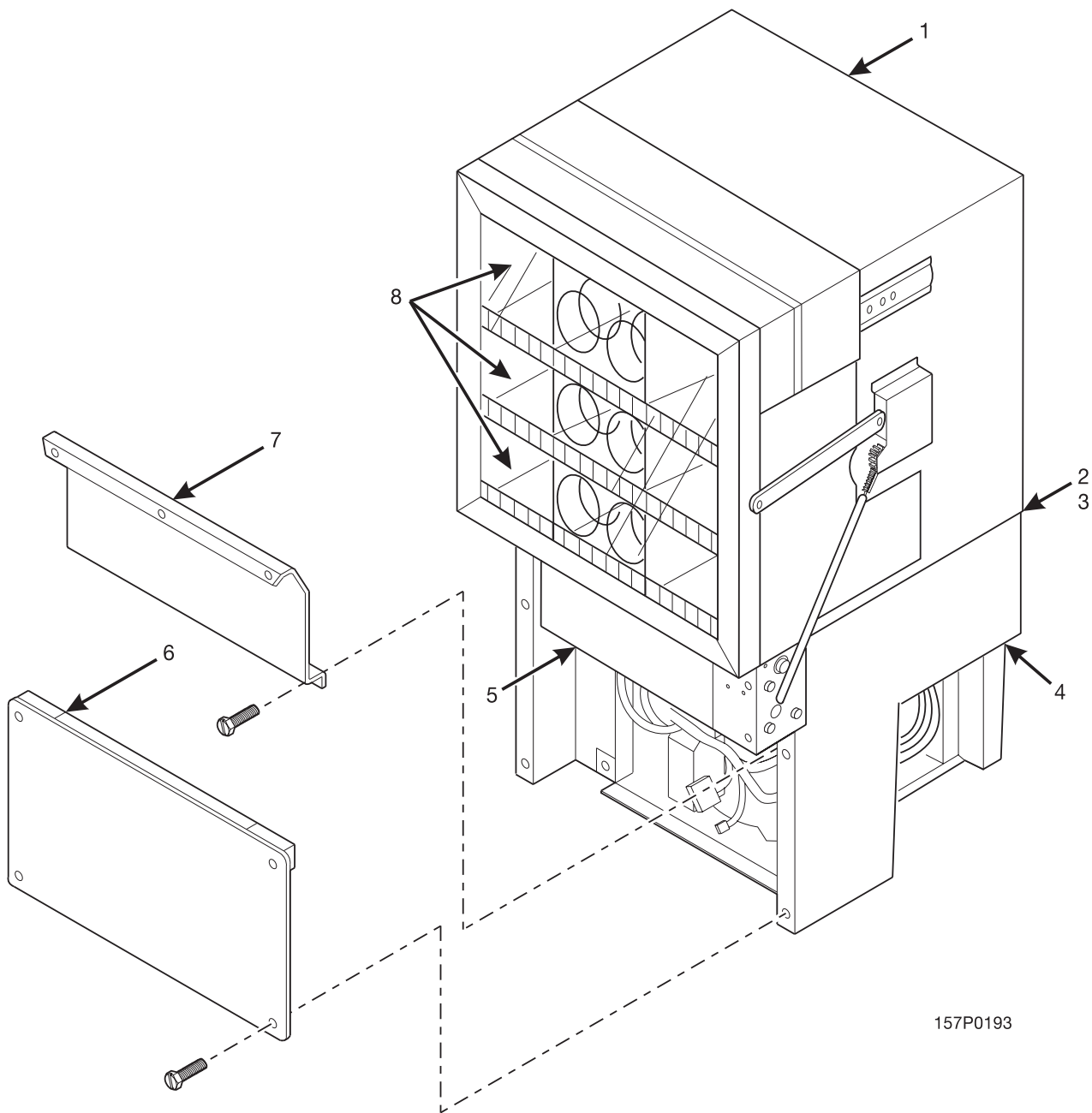


Figure 44. Refrigerated Food Module and Housing Assembly

Snackcombo II Parts Manual

TABLE 44. REFRIGERATED FOOD MODULE AND HOUSING ASSEMBLY

INDEX	PART NUMBER	DESCRIPTION	QTY.
1	4907000	REFRIGERATED FOOD MODULE ASSEMBLY - 110V	1
	4907001	REFRIGERATED FOOD MODULE ASSEMBLY - 220V	
2	4404013	GASKET - REFRIGERATED MODULE - OUTSIDE	1
3	4744017	GASKET - REFRIGERATED MODULE	1
4	4844007	REFRIGERATION MODULE ASSEMBLY - 110V	1
	4844020	REFRIGERATION MODULE ASSEMBLY - REFRIGERATED FOOD (230 V)	
5	4744027	DOOR - REFRIGERATION MODULE	1
6	1581028	COVER & SEAL ASSY - COMPRESSOR	1
7	4744042	DOOR - RETAINER	1
8	-	TRAY ASSEMBLIES (FIGURE 50)	3

Snackcombo II Parts Manual

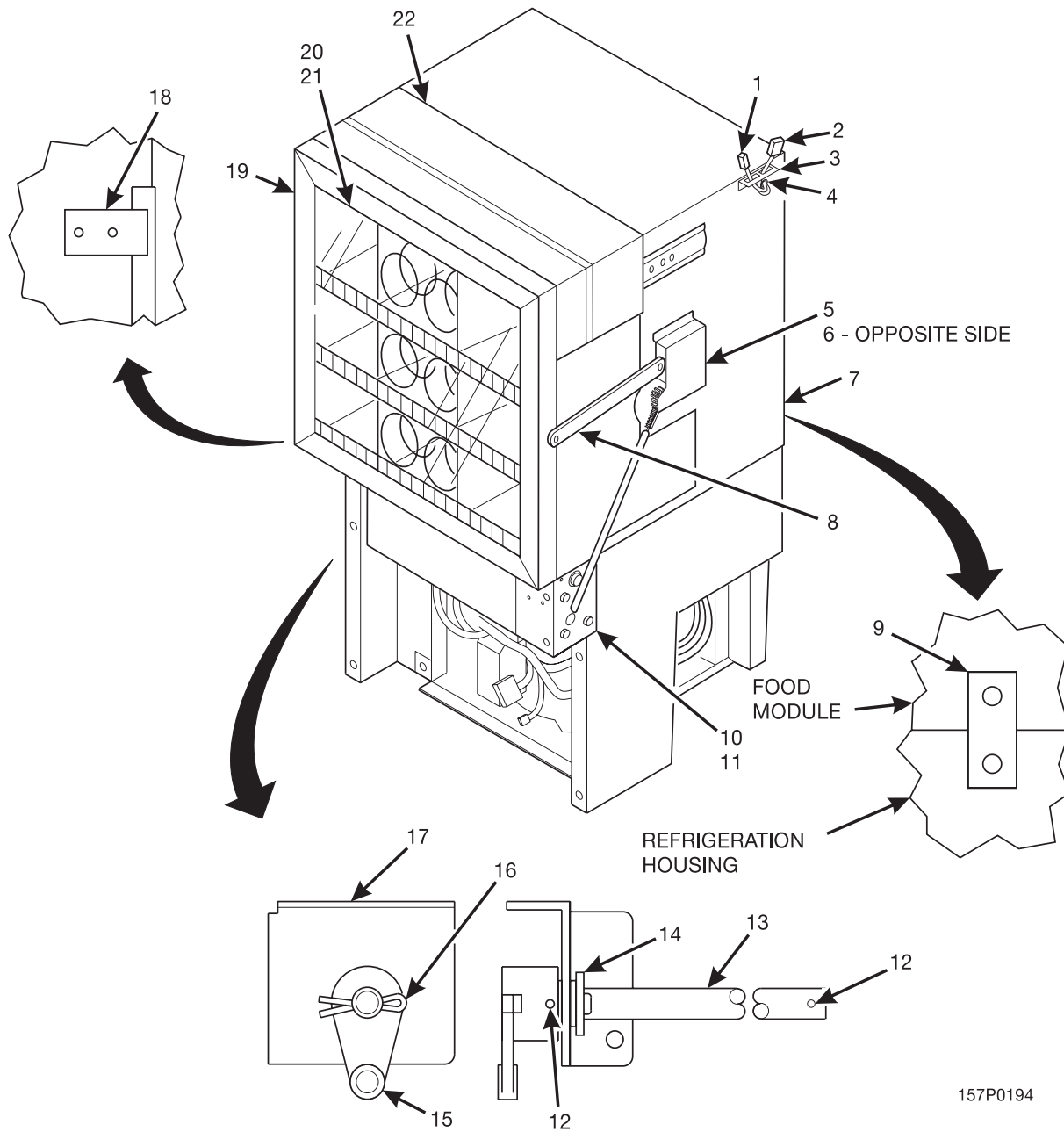


Figure 45. Major Components - Refrigerated Food Module

Snackcombo II Parts Manual

TABLE 45. MAJOR COMPONENTS - REFRIGERATED FOOD MODULE

INDEX	PART NUMBER	DESCRIPTION	QTY.
1	4119013	PROBE - TEMPERATURE SENSOR	1
2	4407009	JUMPER - CHANNEL PCB - FOOD MODULE	1
3	4407002	BRACKET - CABLE PLUG	1
4	3502097	BUSHING #OCB - 500	1
5	4407069	DRIVE ARM ASSEMBLY - R.H. (FIGURE 56)	1
6	4407052	DRIVE ARM ASSEMBLY - L.H. (FIGURE 55)	1
7	4407026	HOUSING & LINER ASSEMBLY - FOOD MODULE	1
8	9900431	RETAINING RING REINF. E TYP. 312	1
9	4747062	MOUNTING STRAP - CAN MODULE	1
10	4407077	MOTOR MOUNTING BRACKET ASSEMBLY (FIGURE 57)	1
11	4747725	COVER - MOTOR ASSEMBLY	1
12	3127034	ROLL PIN 1/8 X 13/16	2
13	4407087	SHAFT - DRIVE	1
14	4047012	SHOULDER BUSHING	1
15	4407079	ARM - DRIVE	1
16	9900098	COTTER PIN 3/32 X 3/4 IN.	2
17	4407088	BRACKT - DRIVE SHAFT	1
18	4844027	GUIDE - DOOR FRAME SUPPORT	1
19	G4747000	DOOR ASSEMBLY - REFRIGERATED FOOD MODULE (FIGURE 54)	1
20	4741223	DECAL - COLD/FROZEN FOOD	1
21	4612001	DECAL - "CHILLED FOR FRESHNESS"	1
22	4747716	DOOR FRAME ASSEMBLY (FIGURE 47)	1

Snackcombo II Parts Manual

TABLE 45. REFRIGERATION MODULE ASSEMBLY - FOOD (110V)

PART NUMBER	DESCRIPTION	QTY.
4844007	REFRIGERATION MODULE ASSEMBLY FINAL - FOOD	1
4404006	PLATE - EVAPORATOR FAN SHROUD	1
4744045	SHROUD - EVAPORATOR FAN	1
4724124	FAN - EVAPORATOR	1
4744020	SHROUD - TOP	1
4744017	GASKET - REFRIGERATION MODULE	1
4844026	EVAPORATOR & TUBE ASSEMBLY - TECUMSEH	1
4404003	BAFFLE - REFRIGERATION	1
4404015	GASKET - BAFFLE - TOP	1
4404016	GASKET - BAFFLE - BOTTOM	1
3128063	DRAIN - WATER BATH	1
4744002	HOUSING - REFRIGERATION MODULE	1
4301152	DRAIN - CONDENSATE	1
4844019	TRIAC & SUPPORT ASSEMBLY - REFRIGERATED	1
3608149	BLADE - CONDENSATE FAN FV-700CW20P	1
4043121	SILENCER - FAN - MORRIL S-5847-1	1
4744112	MOTOR - CONDENSER FAN	1
4744009	BRACKET - CONDENSER MOTOR	1
4724066	GROMMET - 11/16: HIGH	1
4844002	BASE & STUD ASSEMBLY - CONDENSER	1
4304192	LABEL - R134A - SMALL	4
4744022	PAN - CONDENSATE	1
4744106	BAG - COMPRESSOR COMP - 115V	1
-	BALE STRAP	1
-	COVER	1
-	RELAY	1
-	OVERLOAD	1
-	GROMMET	4
-	SLEEVE	4
4744108	COMPRESSOR - AZ0370Y - R134A	1
3608146	SHROUD - CONDENSER FAN	1
4744109	CONDENSER - W/PROCESS TUBE	1
4744564	HARNESS - COMPRESSOR - R134A - CAN (NOT SHOWN)	1

Snackcombo II Parts Manual

TABLE 46. REFRIGERATION MODULE ASSEMBLY - REFRIGERATED FOOD - AMBIENT - 230 V - FINAL

PART NUMBER	DESCRIPTION	QTY.
4644008	TRIAC AND SUPPORT ASSEMBLY - CHILLED/CAN	1
4844001	EVAPORATOR FAN - 230 V	1
4844011	REFRIGERATION MODULE ASSEMBLY - R134A - FOR - FOOD (INCLUDES BUT IS NOT LIMITED TO THE FOLLOWING)	1
3608149	CONDENSER FAN BLADE	1
3618157	CONDENSER FAN MOTOR - 230 V	1
4744022	CONDENSATE PAN	1
4304194	DRIER	1
4744109	CONDENSER - WITH PROCESS TUBE	1
4844014	COMPRESSOR - 220 V	1
4844015	BAG - COMPRESSOR COMPONENTS - 220 V (INCLUDES RELAY, OVER-LOAD, COVER, GROMMETS, AND SLEEVES)	1
4844026	EVAPORATOR AND TUBE ASSEMBLY	1
4849022	FOOD MODULE COMPRESSOR HARNESS	1

Snackcombo II Parts Manual

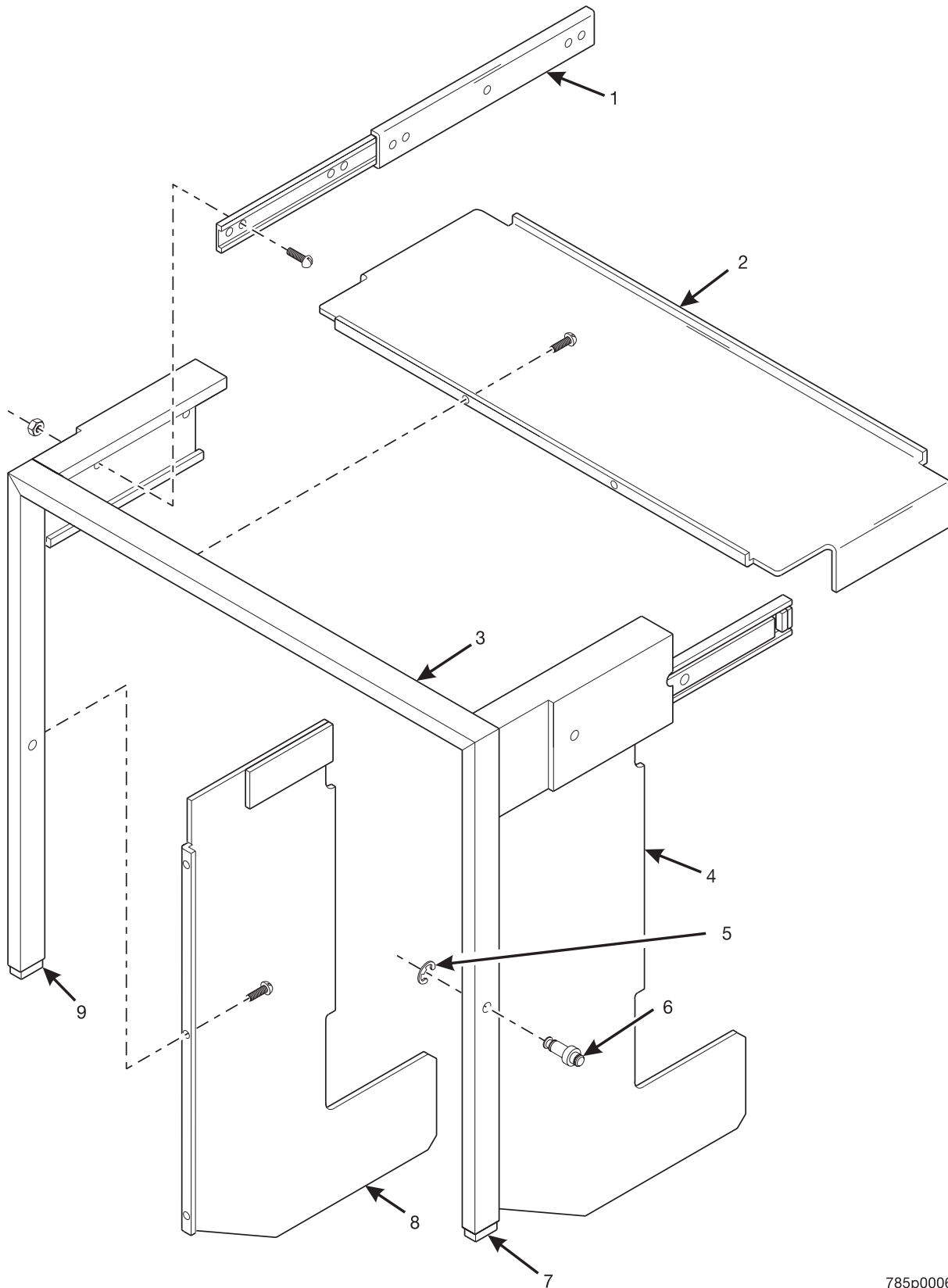


Figure 47. Food Module Door Frame Assembly

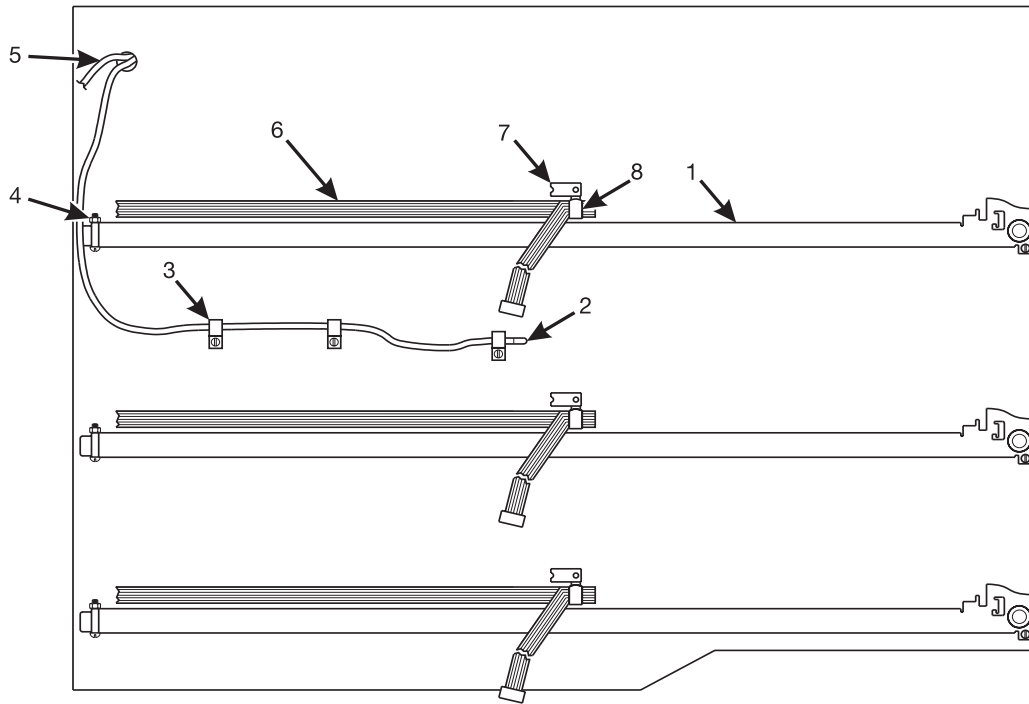
785p0006

Snackcombo II Parts Manual

TABLE 47. FOOD MODULE DOOR FRAME ASSEMBLY

INDEX	PART NUMBER	DESCRIPTION	QTY.
-	4747716	DOOR FRAME ASSEMBLY	1
1	4407103	SLIDE - 10"	2
2	4407106	SHIELD - SIDE - TOP	1
3	4407107	DOOR FRAME WELD ASSEMBLY	1
4	4407159	SHIELD - RIGHT SIDE	1
5	9900431	RETAINING RING REINF E TYP. 3	1
6	4407102	STUD - DOOR LATCH	1
7	1479120	CAPLUG - REC. ½ X 1	1
8	4407158	SHIELD - LEFT SIDE	1
9	4407101	SUPPORT - DOOR FRAME	1

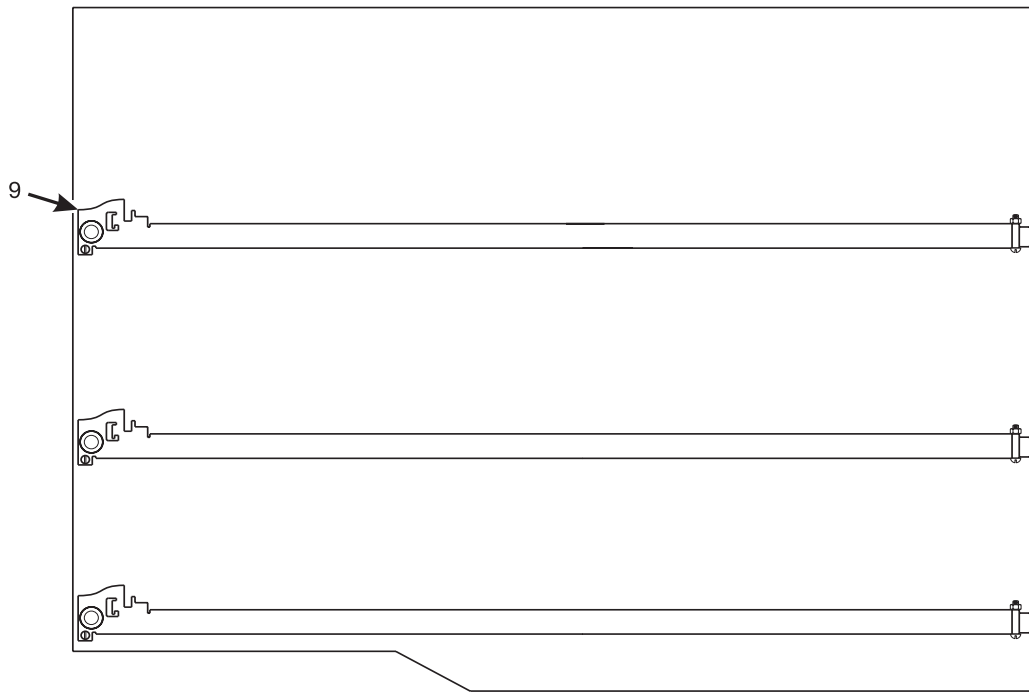
Snackcombo II Parts Manual



BACK

CABINET INTERIOR RIGHT SIDE VIEW

FRONT



FRONT

CABINET INTERIOR LEFT SIDE VIEW

BACK

157P0195

Figure 48. Refrigerated and Frozen Food Module - Interior View (Part 1 of 2)

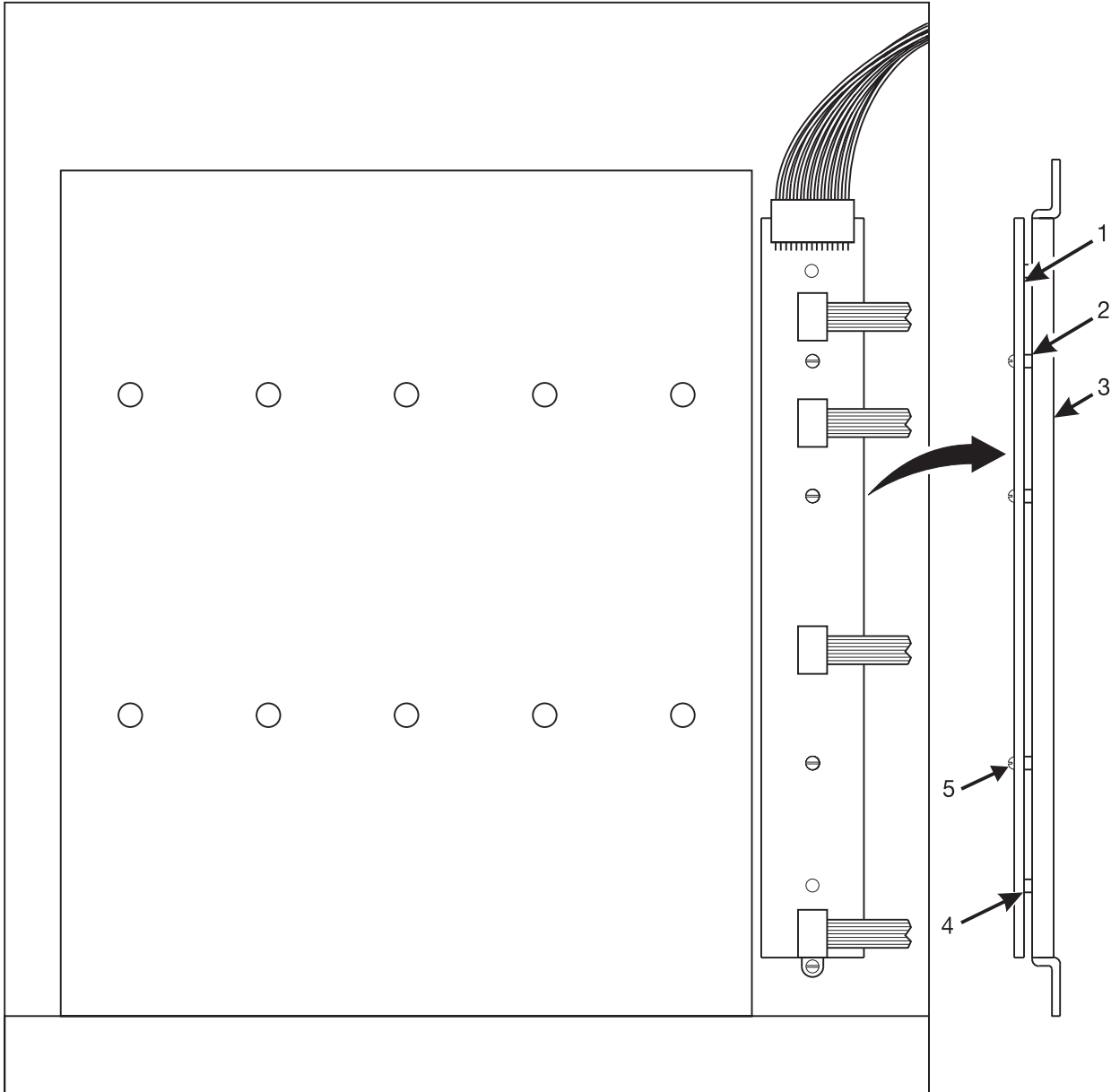
Snackcombo II Parts Manual

TABLE 48. REFRIGERATED AND FROZEN FOOD MODULE - INTERIOR VIEW (PART 1 OF 2)

INDEX	PART NUMBER	DESCRIPTION	QTY.
1	4407021	RAIL & ROLLER ASSEMBLY - R.H.	3
-	4402038	SCREW	3
2	4119013	PROBE - TEMPERATURE SENSOR	1
3	2342315	CLIP - WIRE HARNESS	3
-	4402038	SCREW	3
4	4407016	WIRE COVER - 6138236 - .208 ID X .88	6
-	4402037	SCREW	6
-	6104424	NUT	6
5	4407009	JUMPER - CHANNEL PCB - FOOD MODULE	1
6	4402010	FLAT CABLE ASSEMBLY	3
7	4407156	KEEPER - HARNESS	3
-	4402038	SCREW	3
8	4407014	RETANGULAR CLOSURE	3
9	4407017	RAIL & ROLLER ASSEMBLY - L.H.	3
-	4402038	SCREW	3

Snackcombo II Parts Manual

TOP



CABINET INTERIOR BACK VIEW

157P0197

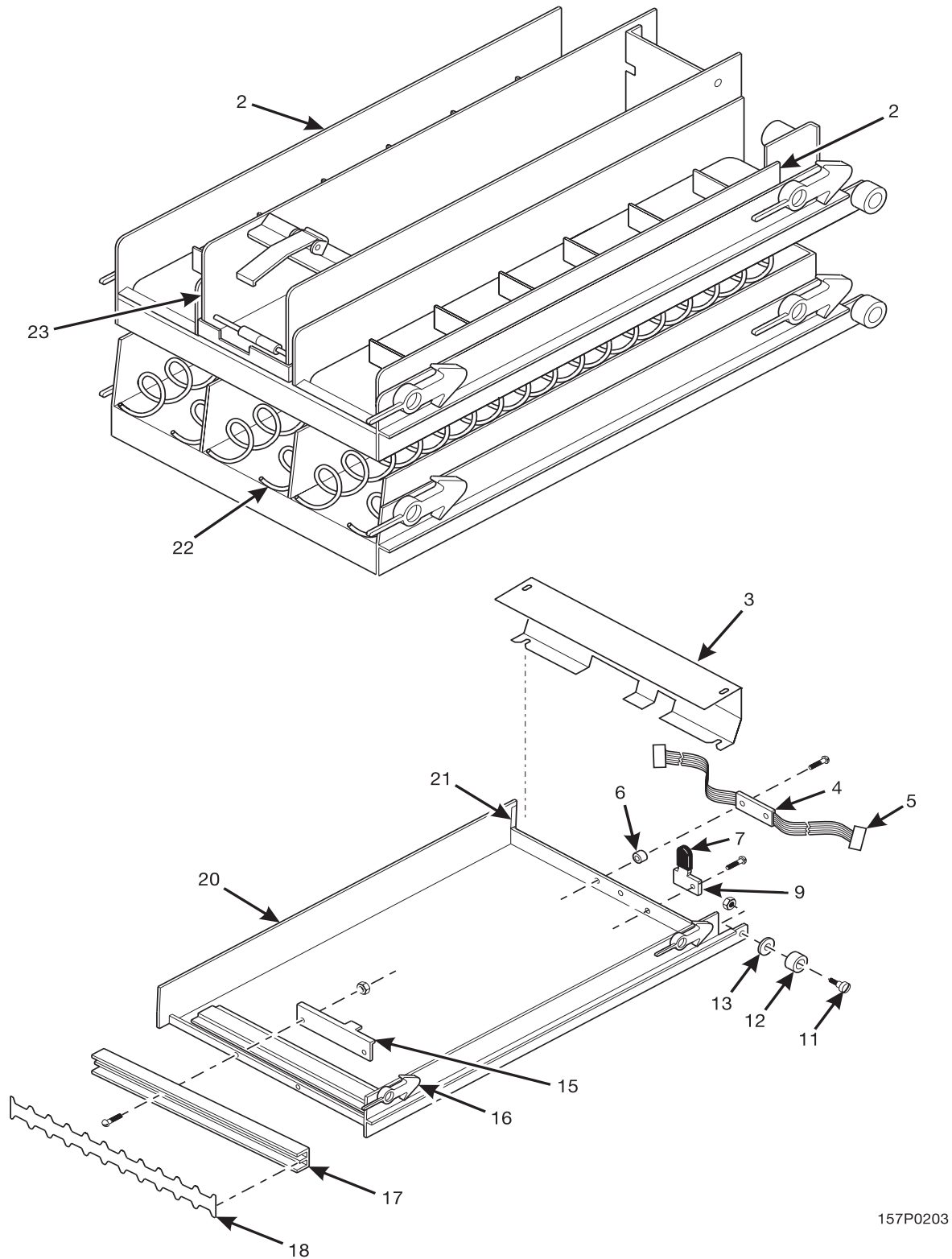
Figure 49. Refrigerated and Frozen Food Module - Interior View (Part 2 of 2)

Snackcombo II Parts Manual

TABLE 49. REFRIGERATED AND FROZEN FOOD MODULE - INTERIOR VIEW (PART 2 OF 2)

INDEX	PART NUMBER	DESCRIPTION	QTY.
1	4401000	PCB ASSY - CHANNEL - FOOD MOD	1
2	4407025	SPACER	3
3	4407146	BRACKET - P.C. BOARD (PAINTED)	1
4	4407024	SUPPORT - CIR. BD. MINIATURE	2
5	6107240	SPACER	3

Snackcombo II Parts Manual



157P0203

Figure 50. General Tray Assemblies - Refrigerated Food Module

Snackcombo II Parts Manual

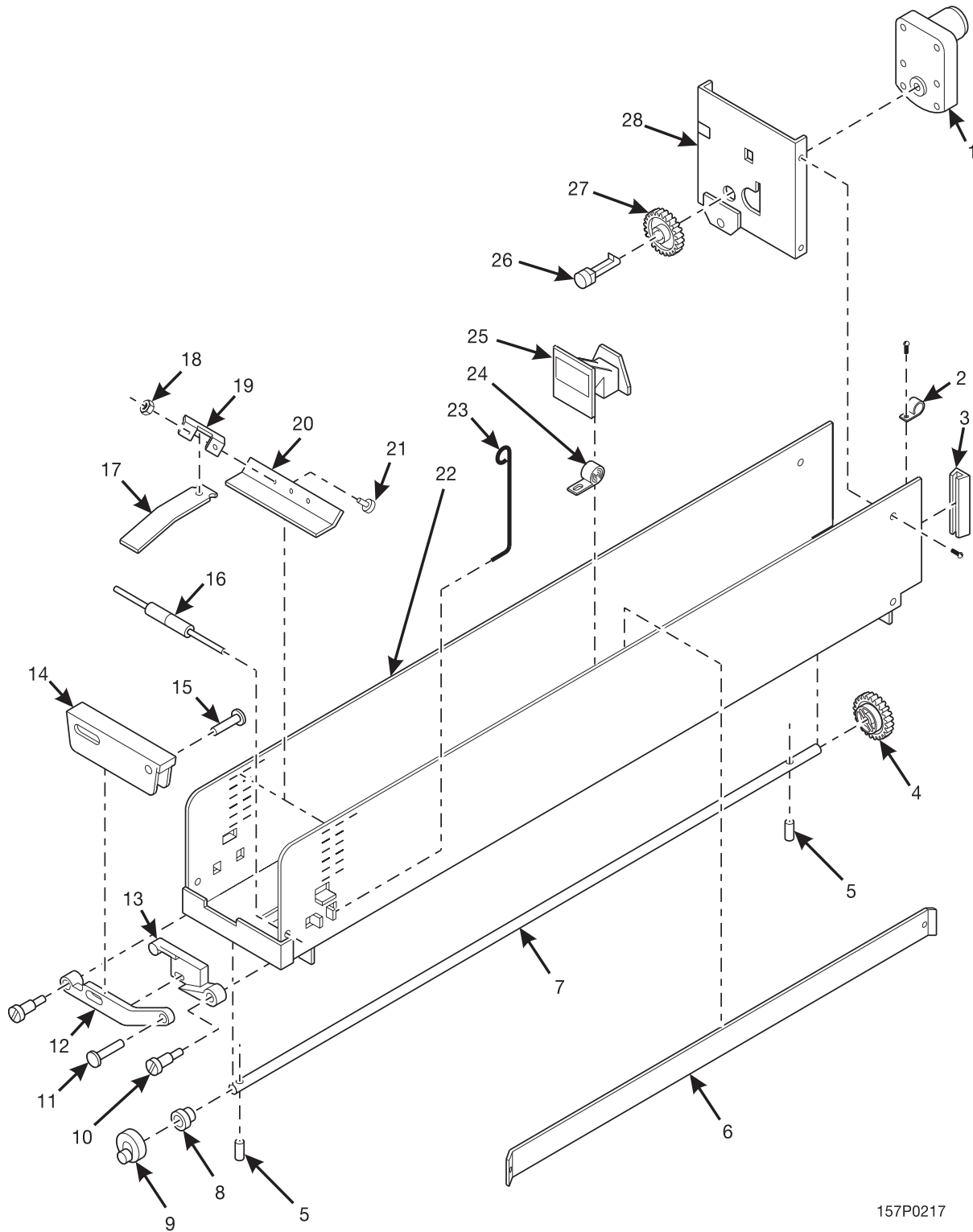
NOTE

*Tray assemblies can be configured several different ways:
All spirals, all belts, or 2 belts and 1 pusher. This table represents parts common to all trays including the modules needed to configure trays for spirals, belts or pushers*

TABLE 50. GENERAL TRAY ASSEMBLIES - REFRIGERATED FOOD MODULE

INDEX	PART NUMBER	DESCRIPTION	QTY.
1	4757500	LABEL - TRAY REMOVAL	1
2	4407600	BELT MODULE ASSEMBLY (FIGURE 52)	OPT
-	3104138	SCREW #8-32 X 3/8 PHS T/C SS	-
3	6107240	SCREW - #6-32 X 1/2 PHS - TCS.S.	2
4	4402008	PCB ASSEMBLY - TRAY - FOOD MODULE	1
5	4407501	HARNESS - 6 MOTOR - FOOD MODULE	1
6	4407025	SPACER - .38 OCX .14IDX .187L	2
7	4407114	RETANGULAR CLOSURE	1
8	4402038	SCREW #8 - 15 X .38 STAINLESS	1
9	4407516	RETAINER - HARNESS	1
10	4402046	NUT #1/4 - 20 SELF LOCKING - SS	2
11	4407514	STUD - TRAY ROLLER	2
12	4407019	ROLLER - TRAY	2
13	4402041	WASHER - 5/8 X 9/32 X 1/16 - SS	2
14	4402043	NUT #8-32 W/L.W. - S.S.	2
15	4407845	RETAINER - SPIRAL MODULE (USED WITH INDEX #22 ONLY)	1
16	1477017	LATCH	4
-	5201267	PUSH ON RETAINER .312	4
17	4407503	RAIL - PRICE & SELECTION	1
18	4407504	HOLDER - PRICE & SELECTION	1
19	3108221	SCREW #8-32 X 3/8 PHS ST. STL.	2
20	4402034	TRAY WELD ASSEMBLY (PAINTED)	1
21	4407502	GROMMET - 3156015 - 2.0 LG.	1
22	4407800	SPIRAL MODULE ASSEMBLY - 3 SELECT (FIGURE 53)	OPT
-	3104138	SCREW #8-32 X 3/8 PHS T/C SS	-
23	4407700	PUSHER MODULE ASSEMBLY (FIGURE 51)	OPT
-	3104138	SCREW #8-32 X 3/8 PHS T/C SS	-

Snackcombo II Parts Manual



157P0217

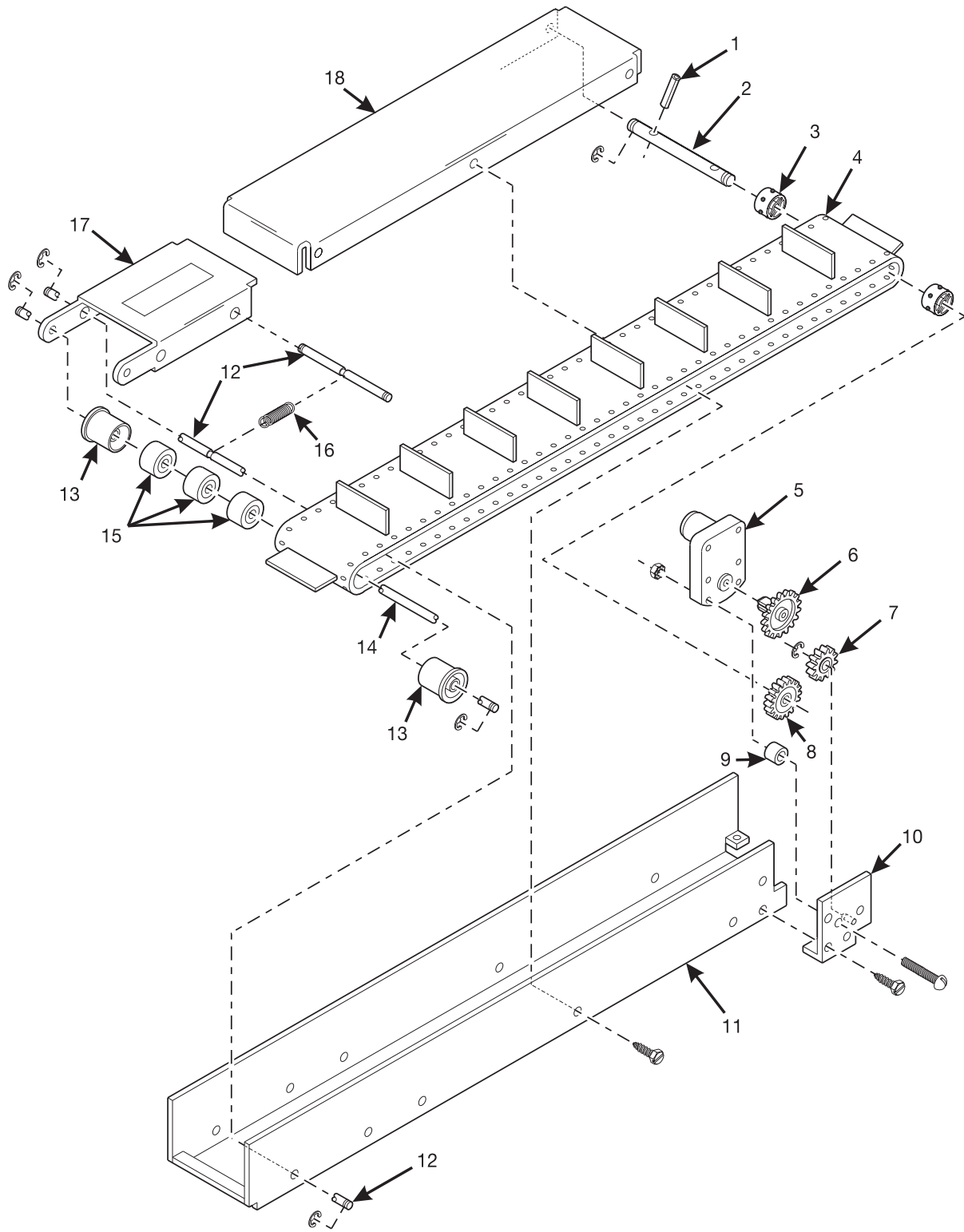
Figure 51. Pusher Module Assembly

Snackcombo II Parts Manual

TABLE 51. PUSHER MODULE ASSEMBLY

INDEX	PART NUMBER	DESCRIPTION	QTY.
-	4407700	PUSHER MODULE ASSEMBLY	-
1	4744555	MOTOR & PCB ASSEMBLY	1
2	2342315	CLIP - WIRE HARNESS	1
3	4407502	GROMMET - 3156015 - 2.0 LONG	2
4	4407710	GEAR - EJECTOR SHAFT	1
5	5220463	ROLL PIN .093 X 7/16	2
6	4402213	SPACER - PRODUCT	1
7	4407742	SHAFT - EJECTOR	1
8	4407722	BUSHING - EJECTOR SHAFT	1
9	4407708	CAM - EJECTOR	1
10	4407739	STUD - EJECTOR - PUSHER	2
11	4407740	STUD - EJECTOR - BRACKET - LEFT	1
12	4407716	ARM - EJECTOR - LEFT	1
13	4407717	ARM - EJECTOR - RIGHT	1
14	4407735	BRACKET - EJECTOR	1
15	4407741	STUD - EJECTOR BRACKET - RIGHT	1
16	4407729	ROLLER & SHAFT ASSEMBLY - PUSHER (CONTAINS THE NEXT 3 ITEMS)	1
	4407731	SHAFT - PUSHER MODULE	1
	4407730	ROLLER - PUSHER MODULE	2
	2366055	SPEED CLIP COMPRESSION RING	2
17	4407736	STOP - PACKAGE	1
18	6104429	KEPS NUT #6-32 S.S. EXT LW	2
19	4407737	KEEPER - STOP	1
20	4407738	GUIDE - PACKAGE	1
21	4402039	SCREW #6-32 X 1/4 RHS - S.S.	2
22	4402212	FRAME ASSEMBLY - PUSHER	1
23	4407707	RETAINER - GUIDE	2
24	4407713	SPRING - PUSHER	1
25	4407714	PUSHER - PRODUCT	1
26	4407712	COUPLING - MOTOR	1
27	4407711	GEAR - DRIVE - PUSHER	1
28	4407734	BRACKET & MOTOR PANEL ASSEMBLY	1

Snackcombo II Parts Manual



157P0219

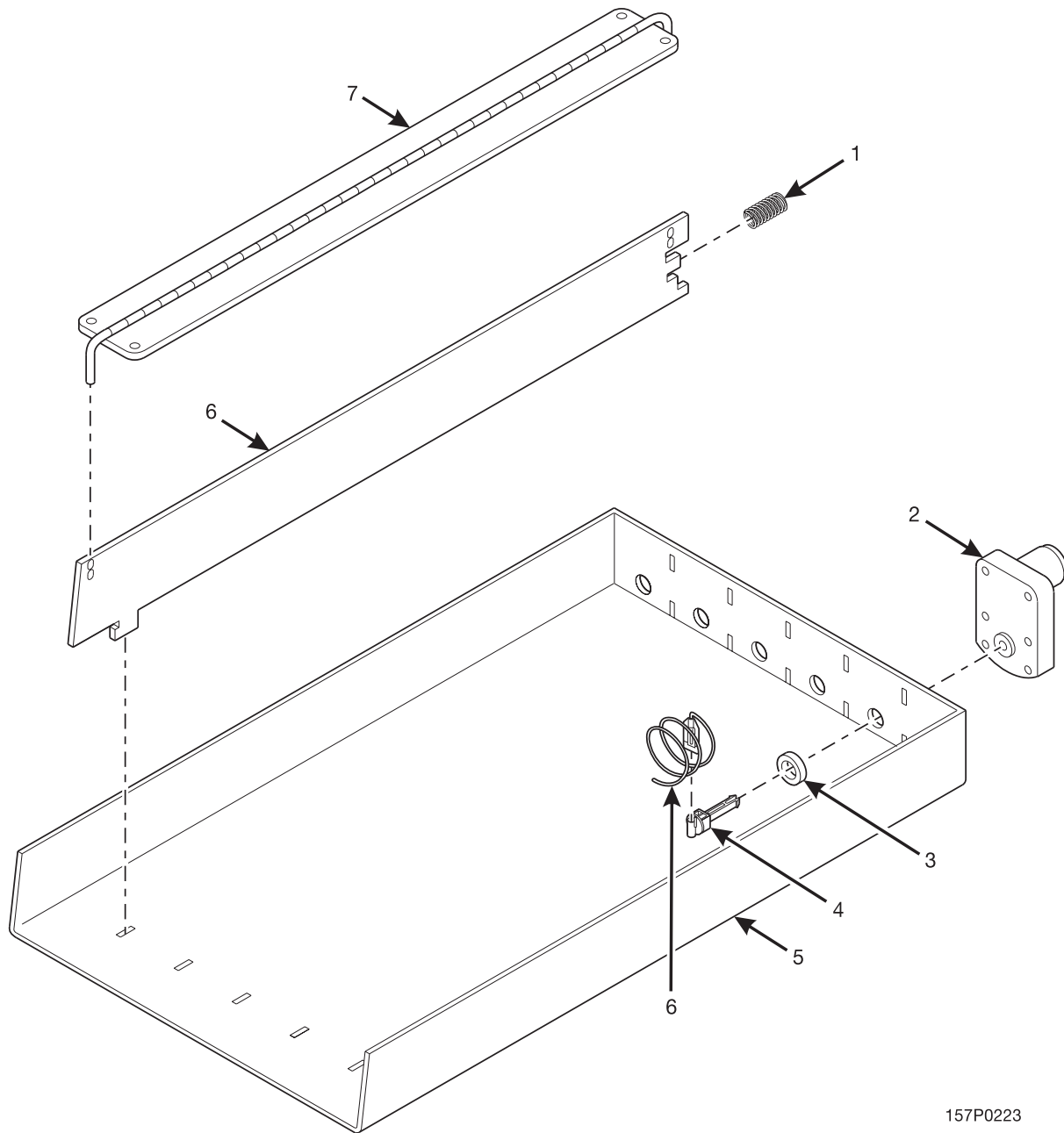
Figure 52. Belt Module Assembly

Snackcombo II Parts Manual

TABLE 52. BELT MODULE ASSEMBLY

INDEX	PART NUMBER	DESCRIPTION	QTY.
-	4407600	BELT MODULE ASSEMBLY	-
1	6104219	ROLL PIN	2
2	4407634	SHAFT - DRIVE SPROCKET	1
3	4407619	SPROCKET - DRIVE	2
4	4407604	BELT - CONVEYOR	1
5	4744555	MOTOR & PCB ASSEMBLY	1
6	4407615	GEAR - DRIVE MOTOR	1
7	4407616	GEAR - IDLER - BELT MODULE	1
8	4407618	GEAR - BELT DRIVE	1
9	4407617	SPACER - MOTOR	2
10	4407622	BRACKET & STUD ASSEMBLY	1
11	4407628	FRAME ASSEMBLY - BELT MODULE	1
12	4407632	SHAFT - BELT ADJUSTOR	2
13	4407611	ROLLER - BELT - OUTSIDE	2
14	4407633	SHAFT - BELT - FRONT	1
15	4407612	ROLLER - BELT - INSIDE	3
16	4407607	SPRING - BELT TENSION	1
17	4407630	SUPPORT - BELT - FRONT	1
18	4407629	SUPPORT - BELT - REAR	1

Snackcombo II Parts Manual



157P0223

Figure 53. Spiral Module Assembly

Snackcombo II Parts Manual

TABLE 53. SPIRAL MODULE ASSEMBLY

INDEX	PART NUMBER	DESCRIPTION	QTY.
1	4407808	SPRING - DIVIDER	2
2	4744555	MOTOR & PCB ASSEMBLY	6
3	4407803	SPACER - MOTOR	6
4	1477113	COUPLING - SPIRAL	6
5	4407842	FRAME ASSY - SPRIAL MODULE	1
6	4407844	DIVIDER - SPIRAL MODULE	2
7	4407843	SPACER - ADJUSTABLE	1

TABLE 53A. SPIRAL OPTIONS (FOR REFRIG. / FROZEN FOOD TRAYS)

SPIRAL COUNT	RETAINER COLOR	LEFT HAND		RIGHT HAND		RETAINER
		ASSEMBLY	SPIRAL	ASSEMBLY	SPIRAL	
5	TAN	4407815	4407816	4407818	4407819	4407817
6	DK. GREEN	4407820	4407821	4407823	4407824	4407822
7	MAUVE	4407825	4407826	4407828	4407829	4407827
9	AQUA	4407830	4407832	4407834	4407835	4407833
12	BLACK	4407837	4407838	4407839	4407840	1477073

Snackcombo II Parts Manual

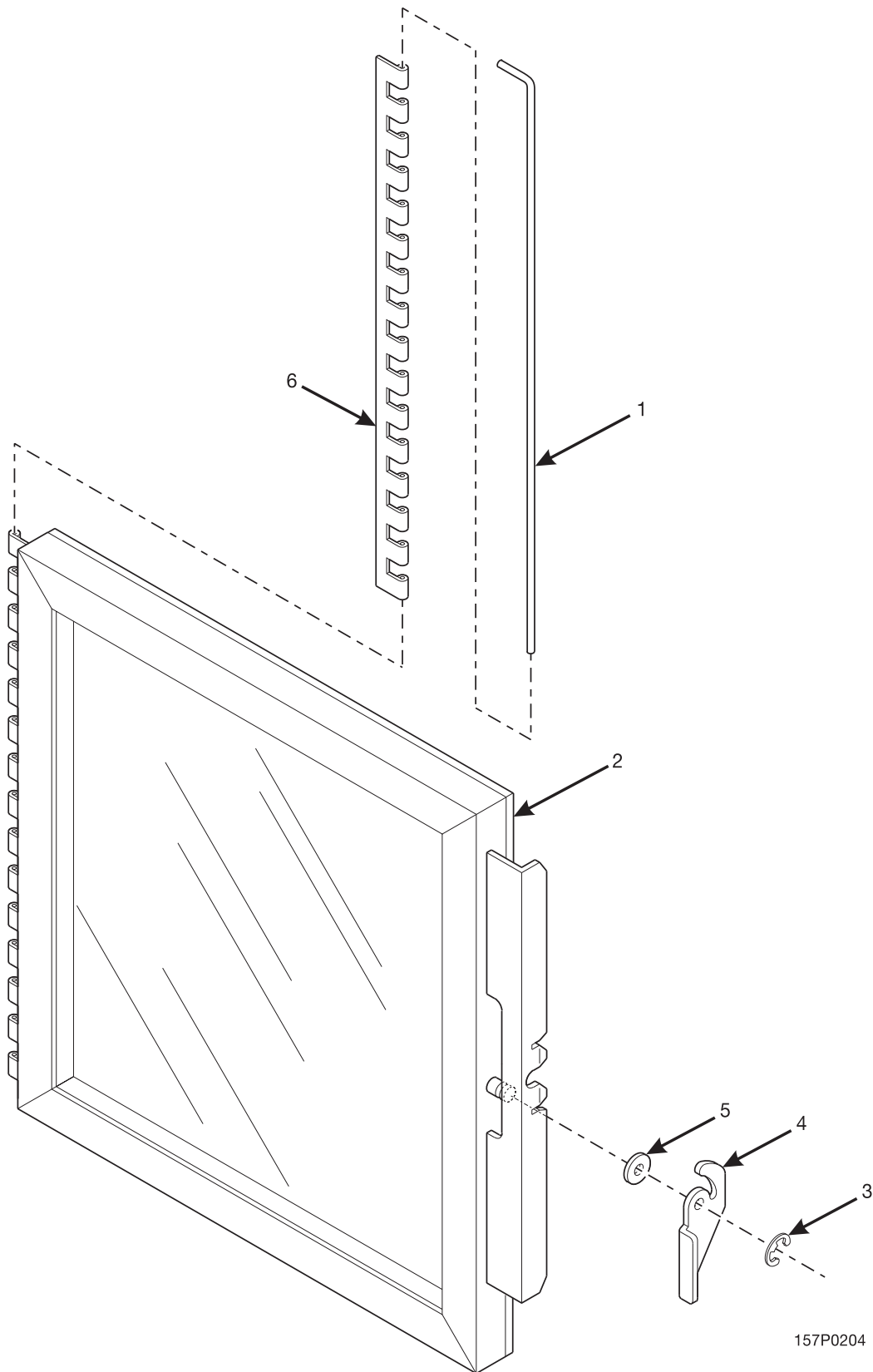


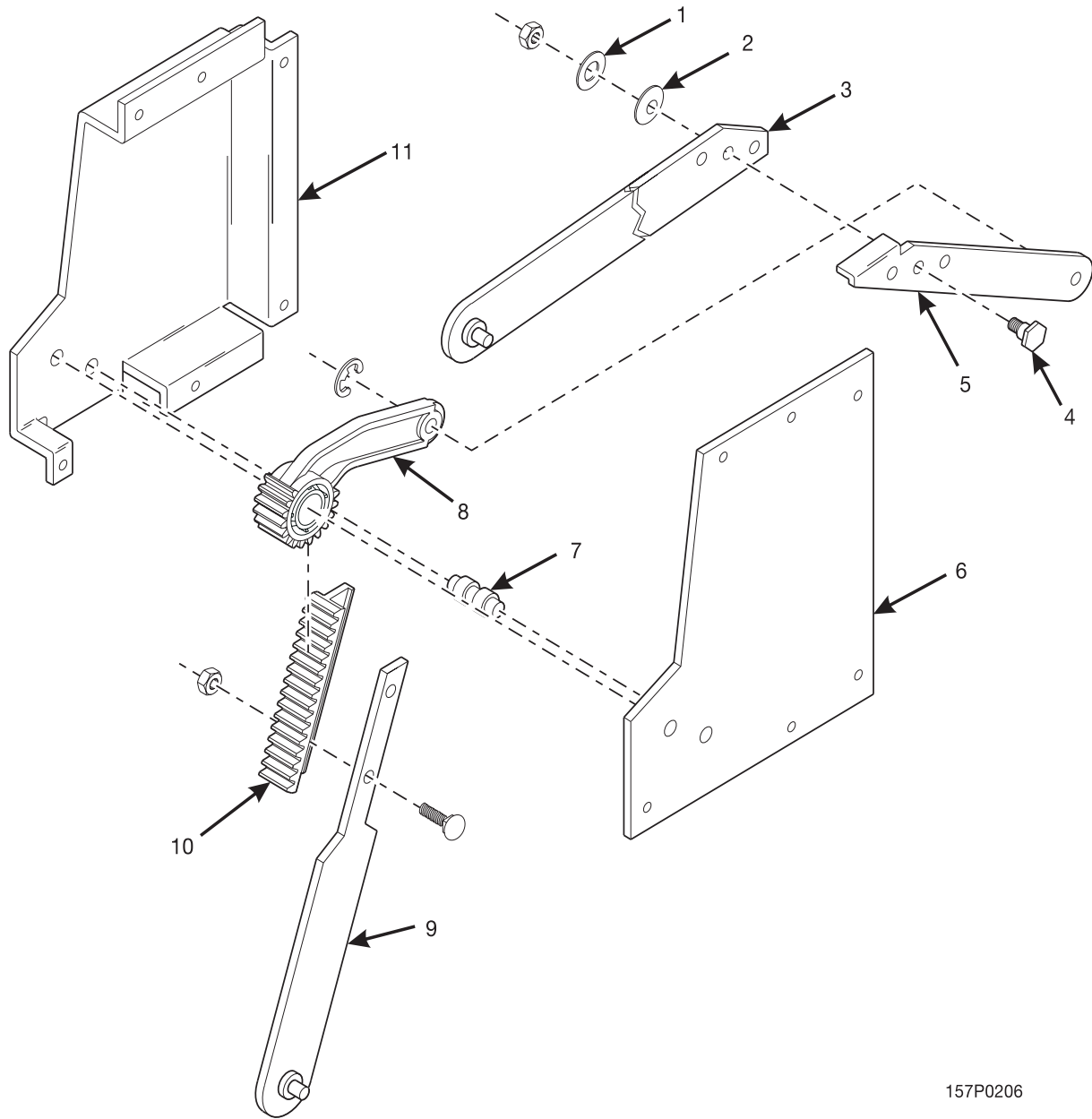
Figure 54. Door Assembly - Refrigerated Food Module

Snackcombo II Parts Manual

TABLE 54. DOOR ASSEMBLY - REFRIGERATED FOOD MODULE

INDEX	PART NUMBER	DESCRIPTION	QTY.
-	G4747000	DOOR ASSEMBLY REFRIGERATED FOOD MODULE	-
1	4407120	PIN - HINGE	1
2	-	DOOR (NOT AVAILABLE SEPARATELY)	1
3	9900425	RETAINING RING REINF. E TYP. 250	1
4	4407160	LEVER - LATCH	1
5	5220113	SPRING WASHER .500 X .254 X .006	1
6	4407132	HINGE - FOOD MODULE DOOR	1

Snackcombo II Parts Manual



157P0206

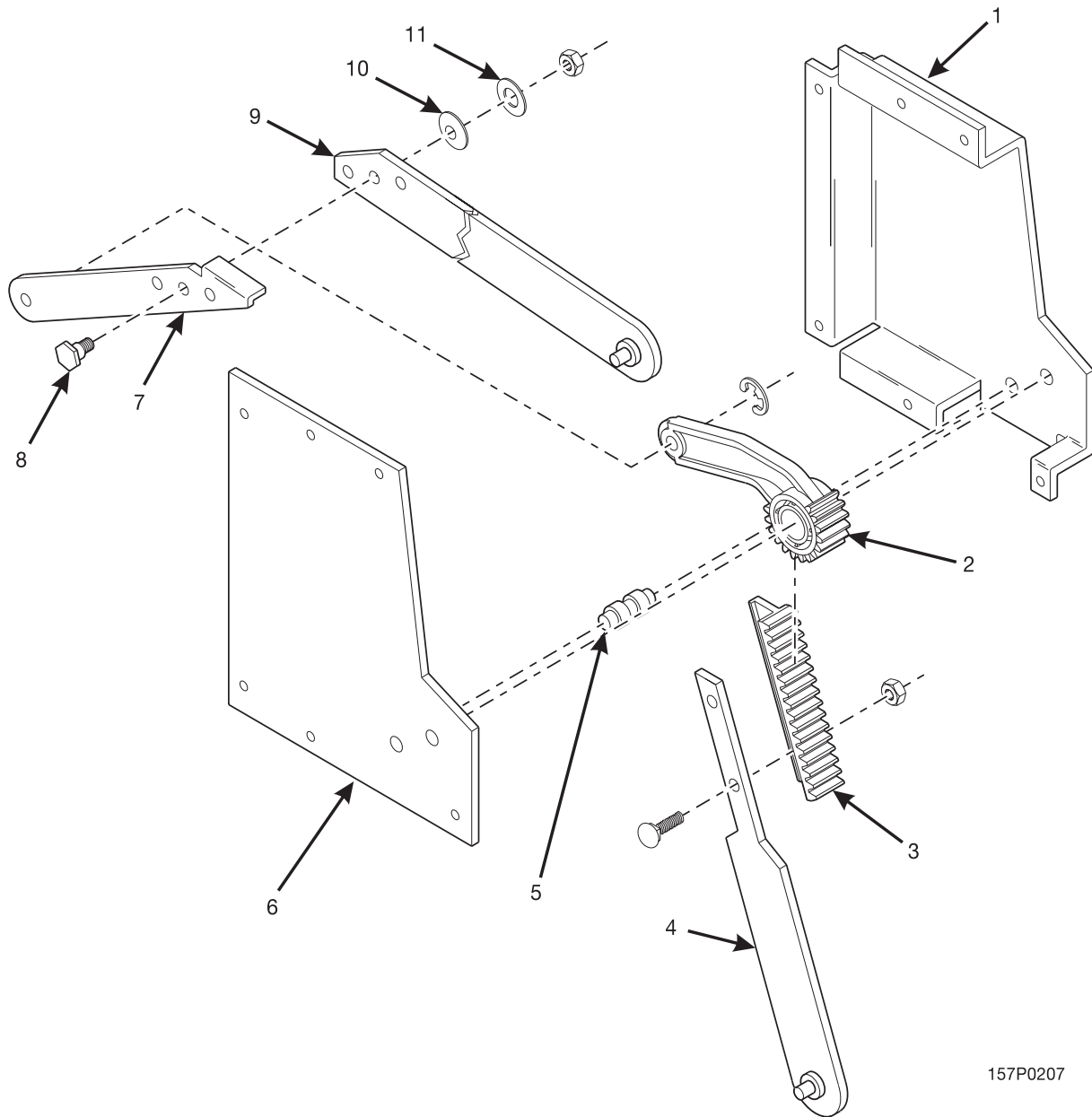
Figure 55. Left Hand Drive Arm Assembly

Snackcombo II Parts Manual

TABLE 55. LEFT HAND DRIVE ARM ASSEMBLY

INDEX	PART NUMBER	DESCRIPTION	QTY.
-	4407052	DRIVE ARM ASSEMBLY - L.H.	1
1	5202012	SPACER EXTENSION BAR	1
2	2202109	SPRING WASHER	1
3	4407059	FRAME DRIVE ARM ASSEMBLY - LONG - L.H.	1
4	4407058	PIVOT - FRAME DRIVE ARM	1
5	4407062	FRAME DRIVE ARM ASSEMBLY - SHORT - L.H.	1
6	4407053	PLATE - TOGGLE - L.H.	1
7	4407055	ROLLER - DRIVE RACK	1
8	4975011	ARM - TOGGLE	1
9	4407067	DRIVE RACK ARM ASSEMBLY	1
10	4407066	RACK DRIVE	1
11	4407133	COVER - TOGGLE - L.H.	1

Snackcombo II Parts Manual



157P0207

Figure 56. Right Hand Drive Arm Assembly

Snackcombo II Parts Manual

TABLE 56. RIGHT HAND DRIVE ARM ASSEMBLY

INDEX	PART NUMBER	DESCRIPTION	QTY.
-	4407069	DRIVE ARM ASSEMBLY - R.H.	1
1	4407134	COVER - TOGGLE - R.H.	1
2	4975011	ARM - TOGGLE	1
3	4407066	RACK - DRIVE	1
4	4407067	DRIVE RACK ARM ASSEMBLY	1
5	4407055	ROLLER - DRIVE RACK	1
6	4407070	PLATE - TOGGLE - R.H.	1
7	4407074	FRAME DRIVE ARM ASSEMBLY	1
8	4407058	PIVOT - FRAME DRIVE ARM	1
9	4407139	ARM - LONG - DOOR FRAME - R.H. - PAINTED	1
10	2202109	SPRING WASHER	1
11	5202012	SPACER EXTENSION BAR	1

Snackcombo II Parts Manual

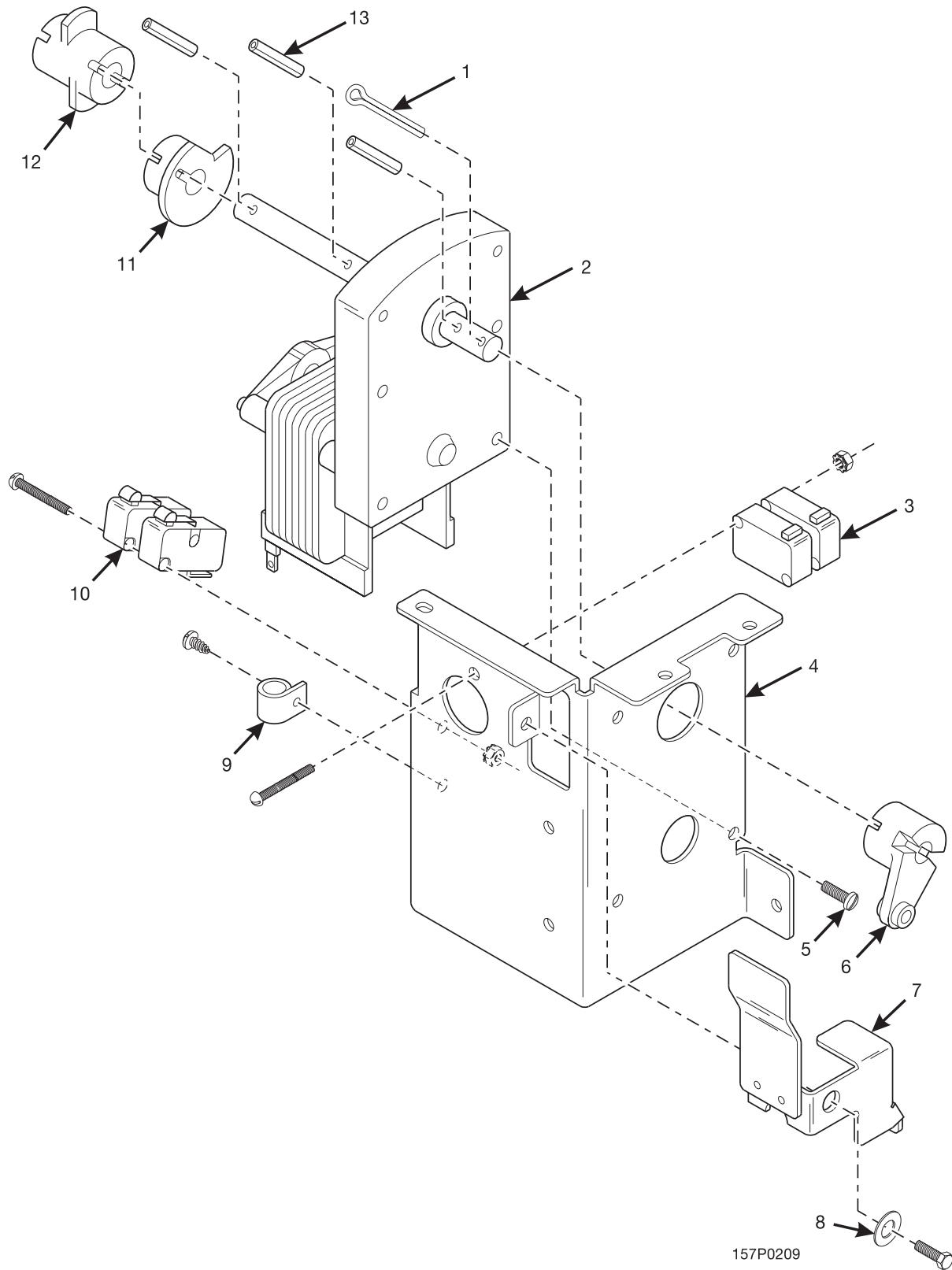


Figure 57. Motor Mounting Bracket Assembly

Snackcombo II Parts Manual

TABLE 57. MOTOR MOUNTING BRACKET ASSEMBLY

INDEX	PART NUMBER	DESCRIPTION	QTY.
-	4407077	MOTOR MOUNTING BRACKET ASSEMBLY - 110V	1
-	4847017	MOTOR MOUNTING BRACKET ASSEMBLY - 230V	1
1	9900098	COTTER PIN - 3/32 X 3/4 IN.	1
2	4407157	MOTOR - FOOD MODULE (110V)	1
	4847003	MOTOR - FOOD MODULE (230V)	
3	2306488	SWITCH V3 - 1101 - D8	2
4	4407131	MOUNTING BRACKET - MOTOR	1
5	9900023	SCREW - #8-32 X .37 PHS W/LW	4
6	4407079	ARM - DRIVE	1
7	4407084	ACTUATOR ASSEMBLY - H.C. SWITCH	1
8	2228011	SPACER RELEASE ARM	1
9	1452139	RETAINER - HARNESS	1
10	2304109	SWITCH ROLLER LEVER V3L - 139 - D8	2
11	4407093	CAM - H.C. SWITCH OVERRIDE	1
12	4407080	COUPLING - MOTOR & DRIVE SHAFT	1
13	3127034	ROLL PIN 1/8 X 13/16	3

TABLE 58. MONEY BOX LOCK ASSEMBLY

PART NUMBER	DESCRIPTION	QTY.
1101906	MONEY BOX LOCK # 1801, KA NV 407	1
2221920	KEY - CHICAGO LOCK #1801, NV 407	1
2222603	NUT - LOCK RETAINING	1
2222604	WASHER - LOCK BARREL - #2693	1

Snackcombo II Parts Manual

TABLE 59. ACCESSORIES (DOOR LOCK GUARD)

INDEX	PART NUMBER	DESCRIPTION	QTY.
1	1572186	DOOR LOCK GUARD	1
2	2222031	TEE BOLT - TRIM	4

Note: Holes must be drilled to install this accessory. Instructions include drilling template.

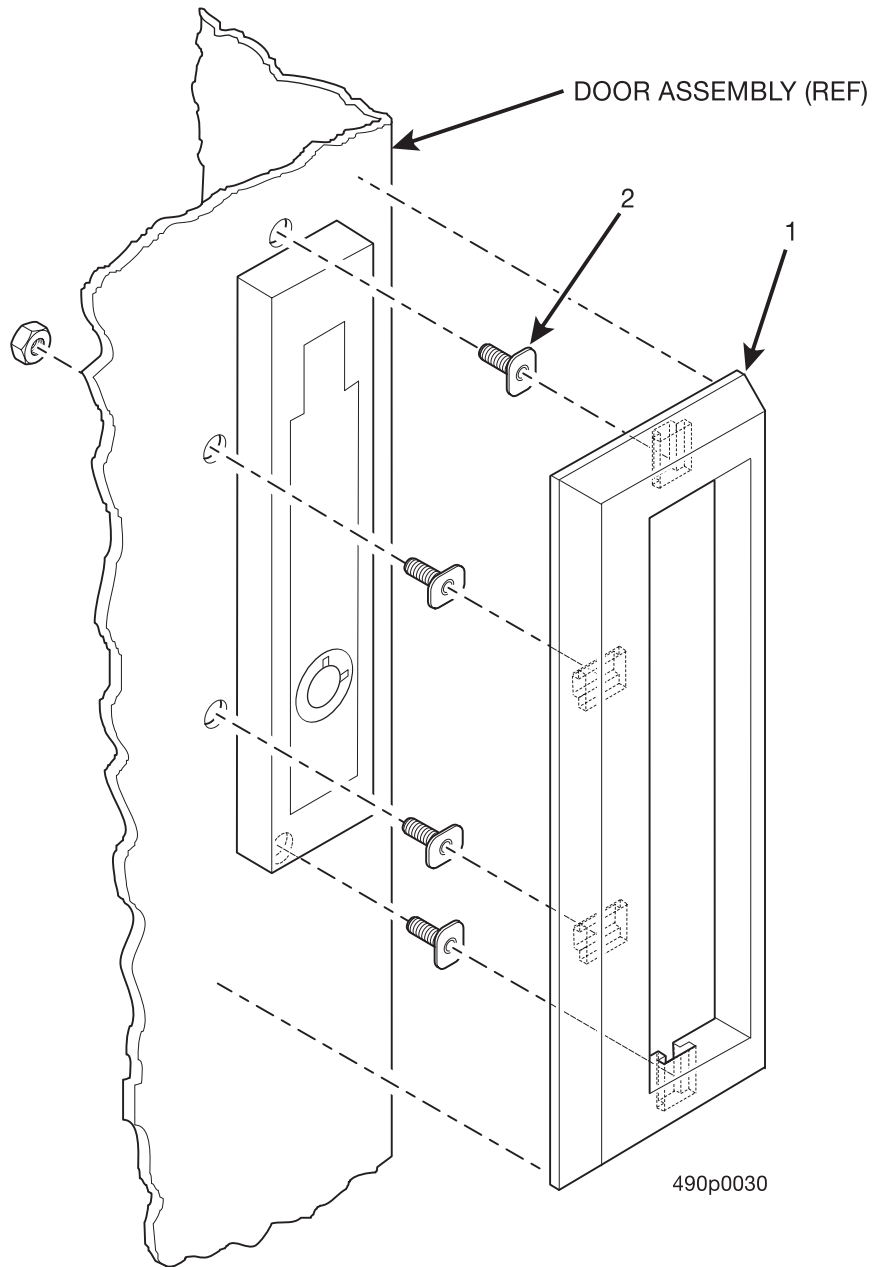


Figure 59. Accessories (Door Lock Guard)

Snackcombo II Parts Manual

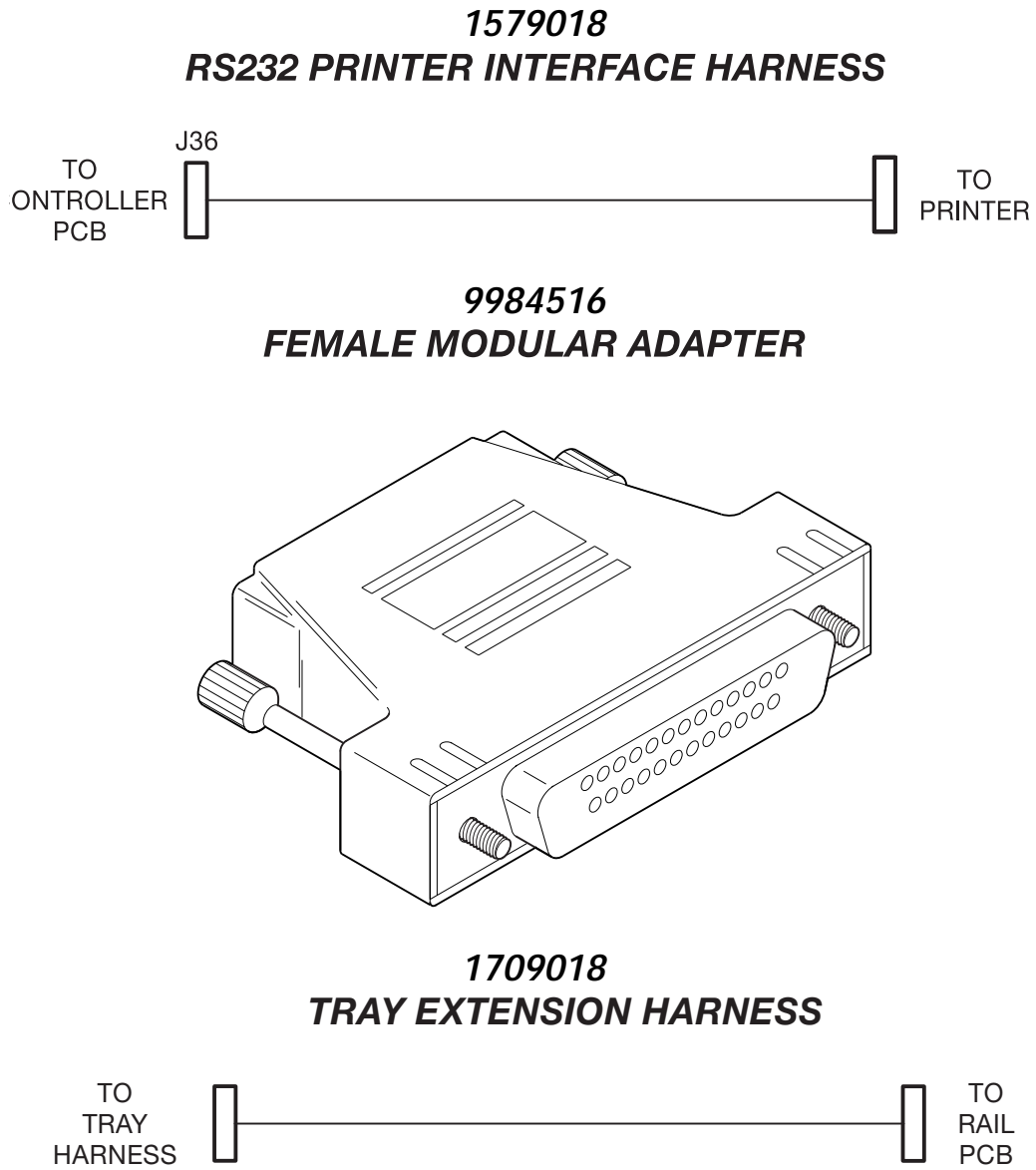


Figure 60. Accessories (Harnesses)

Snackcombo II Parts Manual

TABLE 61. POWER CORDS

PART NUMBER	DESCRIPTION
9989780	POWER CORD - 18 AWG - DOMESTIC (115 V USA/CANADA)
9989560	POWER CORD - AUST/NZ (230 V SOUTH AMERICA/CHINA)

Snackcombo II Parts Manual

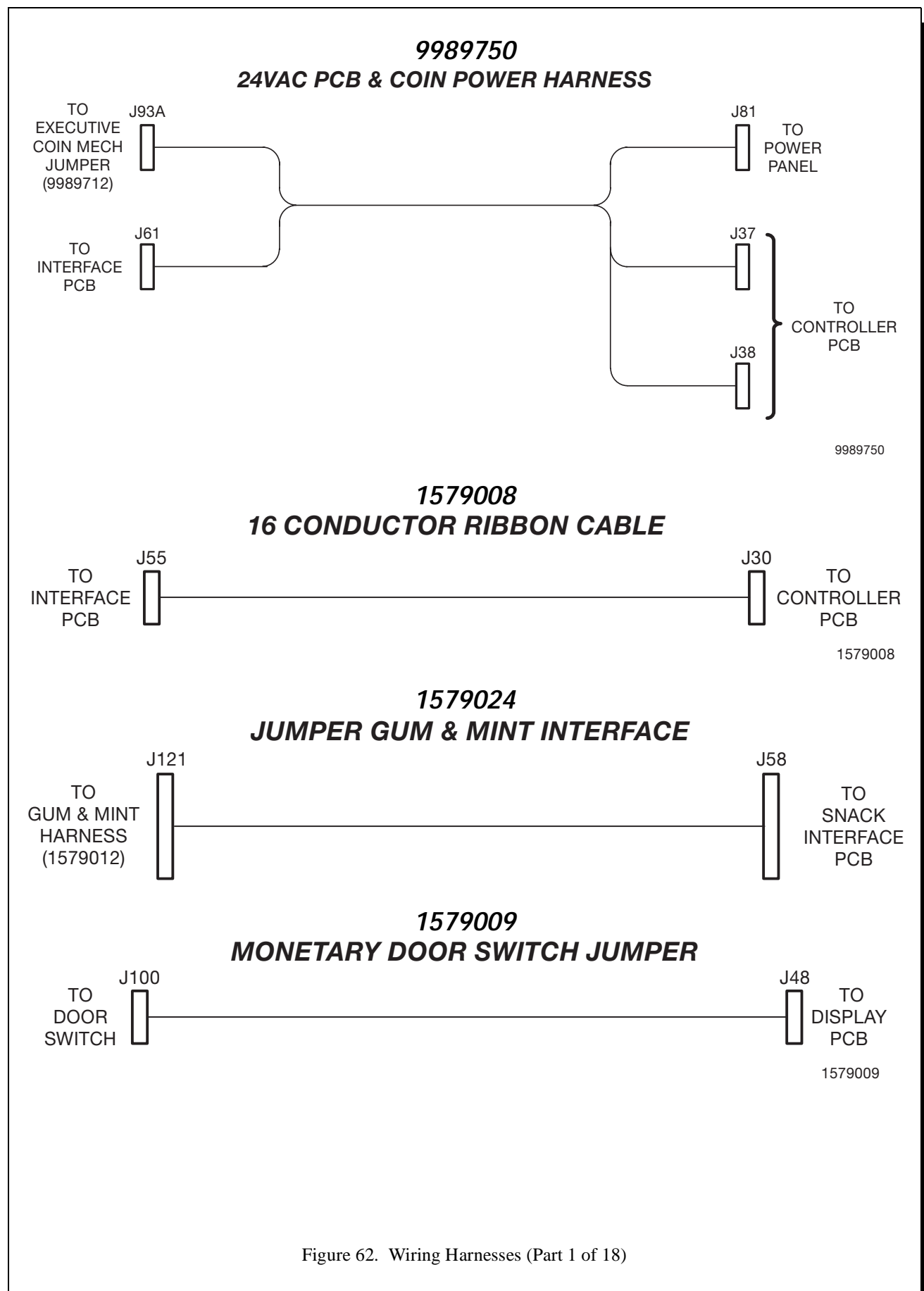
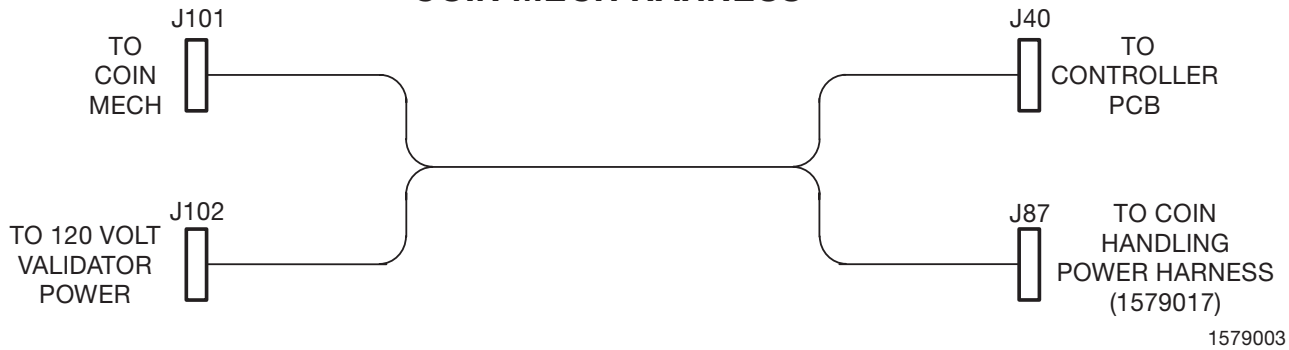


Figure 62. Wiring Harnesses (Part 1 of 18)

Snackcombo II Parts Manual

1579003 COIN MECH HARNESS



1579010 3 TRAY CHANNEL HARNESS



Figure 62. Wiring Harnesses (Part 2 of 18)

Snackcombo II Parts Manual

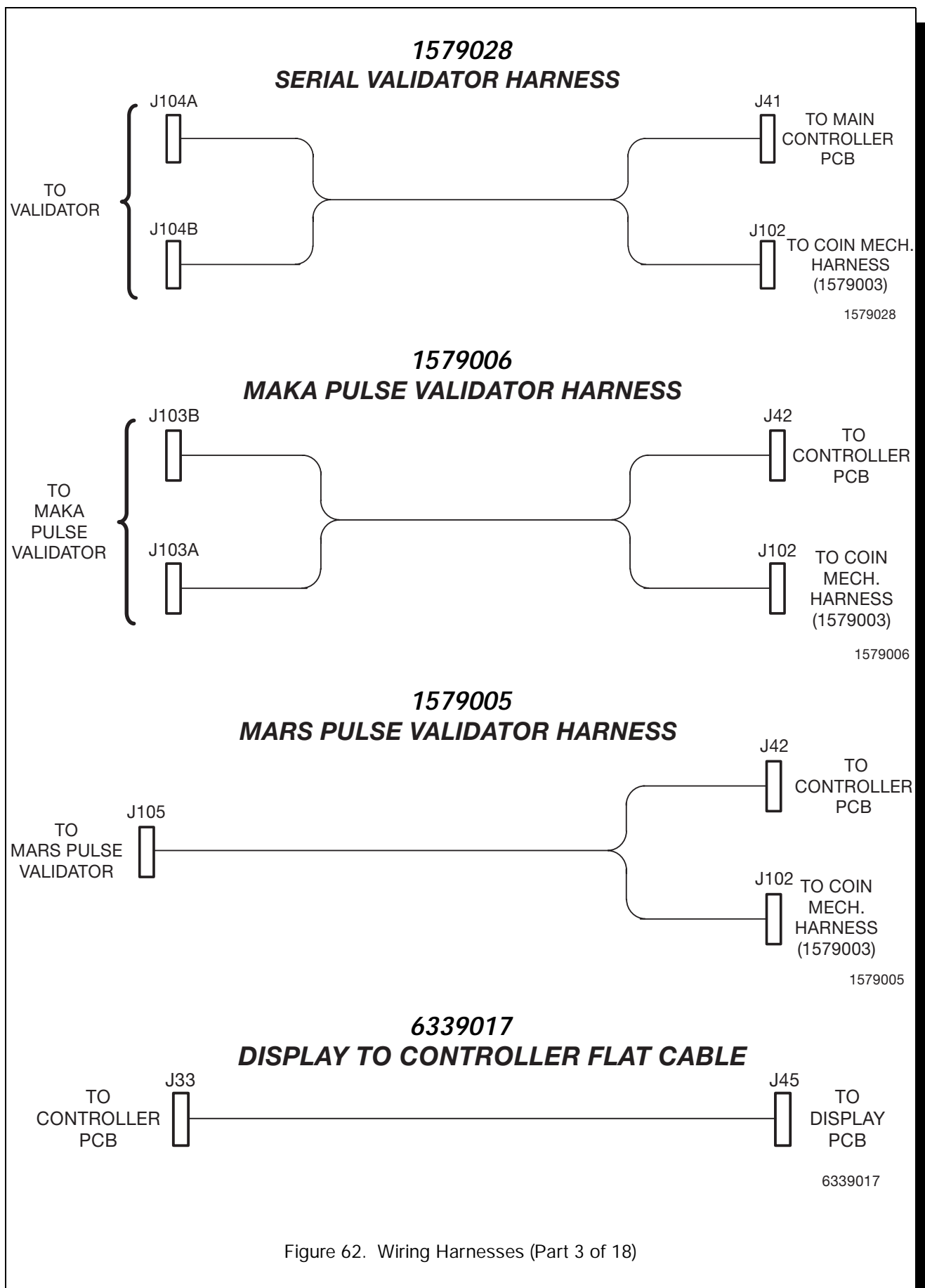
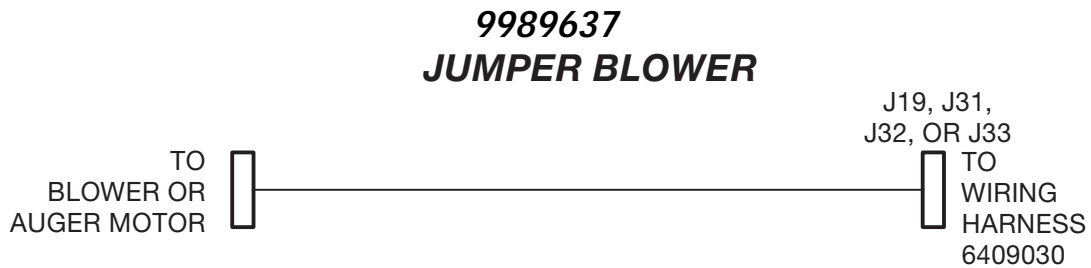
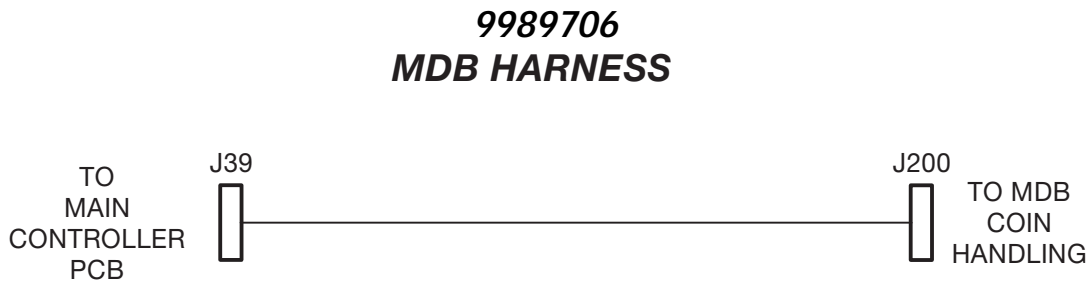
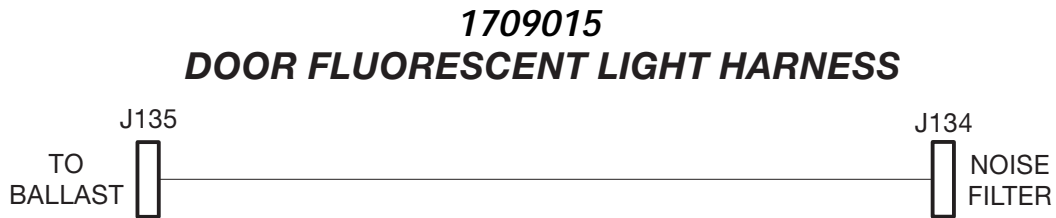
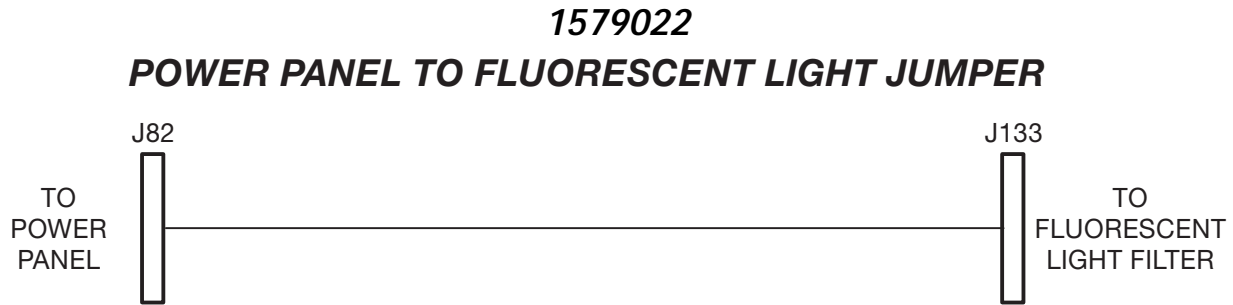
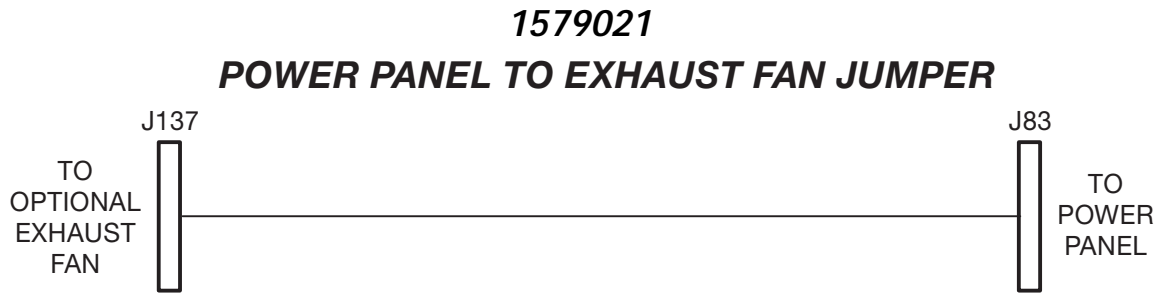


Figure 62. Wiring Harnesses (Part 3 of 18)

Snackcombo II Parts Manual



9989637

Figure 62. Wiring Harnesses (Part 4 of 18)

Snackcombo II Parts Manual

1579032 HARNESS - SERIAL VALIDATORS -24 VOLTS



9989718 24V VALIDATOR JUMPER



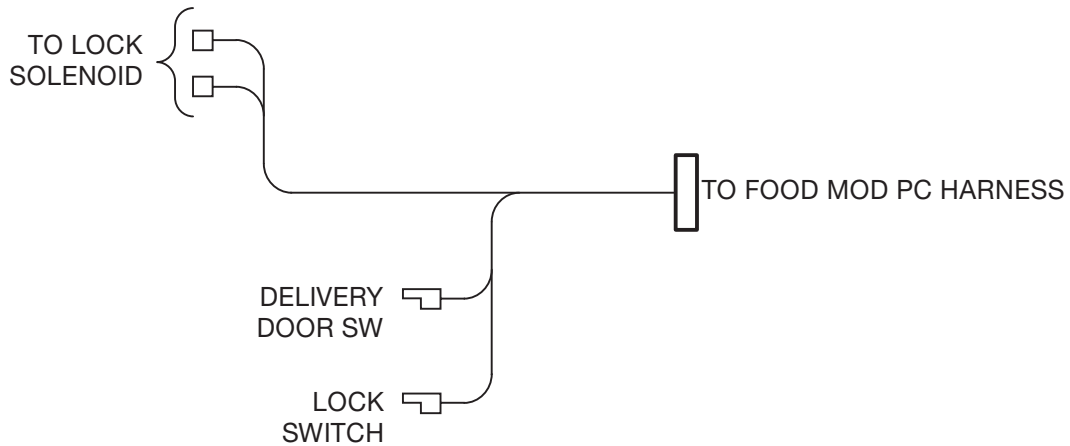
4849004 JUMPER - INTERLOCK - DOMESTIC



Figure 62. Wiring Harnesses (Part 5 of 18)

Snackcombo II Parts Manual

4849027 DELIVERY PAN LOCK SOLENOID HARNESS



4849027

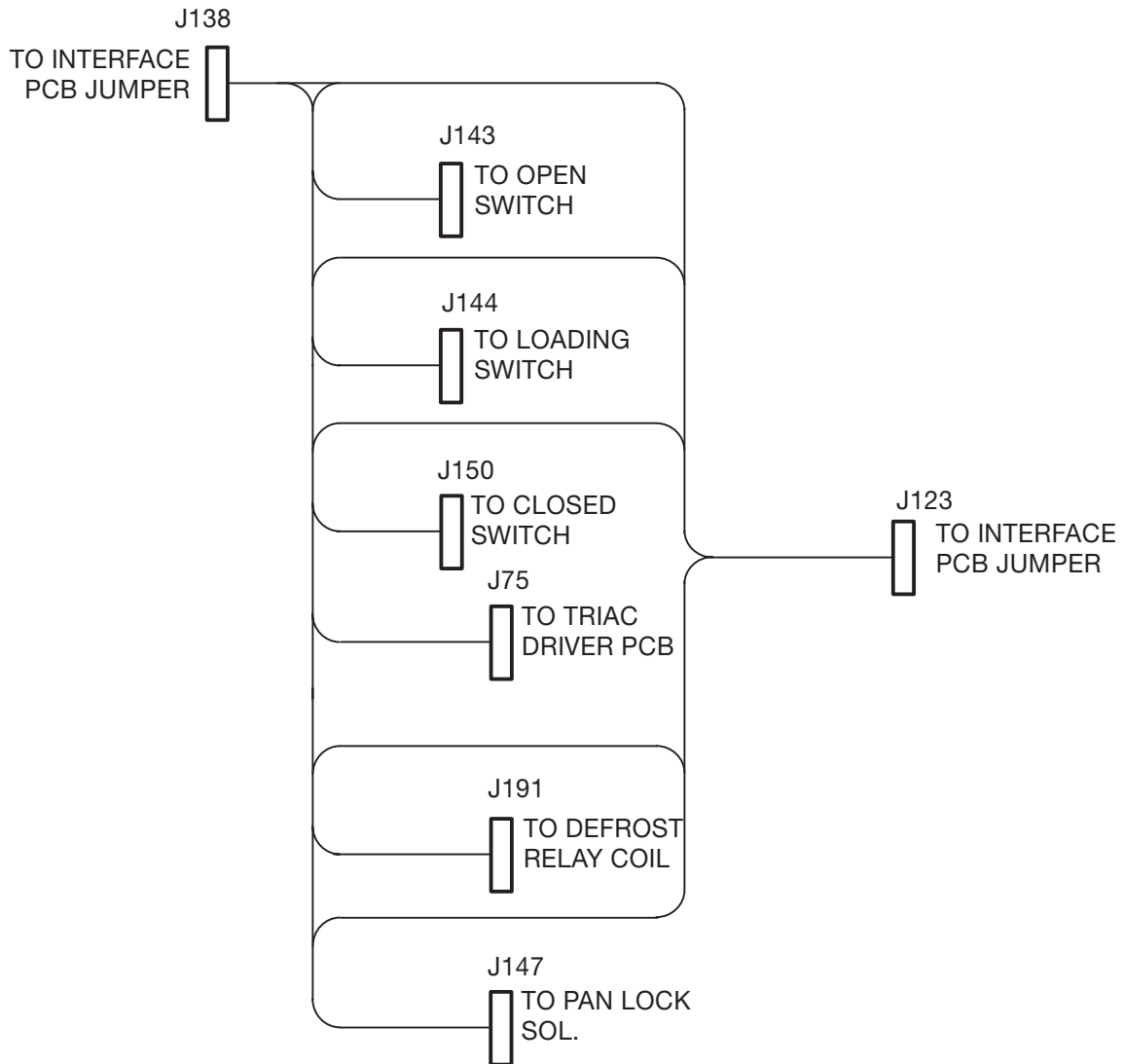
4849002 POWER PANEL TO COMPRESSOR JUMPER



Figure 62. Wiring Harnesses (Part 6 of 18)

Snackcombo II Parts Manual

4979008 HARNESS - FOOD/FRZN MOD. - DC

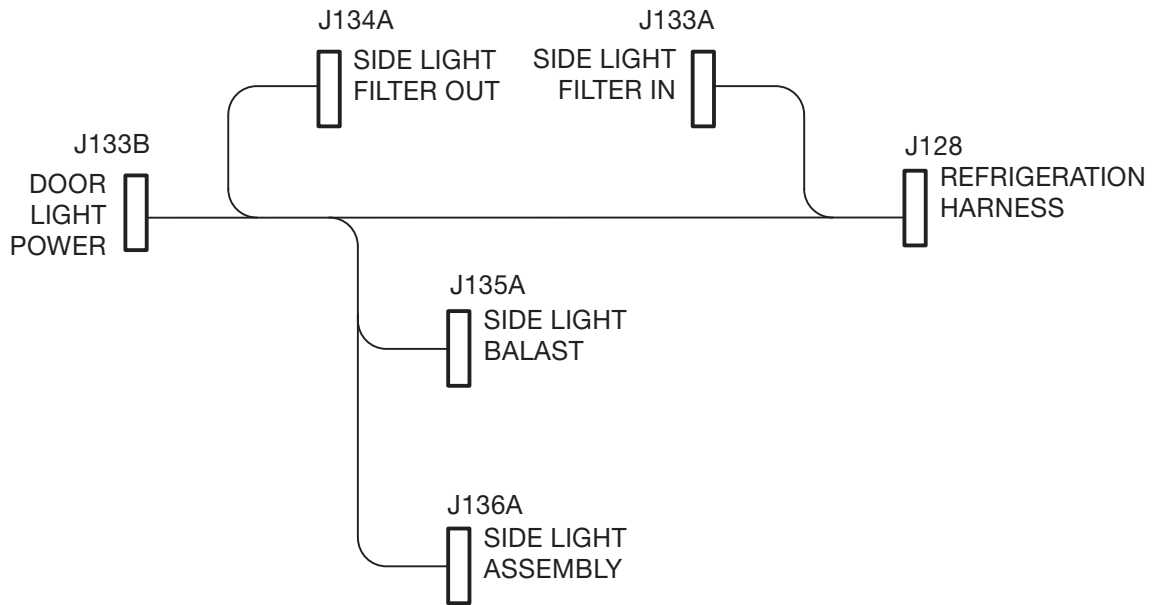


4979008

Figure 62. Wiring Harnesses (Part 7 of 18)

Snackcombo II Parts Manual

4979009 SIDE PANEL & DOOR FLUORESCENT LIGHT HARNESS



4979009

Figure 62. Wiring Harnesses (Part 8 of 18)

Snackcombo II Parts Manual

4979007 POWER PANEL AC HARNESS

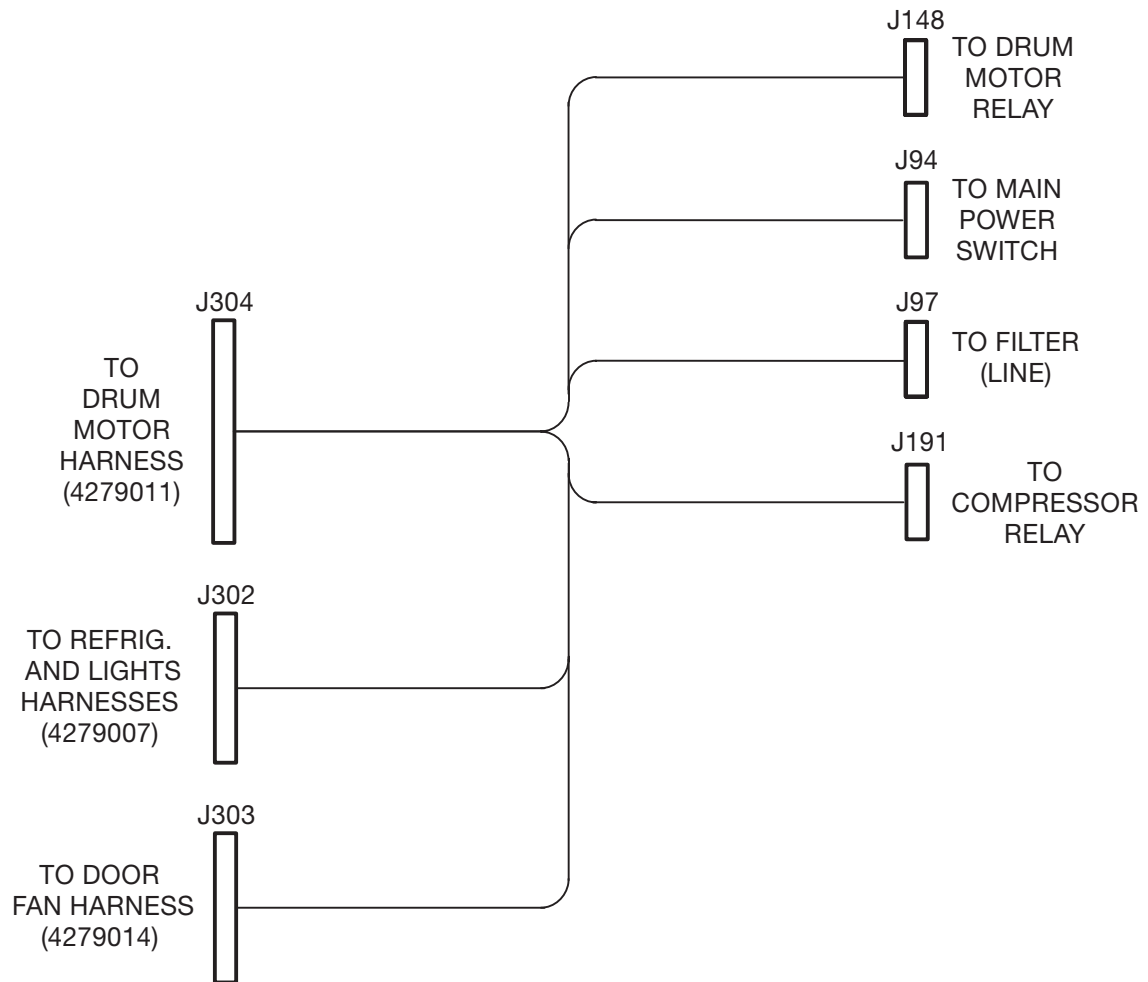
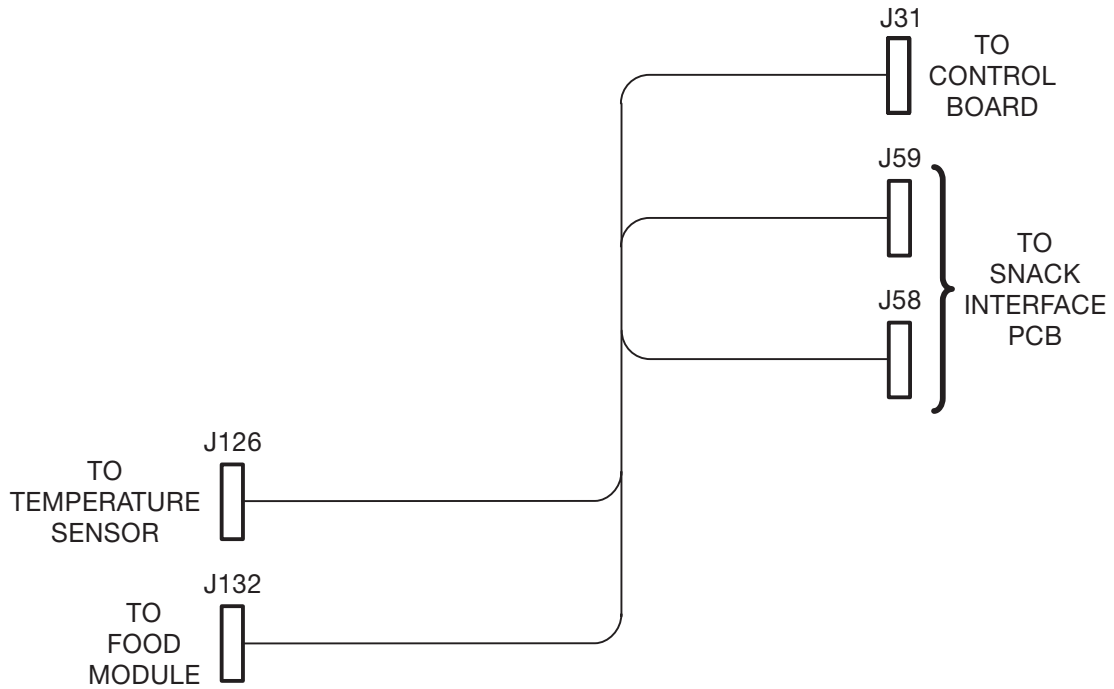


Figure 62. Wiring Harnesses (Part 9 of 18)

Snackcombo II Parts Manual

4849014 FOOD MODULE TO PCB HARNESS



4849008 FOOD MODULE FLUORESCENT LIGHT HARNESS

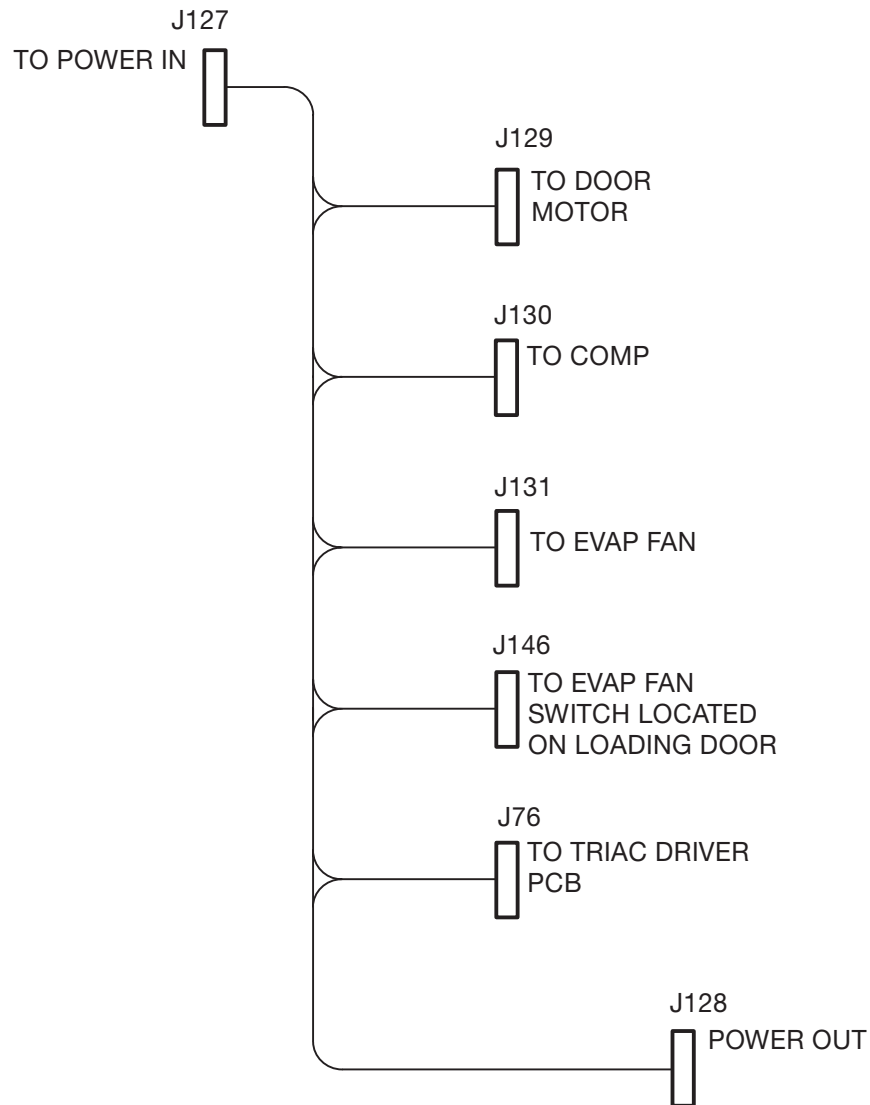


4849008

Figure 62. Wiring Harnesses (Part 10 of 18)

Snackcombo II Parts Manual

4849022 HARNESS - FOOD MOD. COMP.

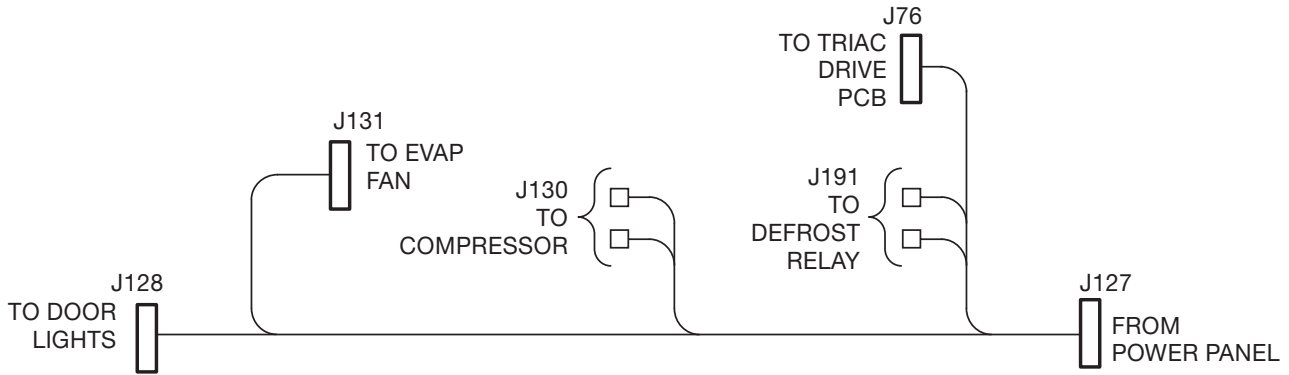


4849022

Figure 62. Wiring Harnesses (Part 11 of 18)

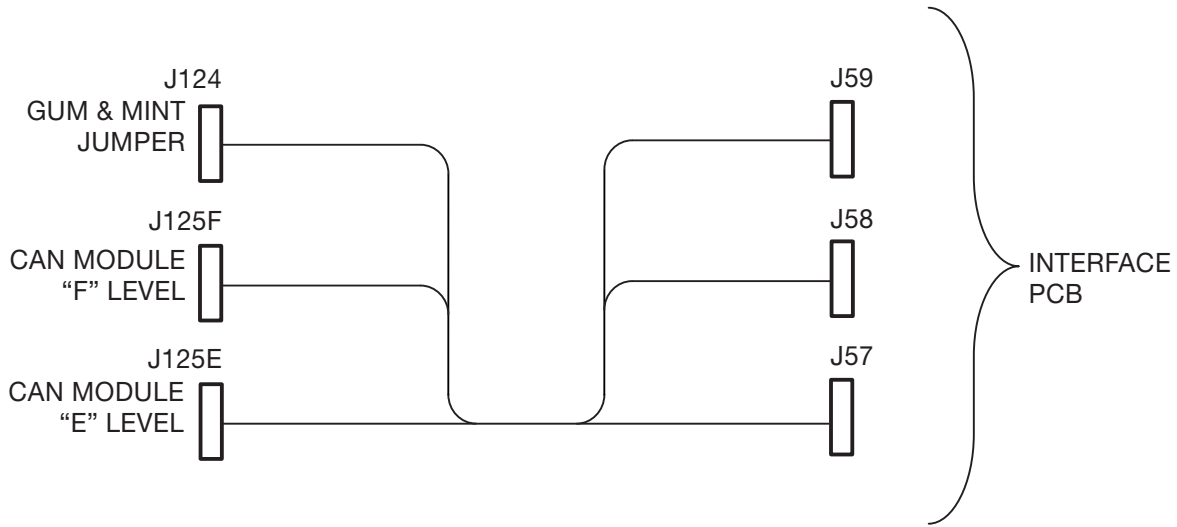
Snackcombo II Parts Manual

4849025 CAN/CHILLER COMPRESSOR HARNESS



4849025

4974023 JUMPER - CAN, GUM & MINT



4974023

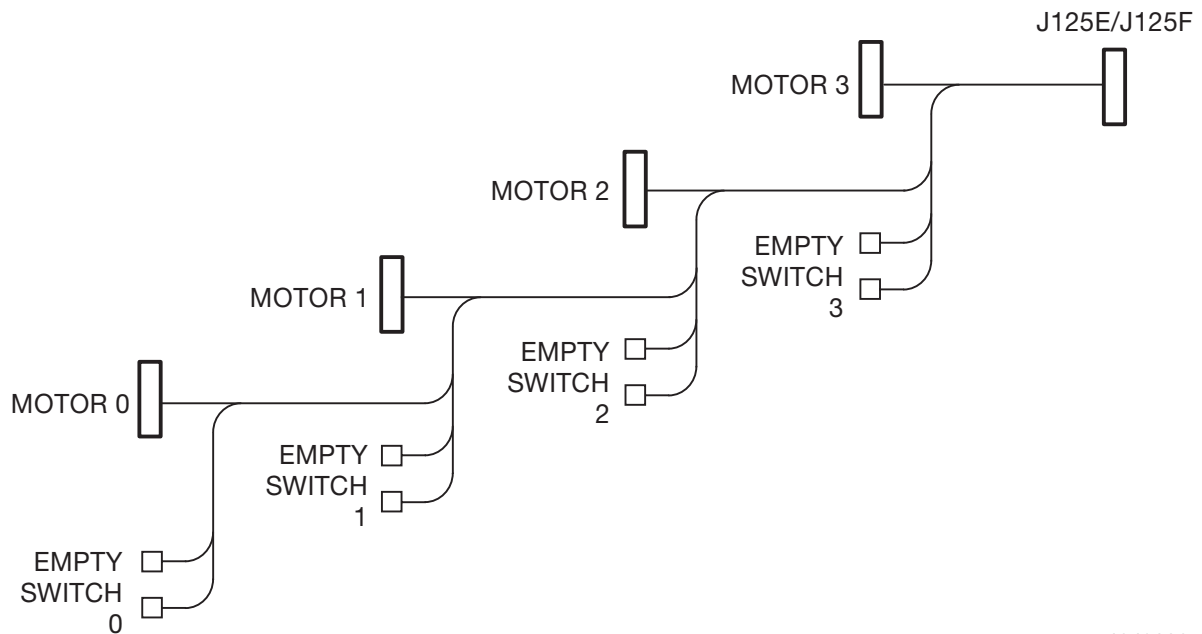
Figure 62. Wiring Harnesses (Part 12 of 18)

Snackcombo II Parts Manual

4849020 TEMPERATURE SENSOR & COMPRESSOR HARNESS



4849028 HARNESS - CAN EJECTORS



4849028

4849003 COMPRESSOR TO FLUORESCENT LIGHT JUMPER



Figure 62. Wiring Harnesses (Part 13 of 18)

Snackcombo II Parts Manual

6339000 INTERLOCK TO EXHAUST HARNESS



4402010 FLAT CABLE ASSEMBLY



1451124 SUPPRESSION NETWORK ASSEMBLY

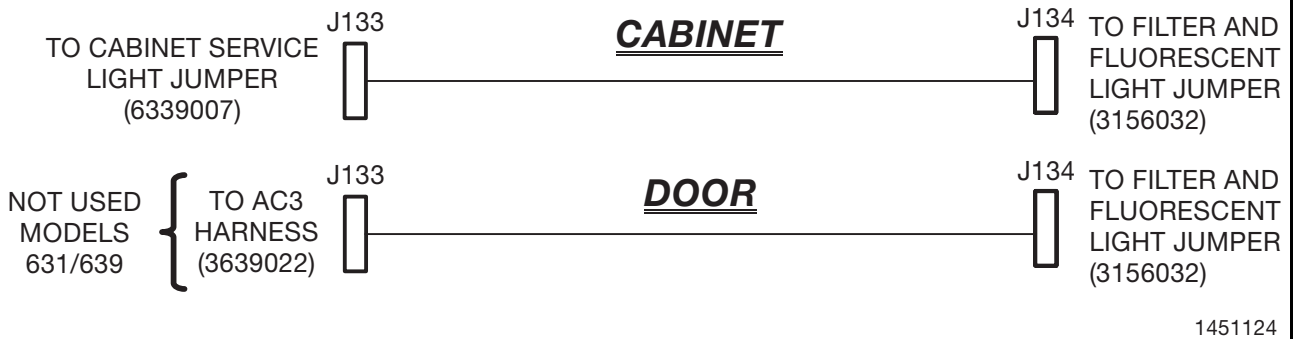


Figure 62. Wiring Harnesses (Part 14 of 18)

Snackcombo II Parts Manual

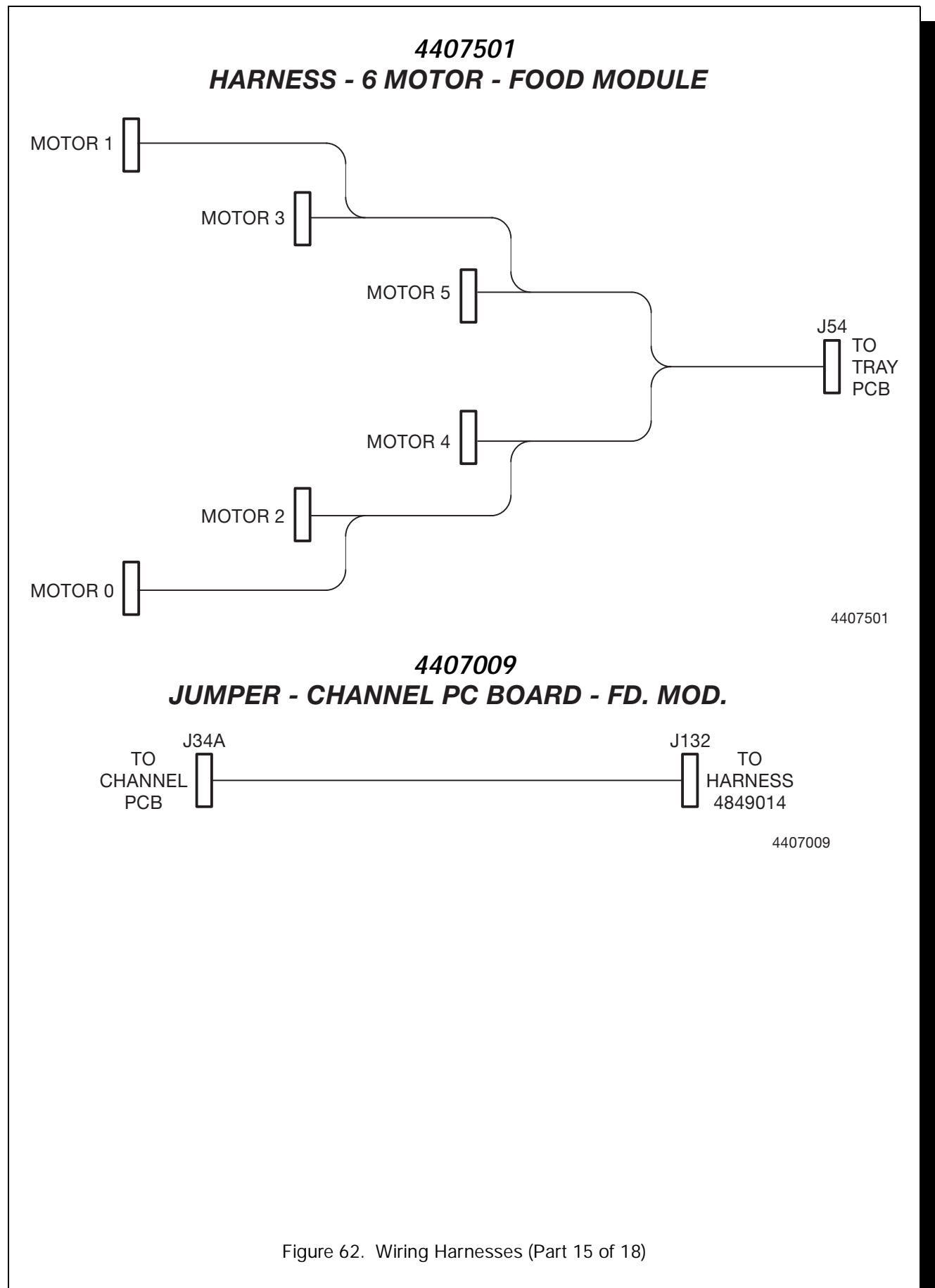
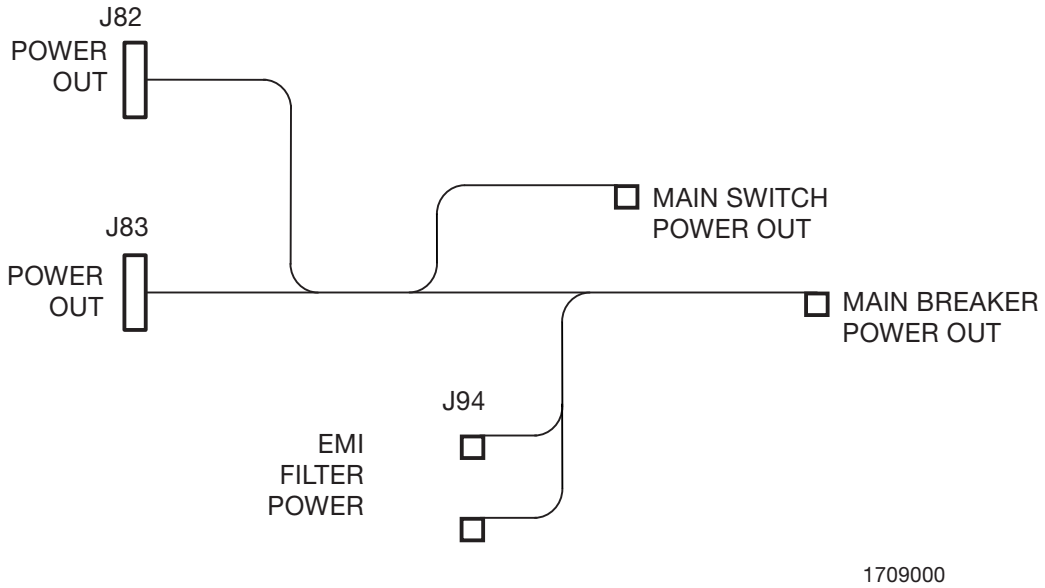


Figure 62. Wiring Harnesses (Part 15 of 18)

Snackcombo II Parts Manual

1709000 HARNESS - POWER PANEL



9989712

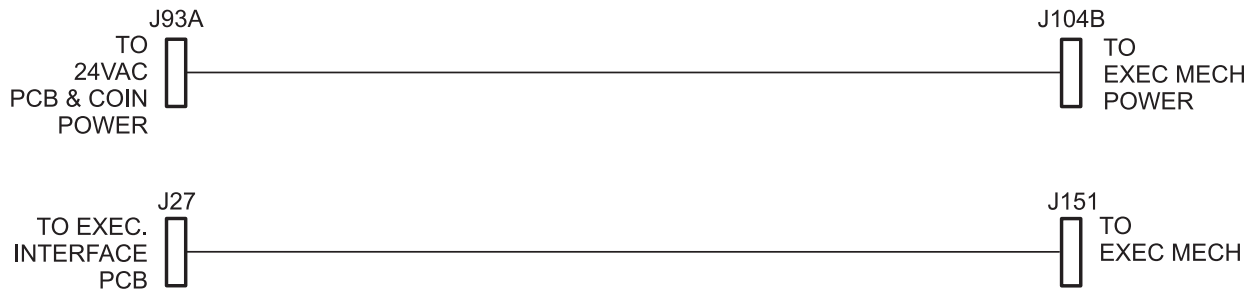


Figure 62. Wiring Harnesses (Part 16 of 18)

Snackcombo II Parts Manual

1709001 120V XFMR PRIMARY JUMPER

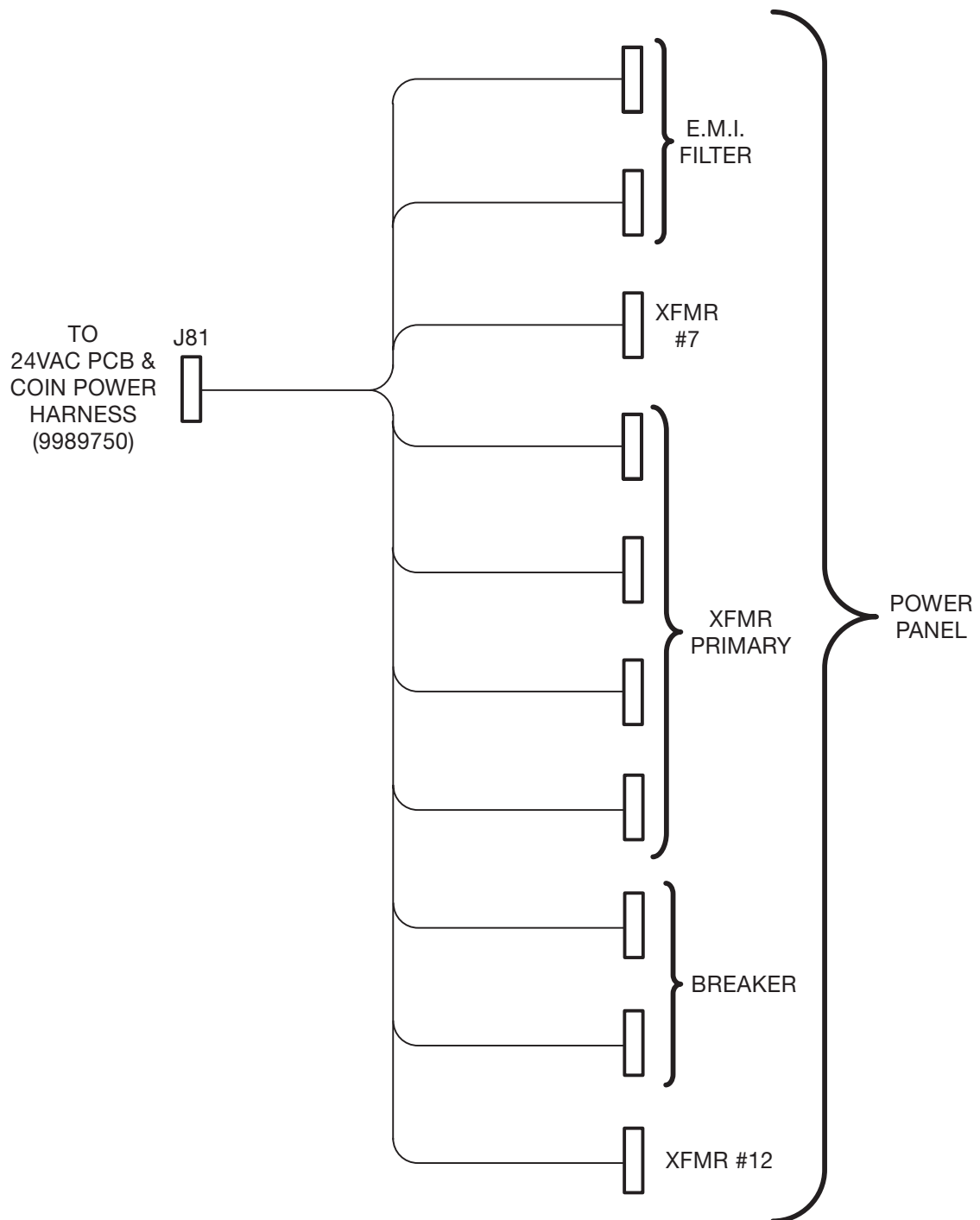
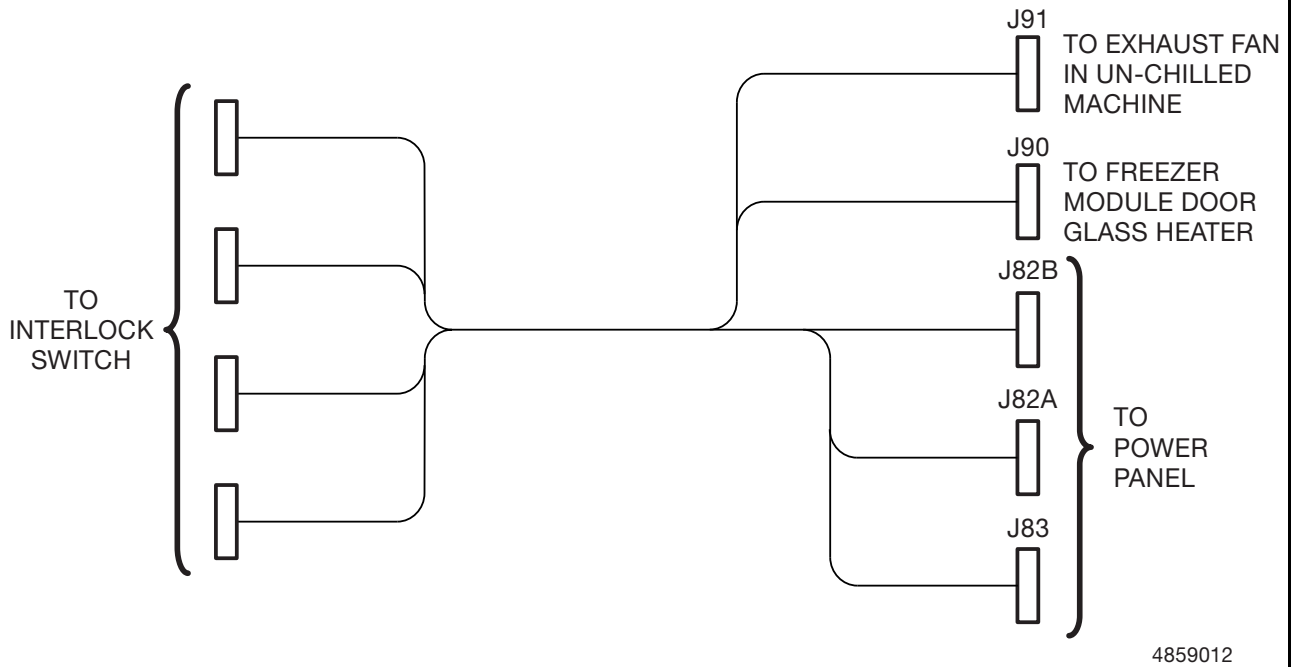


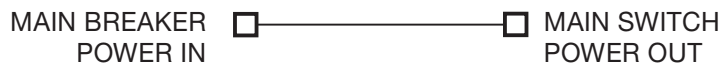
Figure 62. Wiring Harnesses (Part 17 of 18)

Snackcombo II Parts Manual

4859012 JUMPER - INTERLOCK - 230V



1709006 JUMPER - BREAKER POWER



170900

Figure 62. Wiring Harnesses (Part 18 of 18)